

Concealed Trapway Estate® Chair Height® Elongated Toilet with Seat

- 240AA704**
 - Vitreous china
 - Meets definition for HET (High Efficiency Toilet)
 - High efficiency (4.8 Lpf/1.28 gpf)
 - Meets EPA WaterSense® criteria
 - 305mm (12") rough-in
 - 16-1/2" rim height for accessible applications
 - EverClean® surface inhibits the growth of stain- and odor-causing bacteria, mold, and mildew on the surface
 - Elongated siphon action jetted bowl with smooth-sided, concealed trapway
 - Generous 9" x 8" water surface area
 - PowerWash® rim scrubs bowl with each flush
 - 3" flush valve
 - Chrome trip lever
 - Includes top mount, slow-close seat and cover with easy lift-off feature for cleaning
 - 2 color-matched bolt hole covers
 - Lifetime warranty on chinaware, 5 year warranty on all mechanical parts, and 1 year warranty on seat
 - Coordinates with Estate® Suite of fixtures
 - Available Exclusively at Ferguson® Showrooms



SEE REVERSE FOR ROUGHING-IN DIMENSIONS

- 3193A.100** Chair Height Elongated Bowl with Seat
- 4000.704** Tank
- 5024A.65G** Slow-Close Seat Packed with Bowl

Nominal Dimensions:

30-1/4" x 15-13/16" x 30-11/16"
(769 x 401 x 780 mm)

Fixture and toilet seat only, supply by others

Compliance Certifications -

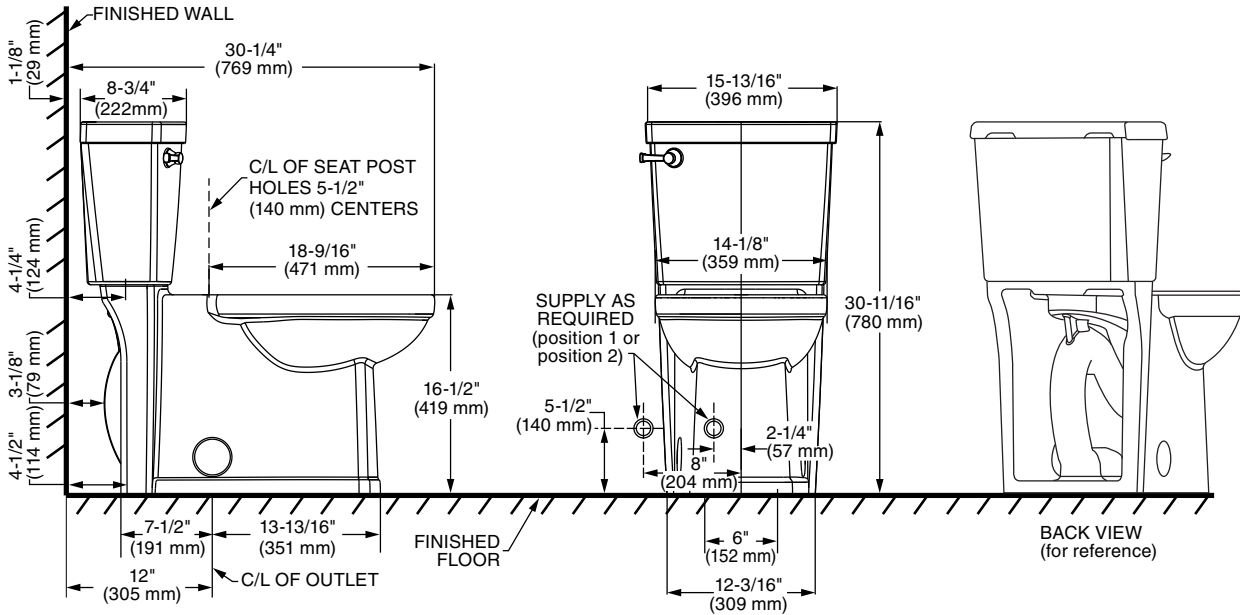
Meets or Exceeds the Following Specifications:

- ASME A112.19.2/CSA B45.1 for Vitreous China Fixtures
- US EPA WaterSense® Specification for HETs

To Be Specified:

- Color: White
- Supply with stop:





NOTES:

THIS COMBINATION IS DESIGNED TO ROUGH-IN AT A MINIMUM DIMENSION OF 305MM (12") FROM FINISHED WALL TO C/L OF OUTLET.

* DIMENSIONS SHOWN FOR LOCATION OF SUPPLY ARE SUGGESTED.

SUPPLY NOT INCLUDED WITH FIXTURE AND MUST BE ORDERED SEPARATELY.

IMPORTANT: Dimensions of fixtures are nominal and may vary within the range of tolerance established by ANSI Standard A112.19.2. These measurements are subject to change or cancellation. No responsibility is assumed for use of superseded or voided pages.

ADA MEETS THE AMERICANS WITH DISABILITIES ACT GUIDELINES
AND ANSI A117.1 REQUIREMENTS FOR ACCESSIBLE AND
USEABLE BUILDING FACILITIES-CHECK LOCAL CODES.