

Priolo® FloWise® 16-1/2" Height Elongated Flushometer Toilet with EverClean®

- Floor mount elongated rear outlet flushometer valve toilet
- Vitreous china
- High Efficiency, Low Consumption. Operates in the range of 1.1 gpf to 1.6 gpf (4.2 Lpf to 6.0 Lpf)
- Meets definition of HET (High Efficiency Toilet) when used with a high efficiency flush valve (1.28 gpf or 1.6 / 1.1 gpf dual flush)
- Permanent EverClean® surface inhibits the growth of stain- and odor-causing bacteria, mold, and mildew on the surface
- 16-1/2" rim height for accessible application
- Condensation channel
- Powerful direct-fed siphon jet action
- Fully glazed 2-1/8" trapway
- 1-1/2" inlet spud
- 4 bolt caps

- 3695.001** Elongated bowl only, top spud
- 3696.001** Elongated bowl only, top spud with slotted rim for bedpan holding
- 3697.001** Elongated bowl only, back spud

System MaP* Score:

- 1,000 grams of miso @ 1.6 gpf or 1.28 gpf when used with an American Standard flush valve
- * Maximum Performance (MaP) testing performed by IAPMO R&T Lab. MaP Report conducted by Veritec Consulting, Inc. and Koeller and Company.

Component Parts:

- 047007-0070A** Inlet spud (furnished with bowl)
- 481310.0200A** Bolt caps with retainers (furnished with bowl)

Nominal Dimensions:

752 x 356 x 419mm
(29-5/8" x 14" x 16-1/2")

Recommended working pressure—between 25 psi at valve when flushing and 80 psi static

Fixture only, less seat and flushometer valve

Compliance Certifications -

Meets or Exceeds the Following Specifications:


- ASME A112.19.2 /CSA B45.1 for Vitreous China Fixtures



SEE REVERSE FOR ROUGHING-IN DIMENSIONS

To Be Specified:

- Color: White
- Seat:
 - American Standard #5901.110 Heavy duty open front less cover with EverClean® surface
 - American Standard #5905.110 Extra heavy duty open front less cover with EverClean® surface
- Alternative Seat:
- Flushometer Valve:
 - 1.6 gpf:
 - Sensor-Operated: American Standard Selectronic® DC Power #6065.161.002 (Top Spud)
 - Sensor-Operated: American Standard Selectronic® AC Power #6067.262.002 (Back Spud)
 - Manual: American Standard #6047.161.002 (Top Spud)
 - 1.28 gpf:
 - Sensor-Operated: American Standard Selectronic® DC Power #6065.121.002 (Top Spud)
 - Sensor-Operated: American Standard Selectronic® AC Power #6067.222.002 (Back Spud)
 - Manual: American Standard #6047.121.002 (Top Spud)
 - 1.6 / 1.1 gpf Dual Flush:
 - Sensor-Operated: American Standard Selectronic® DC Power #6065.761.002 (Top Spud)

 MEETS THE AMERICANS WITH DISABILITIES ACT GUIDELINES AND ANSI A117.1 REQUIREMENTS FOR ACCESSIBLE AND USABLE BUILDING FACILITIES - CHECK LOCAL CODES.



When used with 1.28 gpf toilet flush valves



ADA COMPLIANT

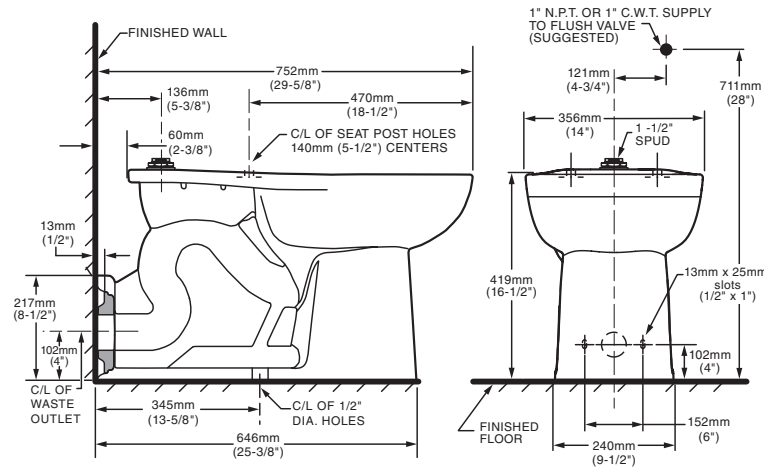


EVERCLEAN



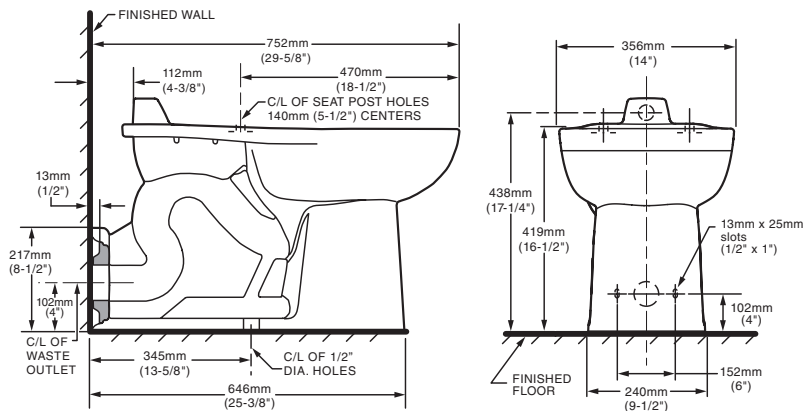
WATER EFFICIENT

3695.001/3696.001



DIMENSIONS (Nominal) NOTE: Distance from floor to closet flange centerline (rough-in) must be 4" (102 mm) with flange surface flush to 1/16" (1.6mm) max. beyond finished wall.

3697.001



DIMENSIONS (Nominal) NOTE: Distance from floor to closet flange centerline (rough-in) must be 4" (102 mm) with flange surface flush to 1/16" (1.6mm) max. beyond finished wall.

NOTES:

PRODUCTS 3695 SHOWN, 3696 SAME AS EXCEPT WITH SLOTTED RIM FOR BED PAN HOLDING.

TO COMPLY WITH AREA CODE GOVERNING THE HEIGHT OF VACUUM BREAKER ON THE FLUSHOMETER VALVE, THE PLUMBER MUST VERIFY DIMENSIONS SHOWN FOR SUPPLY ROUGHING.

FLUSHOMETER VALVE NOT INCLUDED WITH FIXTURE AND MUST BE ORDERED SEPARATELY. FLUSHOMETER VALVE REQUIREMENTS FOR 12" (305MM) ROUGH-IN: SWEAT EXTENSION NIPPLE IS REQUIRED. REFER TO VALVE MANUFACTURER AND LOCAL CODES.

IMPORTANT: Dimensions of fixtures are nominal and may vary within the range of tolerances established by ANSI Standard A112.19.2. These measurements are subject to change or cancellation. No responsibility is assumed for use of superseded or voided pages.