

INSTALLATION INSTRUCTIONS

COMMERCIAL SHOWER SYSTEM KITS:

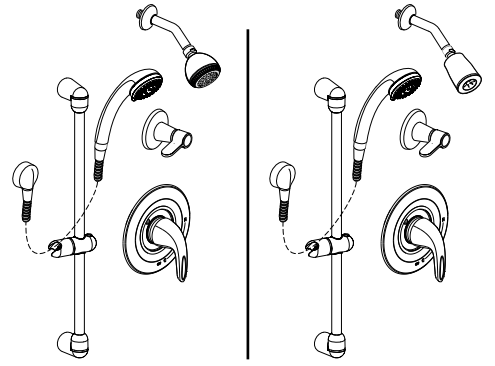
1.5 gpm & 2.5 gpm

TU662.223
TU662.213

Thank you for selecting American Standard...
the benchmark of fine quality for over 140 years.

To ensure that your installation proceeds smoothly-please read
these instructions carefully before you begin.

Installation must conform to all local building codes.

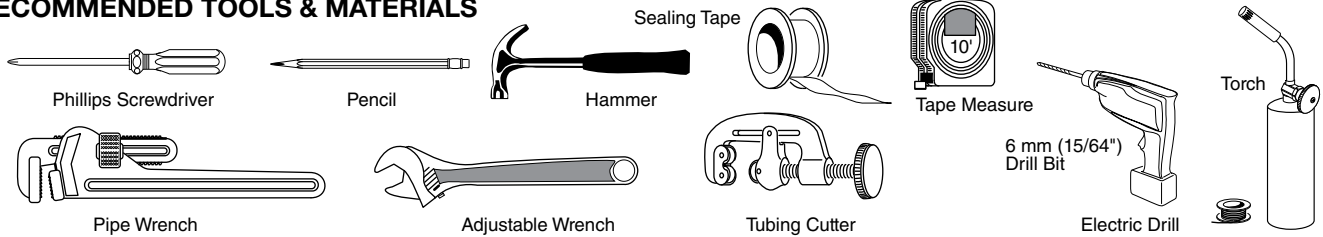


TU662.223
2.5 GPM

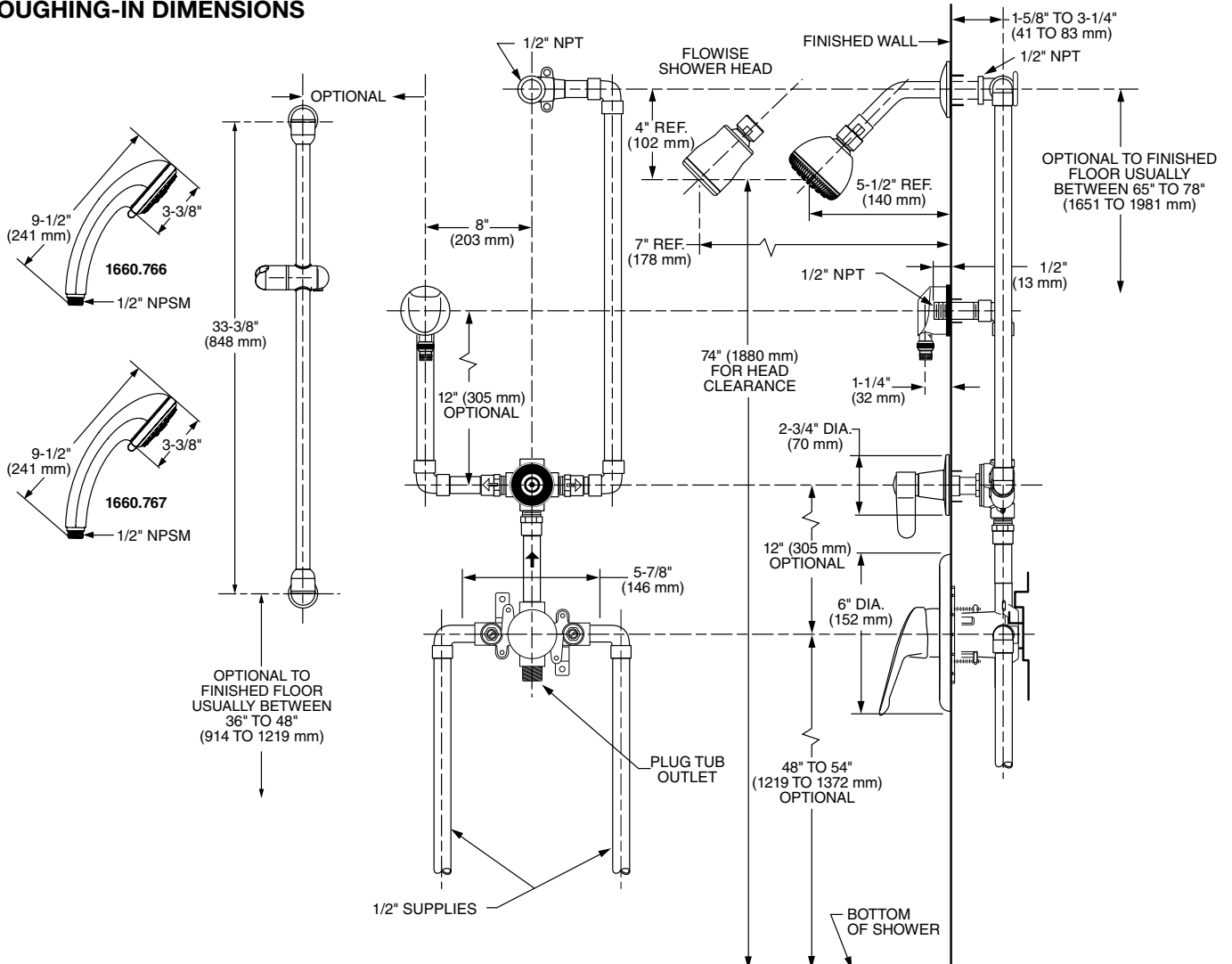
TU662.213
1.5 GPM

Certified to comply with ANSI A112.18.1

RECOMMENDED TOOLS & MATERIALS



ROUGHING-IN DIMENSIONS



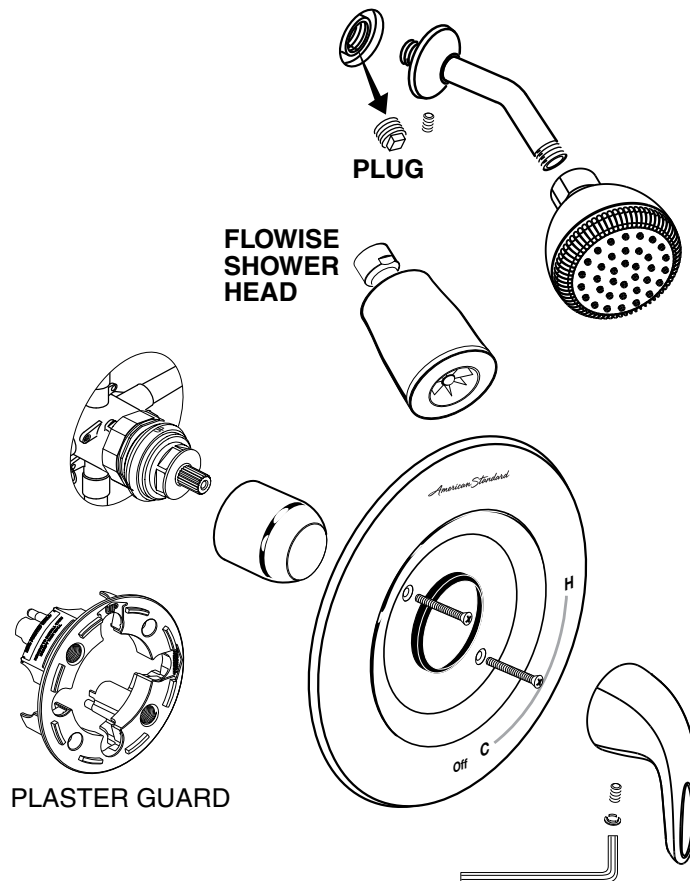
1 MAKE ALL CONCEALED PIPING CONNECTIONS

- See Roughing-in diagram before starting.
- Make Hot and Cold supply connections to the VALVE BODY. Inlet and outlet connections to the valve body are 1/2" copper sweat.
- Make Tub Filler connection from DIVERTER. (Use the port with the BATH TUB picture). DIVERTER IS 1/2" NPT. TUB SPOUT connection is 1/2" copper for SLIP-ON SPOUT.
- Make the connections for the HAND SHOWER. The HAND SHOWER connections are 1/2" NPT.
- For support, use PIPE BRACES secured to wooden braces. Cap off HAND SHOWER and TUB SPOUT FILLER PIPE. With the R120SS VALVE turned off, turn on water supplies. Check for leaks.
- Finish all wall construction.

2 INSTALL VALVE TRIM AND TUB SPOUT

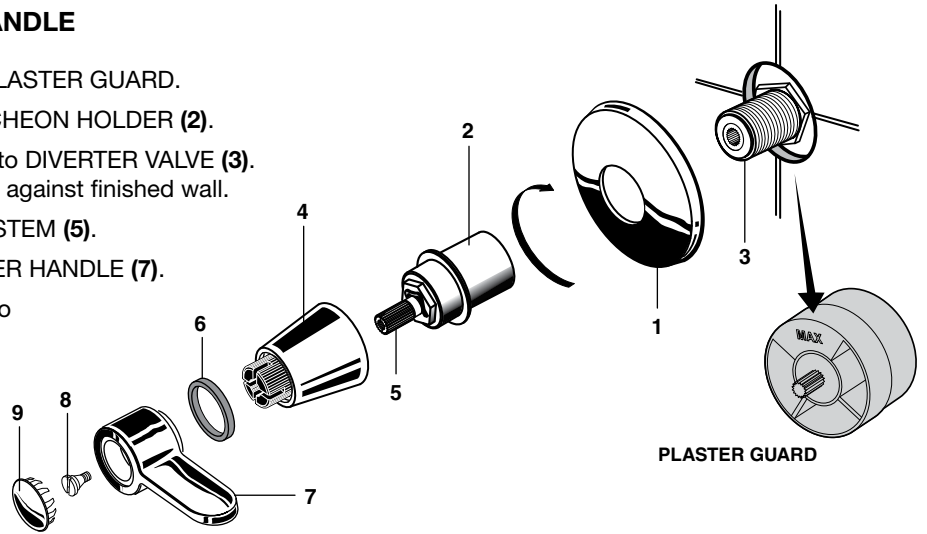
NOTE: REFER TO INSTALLATION INSTRUCTIONS (M965937) SUPPLIED WITH VALVE TRIM KIT FOR COMPLETE INSTALLATION AND REPAIR PART INFORMATION.

- When finished tiling the wall, remove PLASTER GUARD.
- Remove plug from shower pipe.



3 INSTALL DIVERTER TRIM AND HANDLE

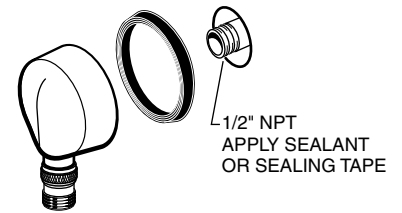
- When finished tiling the wall, remove PLASTER GUARD.
- Place ESCUTCHEON (1) onto ESCUTCHEON HOLDER (2).
- Thread ESCUTCHEON HOLDER (2) onto DIVERTER VALVE (3). Tighten until ESCUTCHEON (1) is snug against finished wall.
- Install HANDLE SKIRT (4) onto VALVE STEM (5).
- Push DECORATIVE RING (6) onto LEVER HANDLE (7).
- Align LEVER HANDLE (7) and push onto HANDLE SKIRT (4). Install HANDLE SCREW (8) and tighten.
- Push INDEX CAP (9) into LEVER HANDLE (7).



4 INSTALL WALL SUPPLY

NOTE: REFER TO INSTALLATION INSTRUCTIONS (M968637) SUPPLIED WITH WALL SUPPLY FOR COMPLETE INSTALLATION AND REPAIR PART INFORMATION.

- Supply to WALL SUPPLY is 1/2" NPT. See rough-in above for detailed information.
- Apply sealant or sealing tape to threads of 1/2" NPT supply nipple.

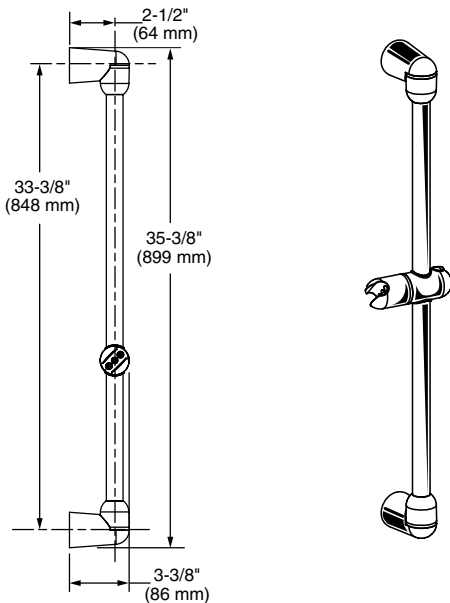


5 INSTALL HAND SHOWER SLIDE BAR

NOTE: REFER TO INSTALLATION INSTRUCTIONS (M968637) SUPPLIED WITH SHOWER SYSTEM KIT FOR COMPLETE INSTALLATION AND REPAIR PART INFORMATION.

WARNING: NOT DESIGNED TO BE A GRAB BAR.

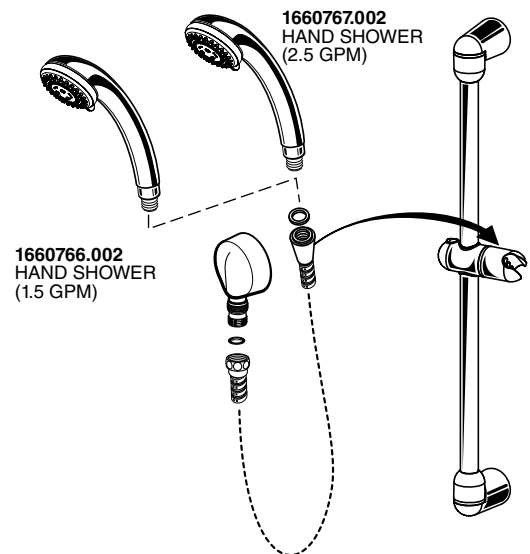
- The height and location of the SLIDE BAR is optional. It can be installed to the right or left side of the R120SS VALVE.



6 INSTALL HOSE AND HAND SHOWER TEST SHOWER SYSTEM

NOTE: REFER TO INSTALLATION INSTRUCTIONS (M968637) SUPPLIED WITH SHOWER SYSTEM KIT FOR COMPLETE INSTALLATION AND REPAIR PART INFORMATION.

- Place the HAND SHOWER into the SLIDE BAR after all hose connections are made. The installation of the SHOWER SYSTEM KIT is now complete.
- Turn on water supplies and check all functions of the SHOWER SYSTEM KIT. Check for any leaks.



CARE INSTRUCTIONS:

DO: SIMPLY RINSE THE PRODUCT CLEAN WITH CLEAR WATER. DRY WITH A SOFT COTTON FLANNEL CLOTH.

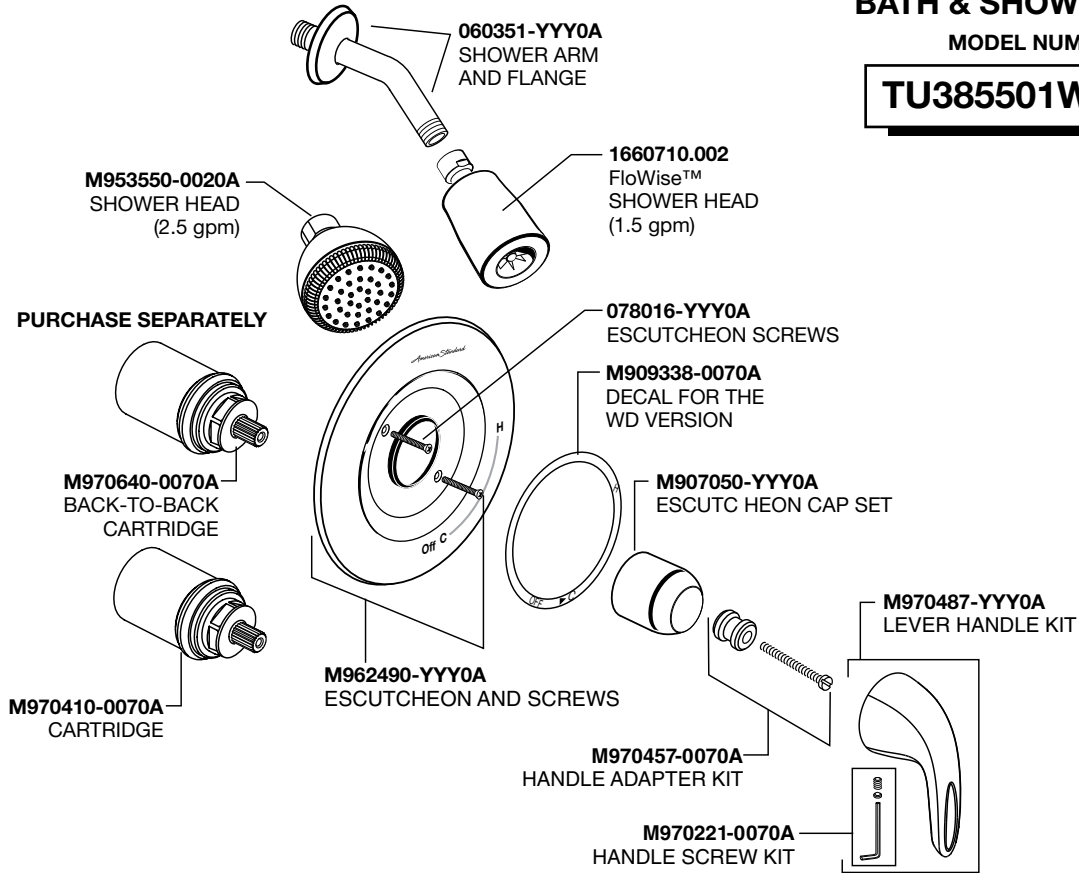
DO NOT: DO NOT CLEAN THE PRODUCT WITH SOAPS, ACID, POLISH, ABRASIVES, HARSH CLEANERS, OR A CLOTH WITH A COARSE SURFACE.

American Standard

RELIANT 3 PRESSURE BALANCING BATH & SHOWER TRIM

MODEL NUMBER

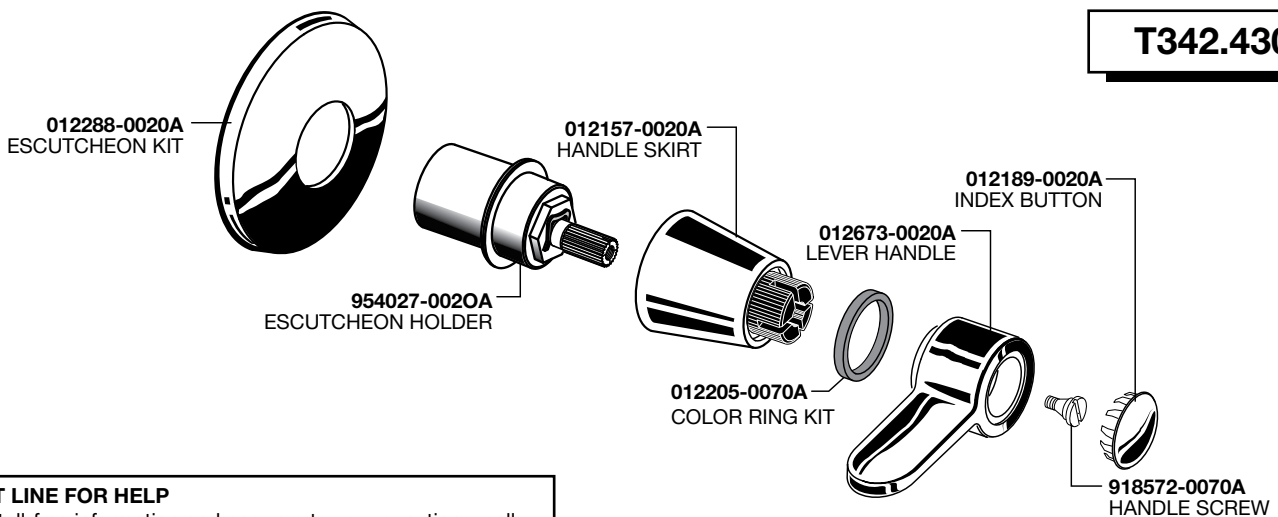
TU385501WDHX



HERITAGE HANDLE DIVERTER TRIM

MODEL NUMBER

T342.430



HOT LINE FOR HELP

For toll-free information and answers to your questions, call:

1 (800) 442-1902

Mon. - Fri. 8:00 a.m. to 8:00 p.m. EST

Saturday 10:00 a.m. to 4:00 p.m. EST

IN CANADA 1-800-387-0369

(TORONTO 1-905-306-1093)

Weekdays 8:00 a.m. to 7:00 p.m. EST

IN MEXICO 01-800-839-1200



PART OF **LIXIL**

American Standard

3-FUNCTION HAND SHOWER

PART NUMBER

1660.766.002

1660766.002
3 FUNCTION
HAND SHOWER
(1.5 GPM)

3-FUNCTION HAND SHOWER

PART NUMBER

1660.767.002

1660767.002
3 FUNCTION
HAND SHOWER
(2.5 GPM)

WALL SUPPLY

PART NUMBER

8888.037.002

8888037.002
WALL SUPPLY

M962520-0020A
CHECK VALVE

030782-0020A
HOSE KIT

M962506-0020A
SUPPORT BRACKET

36" SLIDE BAR

PART NUMBER

1660.236.002

M919211-0020A
36" SLIDE BAR

M962507-0020A
HAND SHOWER HOLDER

METAL HOSE

PART NUMBER

8888.035.002

M950105-0070A
HARDWARE KIT

M962506-0020A
SUPPORT BRACKET

HOT LINE FOR HELP

For toll-free information and answers to your questions, call:
1 (800) 442-1902

Mon. - Fri. 8:00 a.m. to 8:00 p.m. EST
Saturday 10:00 a.m. to 4:00 p.m. EST

IN CANADA 1-800-387-0369
(TORONTO 1-905-306-1093)

Weekdays 8:00 a.m. to 7:00 p.m. EST

IN MEXICO 01-800-839-1200



PART OF **LIXIL**