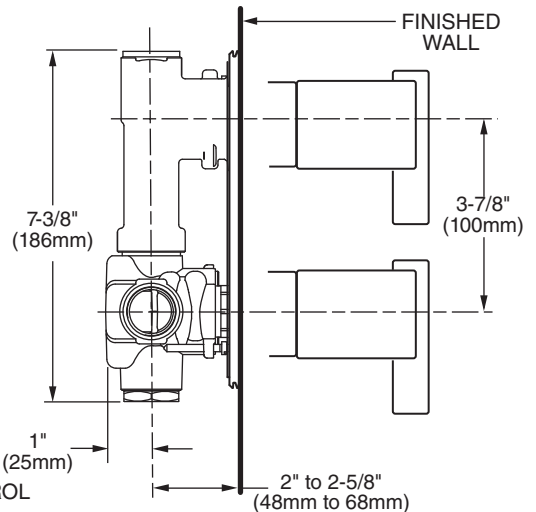


NOTE: FITTING
MUST BE INSTALLED
WITH VOLUME CONTROL
ON TOP.



GENERAL DESCRIPTION:

Cast brass valve body. The single unit contains two handles, the bottom lever handle sets the desired temperature and the top lever handle functions as an on/off, volume control. The temperature is maintained by a wax element moving a shuttle valve between hot and cold. The volume is controlled by twin ceramic disc valve cartridges. Ceratherm includes Hot Limit Safety Stop. Maximum temperature limit is 112°F. Escutcheon plate is stamped brass. Available with 1/2" or 3/4" NPT inlets and outlets. The valve has a high flow rate, ideal for multiple outlet installations.

PRODUCT FEATURES:

Brass Casting: Highest quality faucet material for durability & long life.

Wax Thermostatic Unit: Permits shuttle valve to move between the hot and cold seat to maintain the pre-selected constant water temperature.

Back to Back Capable: Hot and cold can be reversed.

Spring-Loaded Check Valves: When the hot and cold water enters the fitting, both supplies pass through the spring-loaded check valves to prevent cross flow of hot and cold water.

Integrated Stop Valves: Ensure easy cleaning and servicing.

Adjustable Hot Limit Safety Stop: Limits the amount of hot water allowed to mix with cold. Reduces the risk of accidental scalding. Maximum water temperature limit may be reduced to 104 or 109 degrees Fahrenheit.

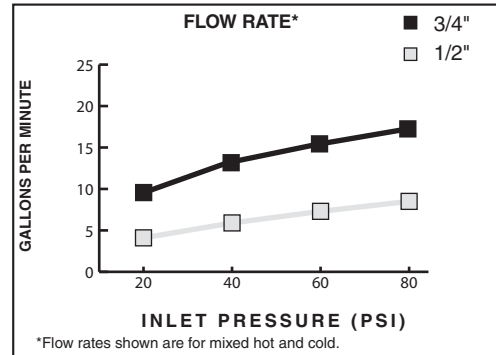
SUGGESTED SPECIFICATION:

Two handle Thermostat shall feature a cast brass valve body. Thermostat shall be a wax element shuttle valve. Shall also feature ceramic disc valving, 1/2" NPT or 3/4" NPT inlets and outlets. Fitting shall be American Standard Model # T184.740.____ (Trim Kit) and R52_ or R540 (Rough Valve).

CODES AND STANDARDS

These products meet or exceed the following codes and standards:

- ASSE 1016
- ASME A112.18.1
- CSA B125



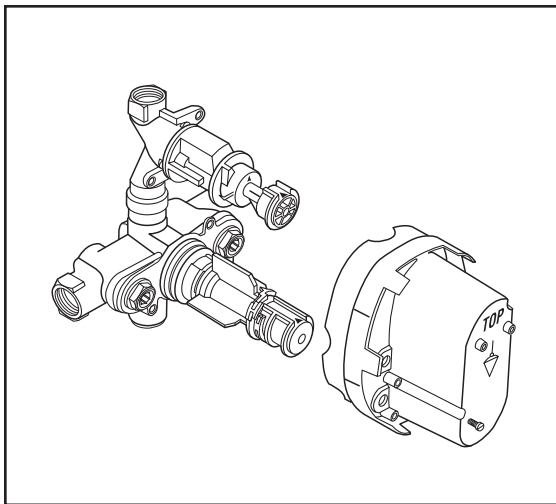
TRIM KITS**	Product Number	Description	Finish Options	
			Polished Chrome	PVD Satin Nickel
			002	295
T184.740*	Two-handle Thermostat Trim Kit with separate volume control.			

ROUGH VALVE BODIES	Product Number	Description
	R520*	Rough Valve Body less trim - 1/2" NPT Inlets/Outlets. With separate volume control only. LESS trim.
	R540*	Rough Valve Body less trim - 3/4" NPT Inlets/Outlets. With separate volume control only. LESS trim.
	R522	Rough Valve Body less trim - 1/2" NPT Inlets/Outlets. With separate volume control and built-in 2-way diverter. LESS trim.
	R523	Rough Valve Body less trim - 1/2" NPT Inlets/Outlets. With separate volume control and built-in 3-way diverter. LESS trim.

***NOTE:** When used as a Bath/Shower a separate diverter valve is required (such as R420 or R430).
Requires twin ell (must be ordered separately) for use with diverter spouts.

**** ROUGH & TRIM MUST BE ORDERED SEPARATELY.**

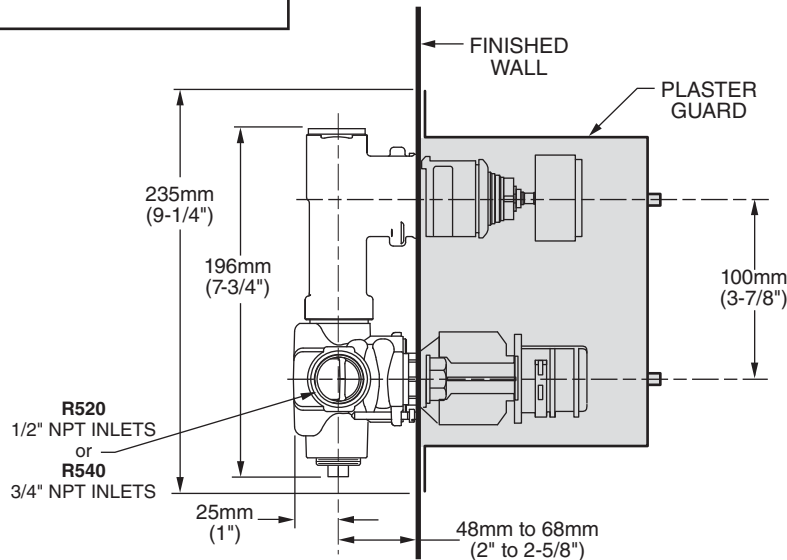
Meets the American Disabilities Act Guidelines and **ANSI A117.1** Requirements for the physically challenged.



MODEL NUMBER:

- R520 Rough Valve Body only**
 1/2" NPT inlets/outlets. With separate volume control.
 LESS Trim.
- R540 Rough Valve Body only**
 3/4" NPT inlets/outlets. With separate volume control.
 LESS Trim.

NOTE:
 • When used as a Bath/Shower:
 EITHER
 - a separate diverter valve (such as R420 or R430)
 OR
 - a diverter tub spout (requires twin ell)
 IS REQUIRED



GENERAL DESCRIPTION:

Cast brass valve body. The single unit contains two handles, the bottom handle sets the desired temperature and the metal top handle functions as an on/off, volume control. The temperature is maintained by a wax element moving a shuttle valve between hot and cold. The volume is controlled by twin ceramic disc valve cartridges. Ceratherm includes Hot Limit Safety Stop. Maximum temperature limit is 112°F. Available with 1/2" or 3/4" NPT inlets and outlets.

PRODUCT FEATURES:

- Brass Casting:** Highest quality faucet material for durability & long life.
- Wax Thermostatic Unit:** Permits shuttle valve to move between the hot and cold seats to maintain the pre-selected constant water temperature.
- Back to Back Capable:** Hot and cold can be reversed.
- Spring-Loaded Check Valves:** When the hot and cold water enters the fitting, both supplies pass through the spring-loaded check valves to prevent cross flow of hot and cold water.
- Integrated Stop Valves:** Ensure easy cleaning and servicing.
- Adjustable Hot Limit Safety Stop:** Limits the amount of hot water allowed to mix with cold. Reduces the risk of accidental scalding. Maximum water temperature limit may be reduced to 104 or 109 degrees Fahrenheit.


SUGGESTED SPECIFICATION:

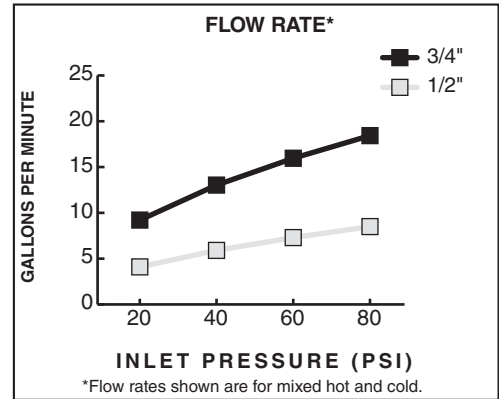
Two handle Thermostat shall feature a cast brass valve body. Thermostat shall be a wax element shuttle valve. Shall also feature ceramic disc valving, 1/2" NPT or 3/4" NPT inlets and outlets. Fitting shall be American Standard Model # R5_0.

CODES AND STANDARDS

These products meet or exceed the following codes and standards:

- ASSE 1016
- ASME A112.18.1
- CSA B125.1

 Meets the American Disabilities Act Guidelines and **ANSI A117.1** Requirements for the physically challenged.




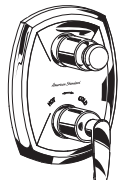





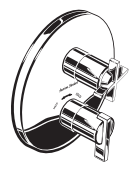

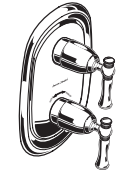




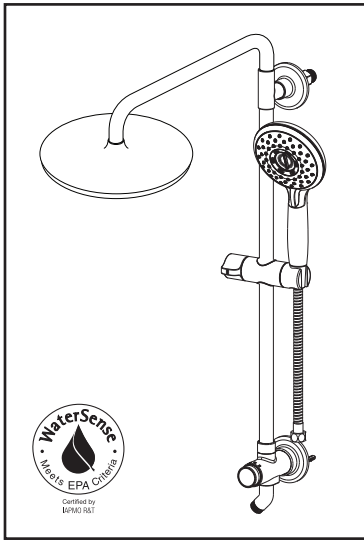
ROUGH VALVE BODIES **	Product Number	Description
	R520*	Rough Valve Body Less Trim - 1/2" NPT inlets/outlets
	R540*	Rough Valve Body Less Trim - 3/4" NPT inlets/outlets

NOTES:

- * When used as a Bath/Shower a separate diverter valve is required (such as R420 or R430). Requires Twin Ell for use with diverter spouts. Use one discharge port only. Plug is provided.
- ** ROUGH & TRIM MUST BE ORDERED SEPARATELY.

R520 and R540 will accept the following trims:

AVAILABLE TRIM KITS	Town Square®	Serin®	Green Tea®	Copeland™	Times Square™
					
	T555.740	T064.740 	T010.740 	T005.740	T184.740 
	Moments®	Berwick®	Portsmouth®	Quentin™	
					
	T506.740 	T430.740	T420.740	T440.740 	

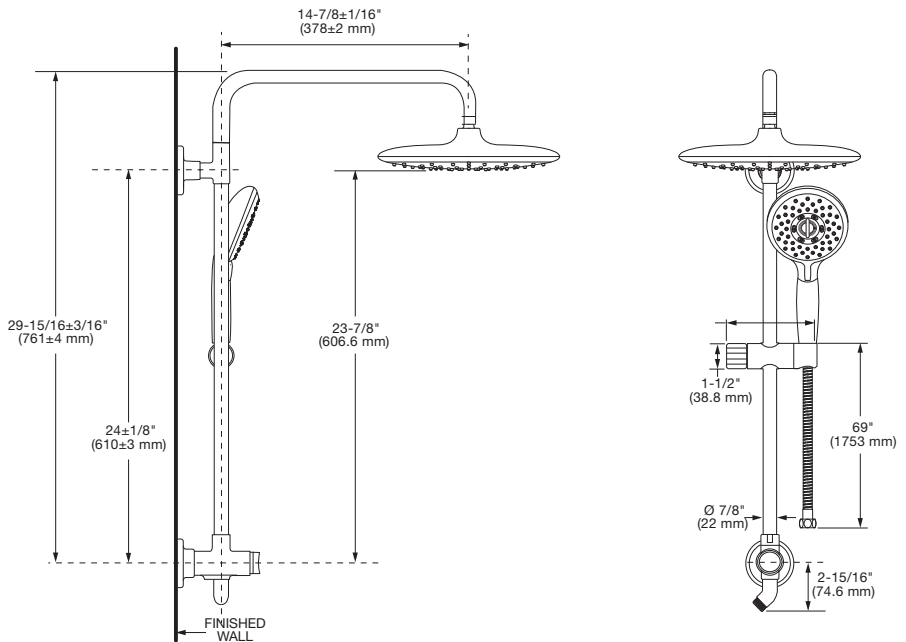


MODEL NUMBER:

□ **9038804 Shower System Kit 1.8 version**

Includes:

- Spectra+™ 4 Function Hand Shower
- Spectra+™ 11" Rain shower head
- 3-Function Push-Button Diverter
- Slide Bar with Easy Glide Holder
- 69" Hose



GENERAL DESCRIPTION:

Complete shower system kit includes: 24" (610 mm) shower system; 69" (1750 mm) shower hose; a Spectra handheld water saving hand shower. 5" (127 mm) Hand shower adjusts from Drench to Sensitive to Powerwash® to Massage. Slide bar features an adjustable shower holder which can be set at any height or position along the bar and angle up to 45°. Kit includes two check valves to prevent backflow. 3-Function Push-Button Diverter 11" Rain shower head.

PRODUCT FEATURES:

Water Saving: WaterSense® certified

3-Function Push-Button Diverter:

Switch between showerhead and hand shower for use alone or together.

Shower Hose: Extra-long 69" hose is made of durable metal.

HAND SHOWER

Variety of Spray Functions: Allows the user to select the spray functions best suited to their needs.

SLIDE BAR

Simple Height Adjustment: Allows positioning of the personal shower anywhere along the bar.

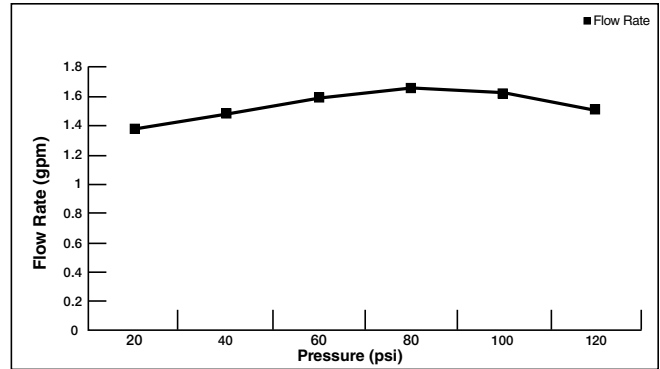
SUGGESTED SPECIFICATION

Shower system shall feature a 69" hose and hand shower and rain shower head. Hand Shower shall be WaterSense certified. Shower system shall have a pressure compensating control device. Kit shall include two check valves to prevent backflow. Fitting shall be American Standard Model # 9038804.002.

CODES AND STANDARDS

These products meet or exceed the following codes and standards:

**ASME A112.18.1
CSA B125.1**



Product Number	Description	Finish		
		Polished Chrome	Brushed Nickel	Legacy Bronze
		002	295	278
9038804	Spectra Versa™ 24" Shower System Kit. Contains Spectra+™ hand shower and 69" hose. And Spectra+ rain shower head.			