

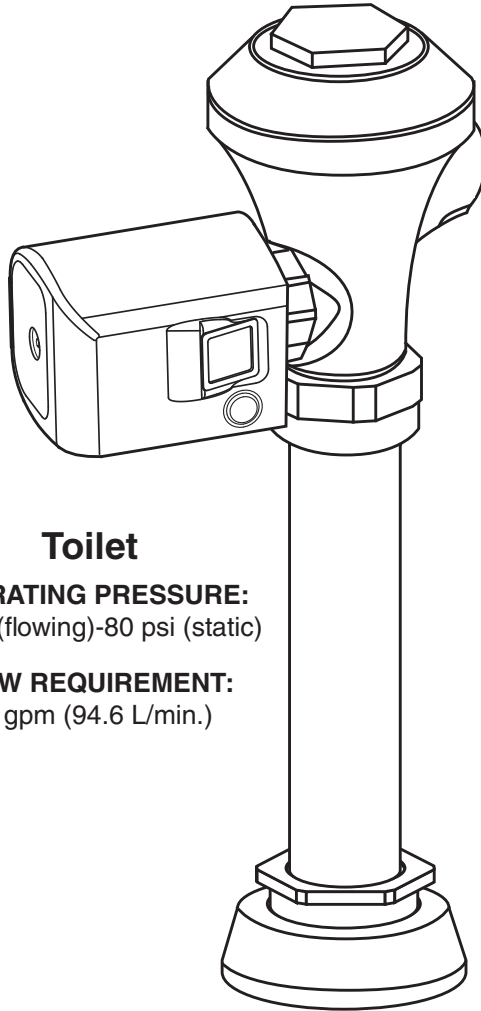
# Installation Instructions

## Ultima™ Sensor-Operated Flush Valve

With Side-Mount Operator,  
Diaphragm-Type

### MODEL NUMBERS

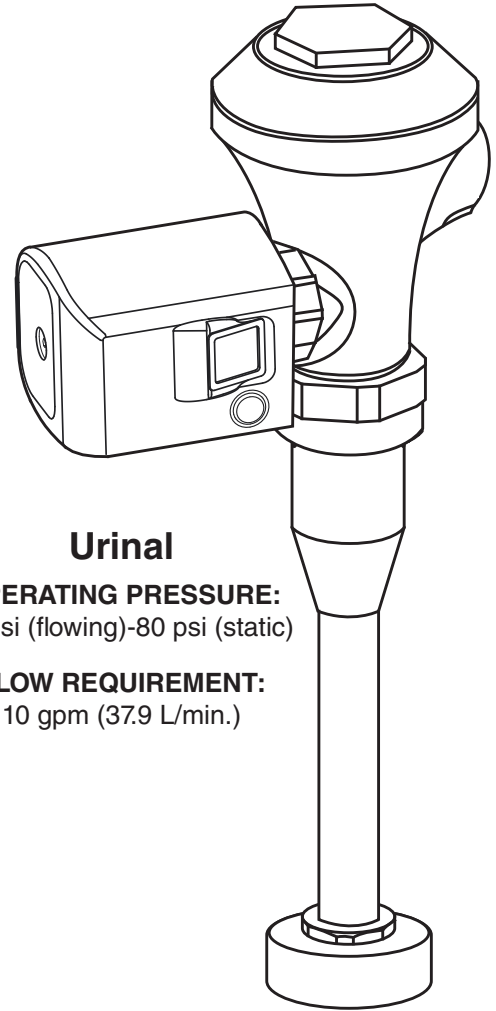
6145SM  
6147SM



### Toilet

**OPERATING PRESSURE:**  
25 psi (flowing)-80 psi (static)

**FLOW REQUIREMENT:**  
25 gpm (94.6 L/min.)



### Urinal

**OPERATING PRESSURE:**  
20 psi (flowing)-80 psi (static)

**FLOW REQUIREMENT:**  
10 gpm (37.9 L/min.)

**Certified to comply with:**

- ASSE 1037
- ANSI/ASME A112.19.2
- ADA Compliant

*American Standard*

**NOTE TO INSTALLER: Please give this manual to the customer after installation.**

To learn more about American Standard Products visit our website at: [www.americanstandard-us.com](http://www.americanstandard-us.com)  
or e-mail us at: [CRTTEAM@lixilamericas.com](mailto:CRTTEAM@lixilamericas.com)

For Parts, Service, Warranty or other Assistance,  
please call (844) CRT-TEAM / (844) 278-8326 (In Canada: 1-800-387-0369)  
(In Toronto Area only: 1-905-306-1093)

*American Standard*  
**CRT**  
Certified Response Technician

Thank you for selecting American Standard...the benchmark of fine quality for over 100 years. To ensure that your installation proceeds smoothly--please read these instructions carefully before you begin.

## UNPACKING

All American Standard Products Are Water Tested At Our Factory. Some Residual Water May Remain In The Valve During Shipping

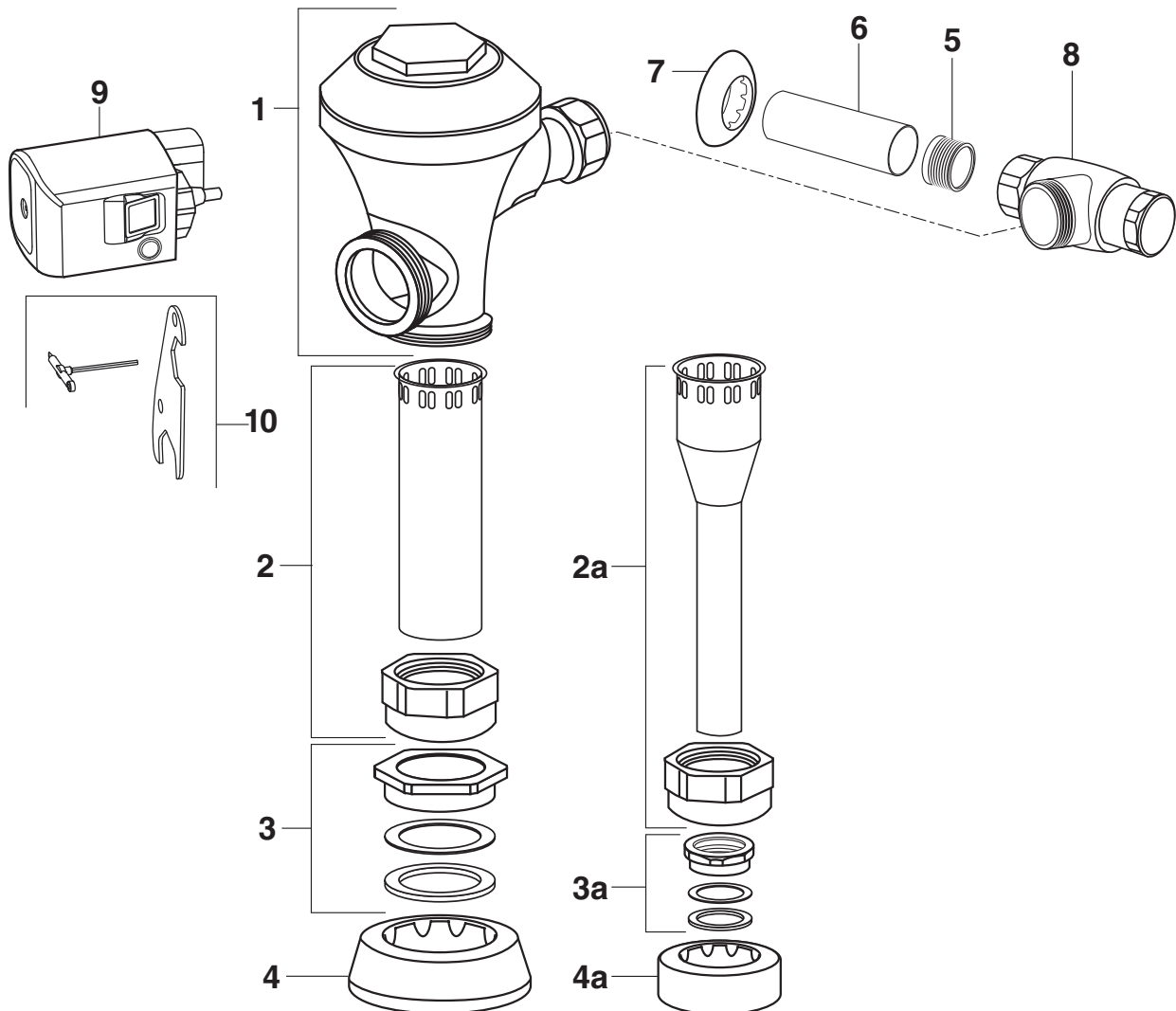
Remove the Flush Valve items from the carton. The illustration below shows all items after they have been removed from the carton. Some items may be packaged partially assembled to other items.

1. Flush Valve Assembly
2. Vacuum Breaker Assembly for Toilet
- 2a. Vacuum Breaker Assembly for Urinal
3. Spud Coupling Nut and Washers for Toilet
- 3a. Spud Coupling Nut and Washers for Urinal
4. Spud Flange for Toilet
- 4a. Spud Flange for Urinal
5. Sweat Solder Adapter
6. Cover Tube
7. Wall Escutcheon
8. Supply Stop
9. Side-Mount Operator
10. Wrench Kit

### CARE INSTRUCTIONS:

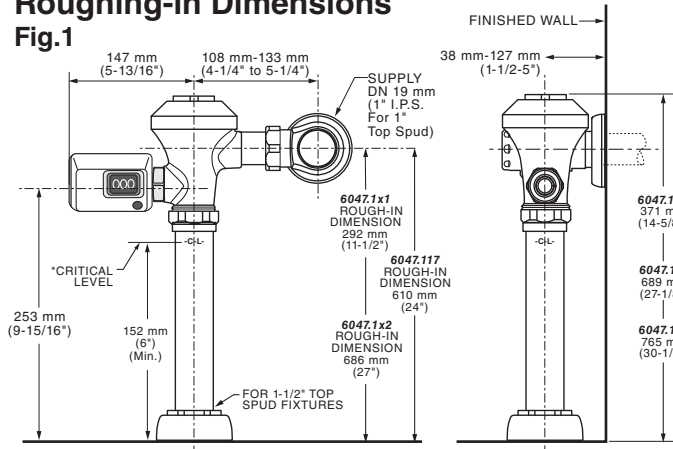
DO: CLEAN WITH CLEAR WATER. DRY WITH A SOFT COTTON FLANNEL CLOTH.

DO NOT: DO NOT CLEAN THE PRODUCT WITH SOAPS, ACID, POLISH, ABRASIVES, HARSH CLEANERS, OR A CLOTH WITH A COARSE SURFACE.



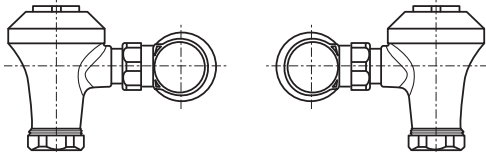
## Roughing-in Dimensions

Fig.1

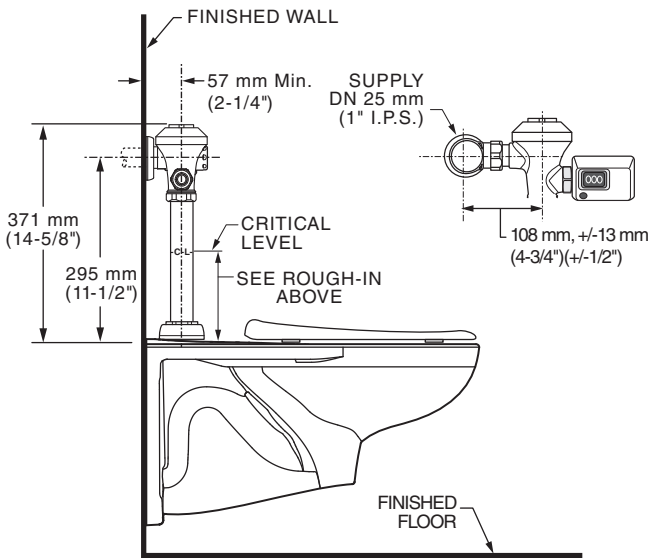


\*Note: The Critical Line (-C-L) on Vacuum Breaker must typically be 6" (152mm) minimum above fixture. Consult Codes for details.

### Right or Left Hand Installation

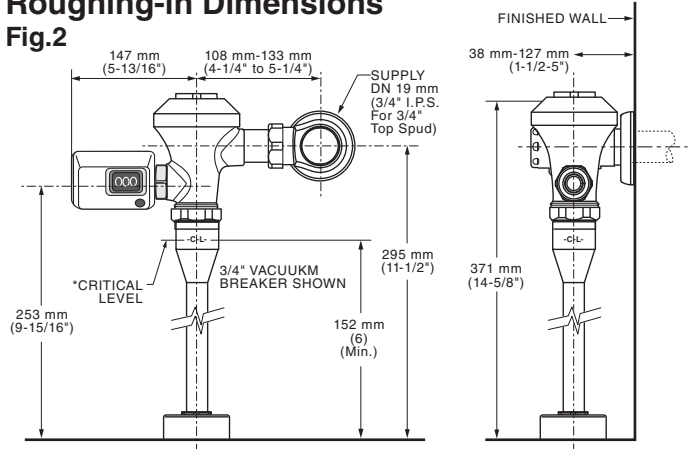


### TYPICAL WATER CLOSET INSTALLATION: AFWALL™ TOILET SHOWN



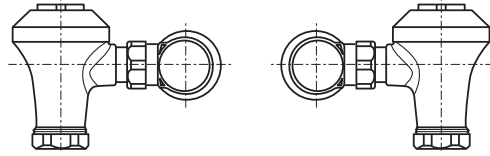
## Roughing-in Dimensions

Fig.2

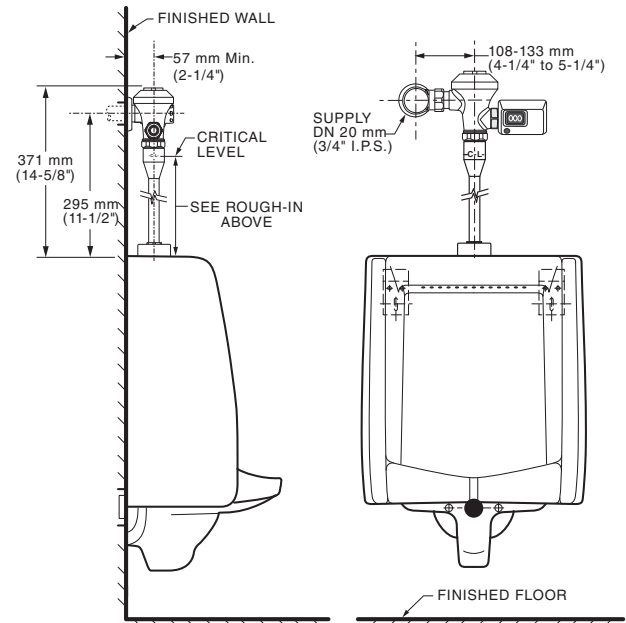


\*Note: The Critical Line (-C-L) on Vacuum Breaker must typically be 6" (152mm) minimum above fixture. Consult Codes for details.

### Right or Left Hand Installation



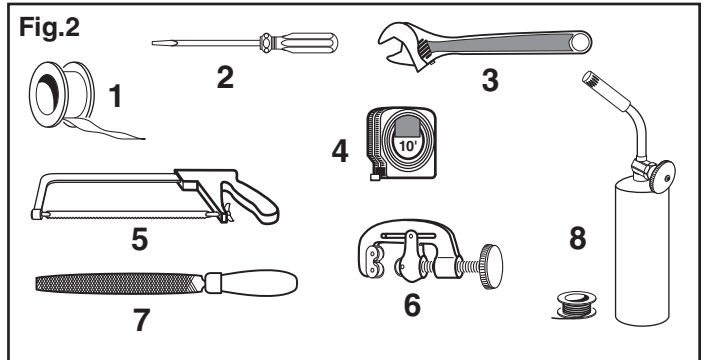
### TYPICAL URINAL INSTALLATION: WASHBROOK URINAL SHOWN



## RECOMMENDED TOOLS; Fig. 2

1. Teflon Tape
2. Flat Blade Screwdriver (For adjusting Supply Stop)
3. Adjustable Wrench
4. Tape Measure
5. Hacksaw
6. Tubing Cutter
7. File
8. For Sweat Connection; Solder and Torch

Fig.2



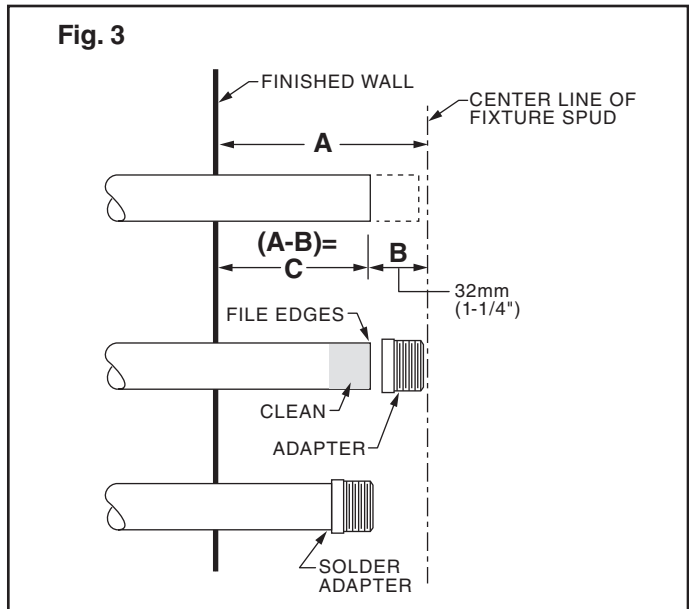
# FLUSH VALVE INSTALLATION

## 1 INSTALL SWEAT ADAPTER; Fig. 3

**CAUTION** Turn water supplies off before beginning

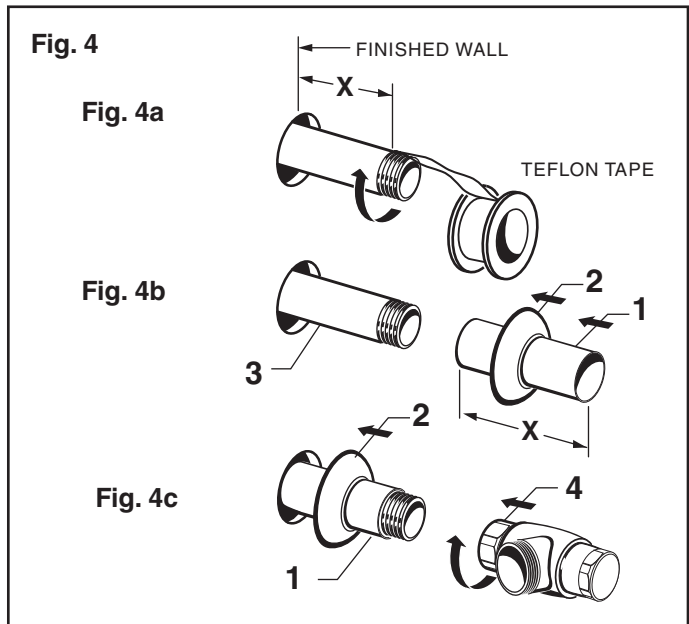
**Note:** *Install Optional Sweat Adapter (Supplied) for copper pipe supply line.*

1. Measure the distance (A) from the finished wall to the center of the inlet spud on the fixture.
2. Cut the supply pipe 1-1/4" (A-B=C) shorter than the measurement taken in Step 1. File any rough edges off the end of the supply pipe.
3. Clean the end of the supply pipe. Push the threaded Adapter until it is seated against the internal stop. Sweat the Adapter to the pipe.



## 2 INSTALL COVER TUBE, WALL ESCUTCHEON and STOP VALVE; Fig. 4

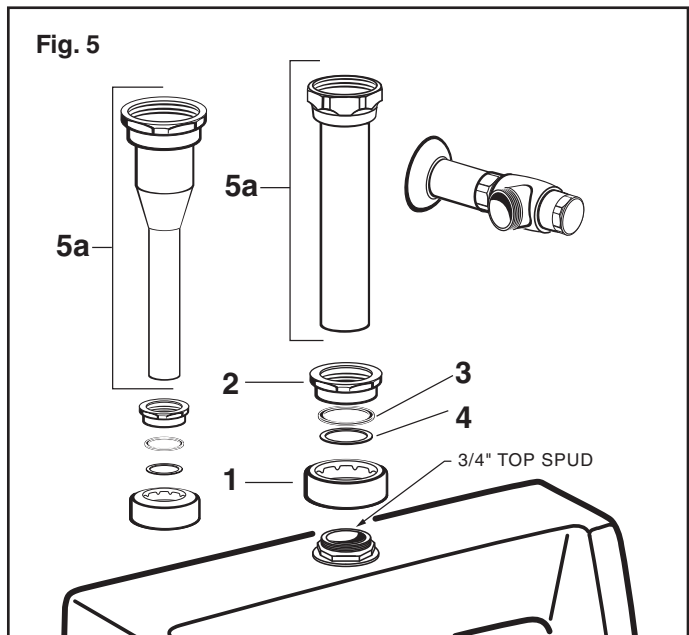
1. Measure from finished wall to first thread of Adapter or threaded supply pipe (dimension "X"). Cut COVER TUBE (1) to length (X). Apply Teflon Tape to the threaded end of the Adapter or supply pipe.
2. Push WALL ESCUTCHEON (2) onto the COVER TUBE (1). Slide both onto the SUPPLY PIPE (3).
3. Push the COVER TUBE (1) in to expose the threads of the supply pipe. With a wrench thread the STOP VALVE (4) onto the SUPPLY PIPE (3). Align and tighten.
4. Pull COVER TUBE (1) against STOP VALVE (4) and push WALL ESCUTCHEON (2) against finished wall.



## 3 INSTALL VACUUM BREAKER TUBE; Fig. 5

1. Place the SPUD FLANGE (1) over the spud on the Fixture.
2. Place FRICTION WASHER (3) and SEAL WASHER (4) inside SPUD COUPLING NUT (2) and thread onto Spud. Do not tighten fully.
3. Insert the VACUUM BREAKER TUBE (5) or (5a) into the SPUD COUPLING NUT (2) and push it down.

**Note:** *If cutting VACUUM BREAKER TUBE (5) to size, note that Critical Line (C/L) on Vacuum Breaker must typically be 6" (152mm) above fixture. Consult Code for details.*



## 4 INSTALL FLUSH VALVE; Fig. 6a & 6b

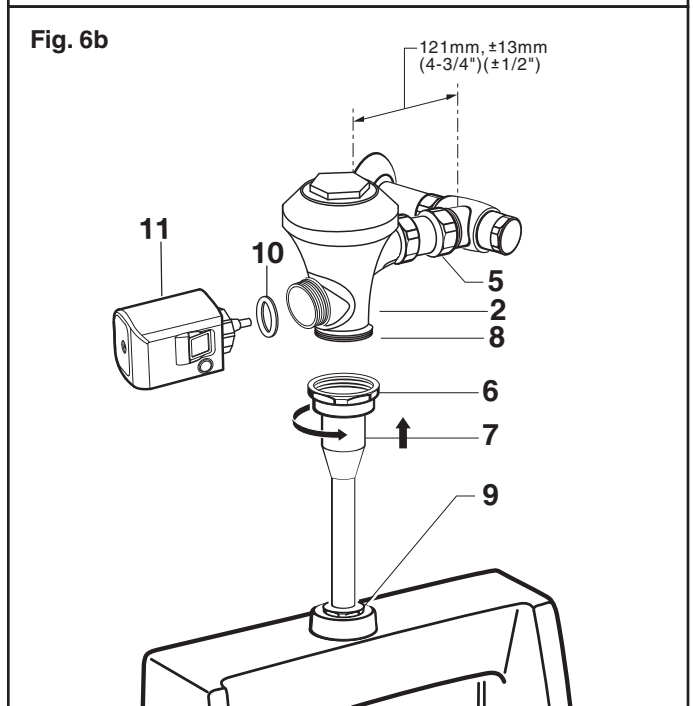
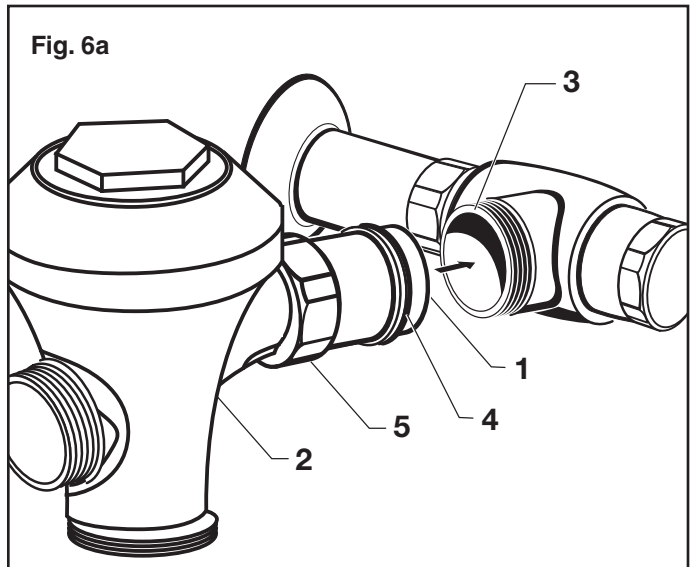
1. As shown in Fig. 6a, insert the side INLET FLANGE (1) on the FLUSH VALVE (2) into the SUPPLY STOP (3). Lubricate the INLET FLANGE O-RING (4) with water if necessary. Lightly tighten COUPLING NUT (5). Fig. 6a.

**Important: Do not use lubricants (other than water) or any type of thread sealing paste or tape.**

2. Align the FLUSH VALVE (2) (Fig. 6b) directly above the VERTICAL TUBE (7) and VACUUM BREAKER COUPLING NUT (6).

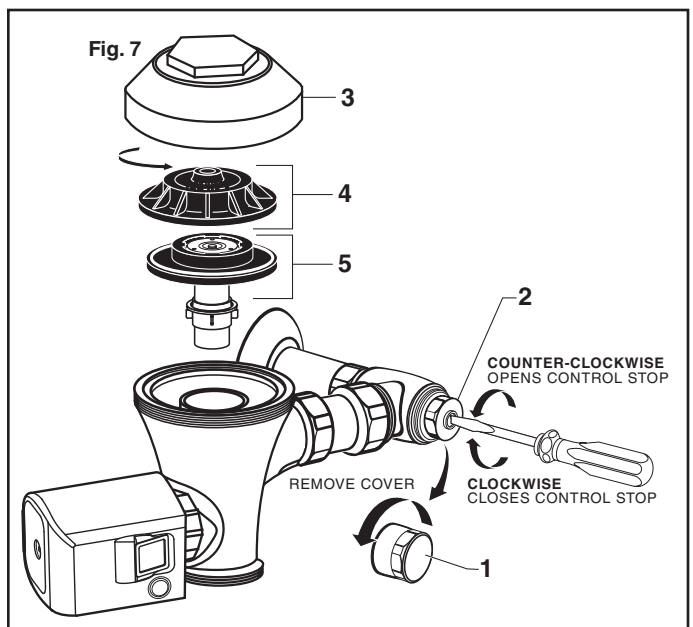
**Note: There is a  $\pm 13\text{mm}$ , ( $\pm 1/2$ ) tolerance for the 121mm (4-3/4") dimension. Fig. 6b.**

3. Pull the VACUUM BREAKER COUPLING NUT (6) up to meet the threaded FLUSH VALVE CONNECTION (8) and hand tighten. Align all components of the flush valve assembly. Fig. 6b.
4. Lightly tighten the COUPLING NUT (5) connection first, then the VACUUM BREAKER COUPLING NUT (6) and finally the SPUD COUPLING NUT (9). Once aligned correctly, use a wrench to tighten couplings to make water tight connections. Fig. 6b.
5. After installing FLAT SEAL (10) into FLUSHING UNIT (11), install FLUSHING UNIT (11). Fig. 6b.



## 5 FLUSH OUT SUPPLY LINES; Fig. 7

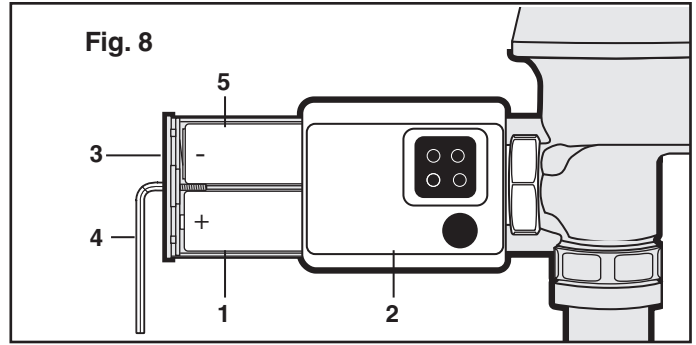
1. Make sure supply stop is closed. Remove COVER (1) from SUPPLY STOP (2). With a flat blade screwdriver close CONTROL STOP (2).
2. Remove FLUSH VALVE CAP (3 & 4). Pull out DIAPHRAGM ASSEMBLY (5). Replace FLUSH VALVE CAP (3 & 4) and tighten.
3. With a flat blade screwdriver open SUPPLY STOP (2) to flush line of any debris or sediment.
4. Close SUPPLY STOP (2). Remove FLUSH VALVE CAP (3 & 4). Replace DIAPHRAGM ASSEMBLY (5). Replace FLUSH VALVE CAP (3 & 4) and tighten.



## 6 ACTIVATION; Fig. 8

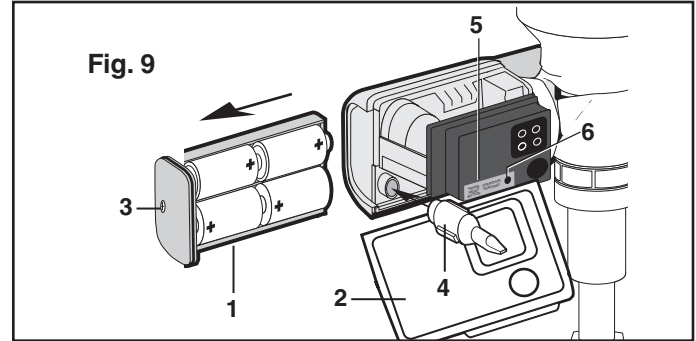
**Note:** Four (4) “C” Cell batteries are not factory installed inside the Flush unit.

1. Remove BATTERY TRAY (1) by loosening SCREW (3).
2. Load 4 “C” Alkaline BATTERIES (5) onto BATTERY TRAY (1).
3. Install battery tray into SIDE MOUNT OPERATOR (2) and tighten SCREW (3) using WRENCH (4) provided. (**Note:** last three turns of the wrench will activate the automatic flushing unit)



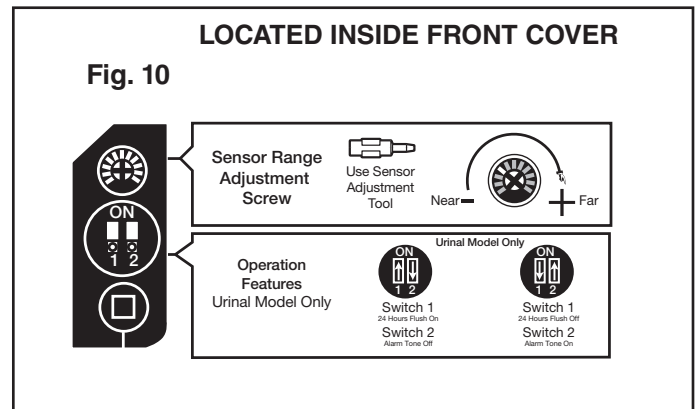
## 7 ADJUSTING SENSOR DISTANCE; Fig. 8 & 9

1. Remove BATTERY TRAY (1) by loosening SCREW (3). **Fig. 9**
2. Remove FRONT COVER (2) and remove SENSOR ADJUSTMENT TOOL (4). **Fig. 9**
3. Install BATTERY TRAY (1) and SCREW (3) back into the unit. **Fig. 9**
4. Press RANGE RESET BUTTON (5) (When object in view, it will flash green light for 7 minute rest period). **Fig. 9**
5. Stand at a desired distance and use the SENSOR ADJUSTMENT TOOL (4) to turn SENSOR ADJUSTMENT SCREW (6) all the way counter clockwise and then turn clockwise until green L.E.D begins to Flash. **Fig. 9**



## 8 ADJUSTING MODES OF OPERATION; Fig. 9 & 10

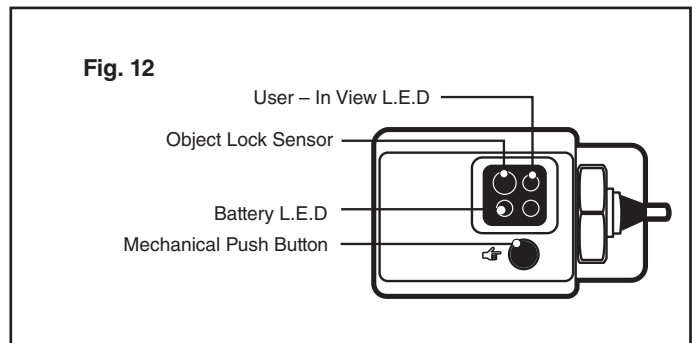
The FLUSH unit includes different modes of operation. Remove FRONT COVER (2) by loosening up SCREW (3) by using a wrench and removing BATTERY TRAY (1). Refer to the “Mode Adjustment Guide” for switch settings. The “Mode Adjustment Guide” can also be found on the inside of side cover for your convenience.



<b>24 Hour Flush On</b>	Allows the flush valve to automatically flush after 24 hour period of non-use to maintain the trap seal.
<b>Alarm Tone</b>	It beeps when the battery is running low. If you don't want it to beep, you can turn off this feature, with the toggle switches.

## 9 BATTERY REPLACEMENT; Fig. 8

1. Remove BATTERY TRAY (1) by loosening SCREW (3).
2. Replace 4 “C” Alkaline BATTERIES (2). (**Note:** Replace all 4 batteries at the same time for proper function)



## 10 VISUAL INDICATOR GUIDE; Fig. 12

**User – In View L.E.D (1)** – 5 second after a user is in view a green light flashes 3 times. ( during a startup sequence the green light flashes constantly for 7 minutes when a user is in view)

**Battery L.E.D (2)** – Yellow light flashes which indicates that the batteries all 4 “C” Alkaline batteries will need to be replaced.

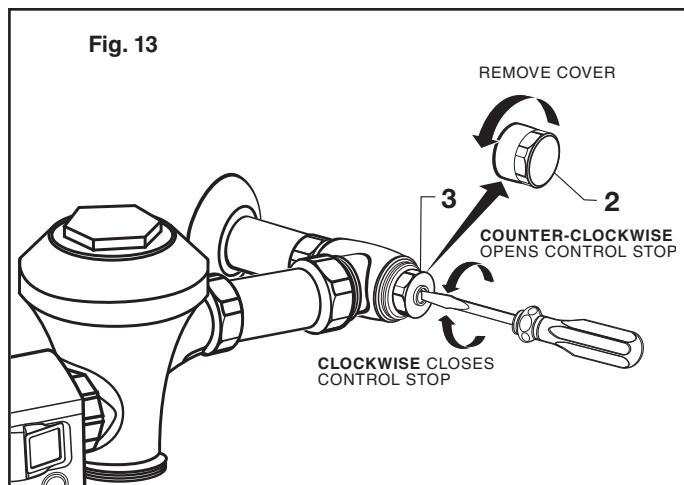
**Object Lock Sensor (3)** – Detects user or object.

**Mechanical Push Button** – Allows manual activation of flush when needed and when batteries are drained.

## 11 ADJUST SUPPLY STOP; Fig. 13

**IMPORTANT:** To avoid overflowing, the SUPPLY STOP (3) must never be opened to the point where the flow from the valve exceeds the flow capacity of the fixture. Valve is designed to provide stated flush volume with a 25 gpm flow rate for toilet and 10 gpm flow rate for urinal.

1. Remove COVER (2) from SUPPLY STOP (3). Turn on water supply 1/4 turn to 1/2 turn (CCW) and test for leaks. Note: Unit may flush for approximately 5 to 10 sec. when water is first turned on.
2. Push down on HANDLE (4) to initiate flush.
3. Adjust SUPPLY STOP (3) after each flush until the stated flush volume is achieved, no splashing occurs and the fixture is properly cleansed.
4. When adjustment is complete, reinstall COVER (2) and tighten to ensure vandal-resistance.

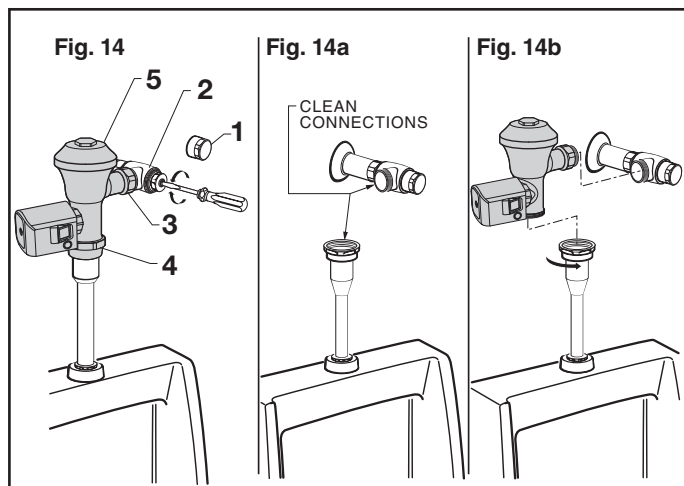


## 12 HOW TO RETROFIT OUR VALVE; Fig. 14

(Replaces Industry Standard Manual and Electronic Valves)

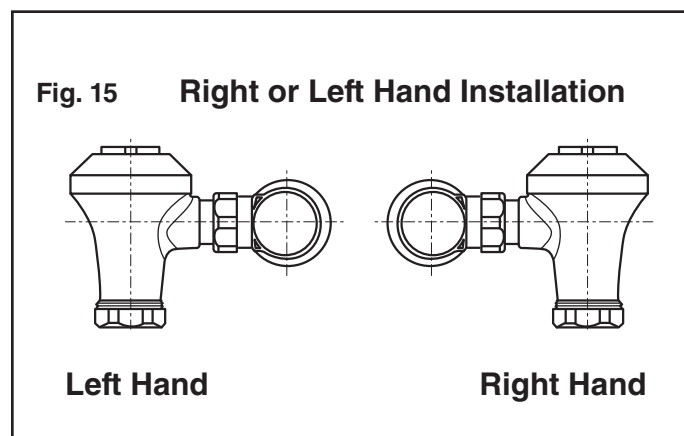
**Note:** In most Retrofits the wall escutcheon, supply stop, cover tube and vacuum breaker do not have to be replaced. If these items do need replacement they must be purchased separately or order the complete flush valve assembly from American Standard.

1. Remove COVER (1) from SUPPLY STOP (2) if installed. Fig. 14.
2. Turn water supply off. Fig. 14.
3. Unthread COUPLING NUT (3) and VACUUM BREAKER COUPLING NUT (4). Remove FLUSH VALVE (5). Fig. 4a.
4. Clean all threaded connections before installing the new flush valve. Fig. 14a.
5. Refer to Sections 4, 5 and 6 to complete the retrofit installation. Fig. 14b.



## 13 LEFT OR RIGHT HAND INSTALLATION; Fig. 15

1. The FLUSH VALVE can be installed either as a right or left hand installation.
2. Orientate the FLUSH VALVE as shown in Fig. 13 to desired position for a left or right hand installation.



*American Standard*

# Ultima™ Sensor-Operated Flush Valve

With Side-Mount Operator, Diaphragm-Type

**MODEL NUMBERS**

**6145SM**

**M909318-0070A**  
INSIDE COVER

**M954327-0070A**  
DIAPHRAGM ASSEMBLY - 0.125 GPF

**M954326-0070A**  
DIAPHRAGM ASSEMBLY - 0.5 GPF

**M954319-0070A**  
DIAPHRAGM ASSEMBLY - 1.0/1.6 GPF

**SMGODIA.002**  
SIDE MOUNT  
OPERATOR

**A912809-0070A**  
TAILPIECE O-RING

**M964945-0020A**  
ADJUSTABLE TAILPIECE  
(4-1/4" to 5-1/4" Rough-in)

OPTIONAL ADJUSTABLE TAILPIECE  
(Purchased Separately)

**M962836-0020A** (8-1/4" to 9-1/4" Rough-in)

**M962835-0020A** (7-1/4" to 8-1/4" Rough-in)

**M962834-0020A** (6-1/4" to 7-1/4" Rough-in)

**M962833-0020A** (5-1/4" to 6-1/4" Rough-in)

**M964402-0070A**  
HIGH BP VACUUM  
BREAKER REPAIR KIT

**M964075-0070A**  
3/4" SWEAT ADAPTER

**M955058-0020A**  
3/4" STOP VALVE

**M964412-0020A**  
3/4" VACUUM  
BREAKER ASSEMBLY  
FOR 11-1/2" (220 mm)  
ROUGH-IN

**M952261-0020A**  
3/4" INLET PIPE  
ASSEMBLY

**M970355-0020A**  
STOP VALVE REPAIR KIT

**M924347-0020A**  
STOP VALVE CAP

**M952262-0020A**  
ESCUTCHEON KIT

PART OF **LIXIL**



HOT LINE FOR HELP  
For toll-free information and answers to your questions, call:  
(844) CRT-TEAM / (844) 278-8326  
Mon. - Fri. 8:00 a.m. to 8:00 p.m. EST Saturday 10:00 a.m. to 4:00 p.m. EST  
IN MEXICO 01-800-839-1200  
IN CANADA 1-800-387-0369 (TORONTO 1-905-306-1093)  
Weekdays 8:00 a.m. to 7:00 p.m. EST

Product names listed herein are trademarks of AS America, Inc. ©2019

To learn more about American Standard Selectronic® Products visit our website at:  
[www.americanstandard-us.com](http://www.americanstandard-us.com) or e-mail us at: [CRTTEAM@lixilamericas.com](mailto:CRTTEAM@lixilamericas.com)

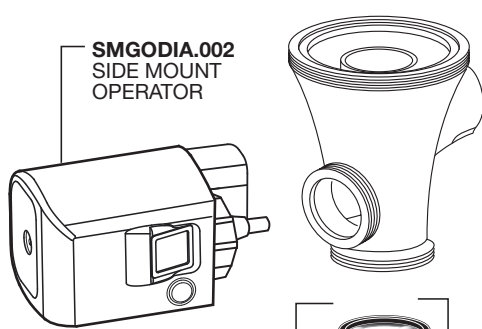
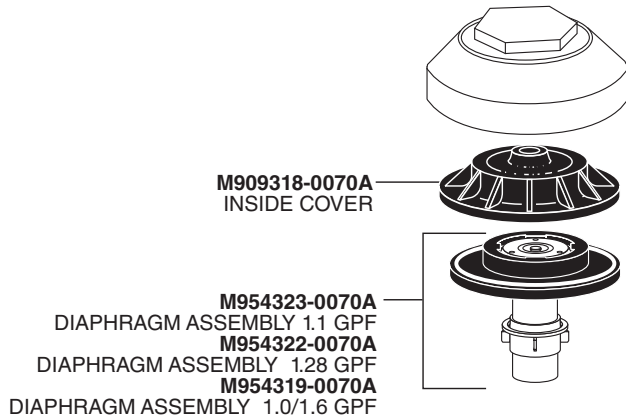


*American Standard*

# Ultima™ Sensor-Operated Flush Valve

With Side-Mount Operator,  
Diaphragm-Type

<b>MODEL NUMBERS</b>
<b>6147SM</b>



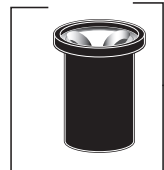
OPTIONAL ADJUSTABLE TAILPIECE  
(Purchased Separately)

**M962836-0020A** (8-1/4" to 9-1/4" Rough-in)

**M962835-0020A** (7-1/4" to 8-1/4" Rough-in)

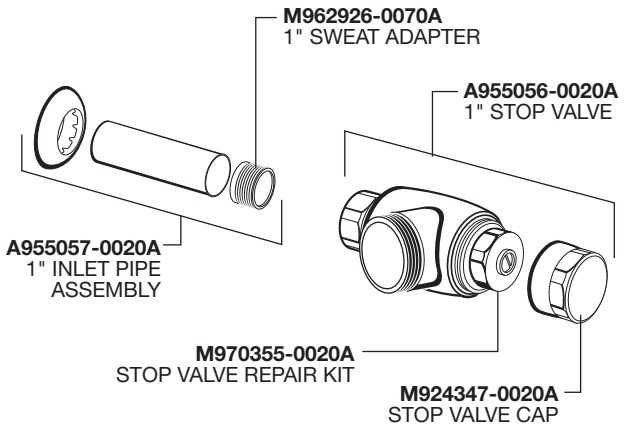
**M962834-0020A** (6-1/4" to 7-1/4" Rough-in)

**M962833-0020A** (5-1/4" to 6-1/4" Rough-in)

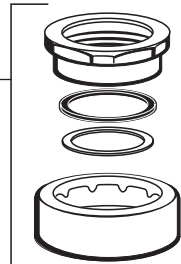


**M964411-0020A**  
VACUUM BREAKER  
ASSEMBLY 11-1/2"  
(220 mm) ROUGH-IN

**M964413-0020A**  
VACUUM BREAKER  
ASSEMBLY 27"  
(686 mm) ROUGH-IN



**M952269-0020A**  
ESCUTCHEON KIT



PART OF LIXIL

HOT LINE FOR HELP

For toll-free information and answers to your questions, call:

(844) CRT-TEAM / (844) 278-8326

Mon. - Fri. 8:00 a.m. to 8:00 p.m. EST Saturday 10:00 a.m. to 4:00 p.m. EST  
IN MEXICO 01-800-839-1200

IN CANADA 1-800-387-0369 (TORONTO 1-905-306-1093)  
Weekdays 8:00 a.m. to 7:00 p.m. EST

Product names listed herein are trademarks of AS America, Inc. ©2019

To learn more about American Standard Selectronic® Products visit our website at:  
[www.americanstandard-us.com](http://www.americanstandard-us.com) or e-mail us at: [CRTTEAM@lixilamericas.com](mailto:CRTTEAM@lixilamericas.com)

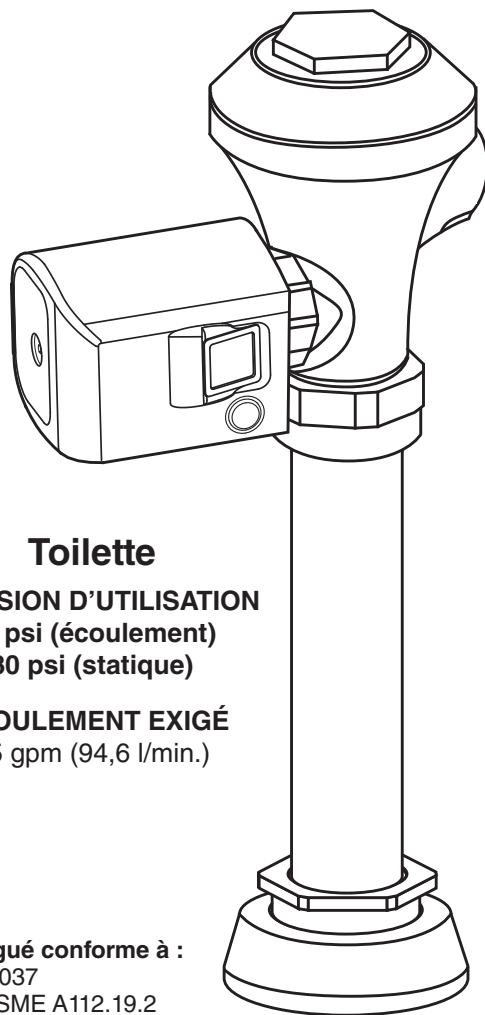
## Ultima,<sup>MC</sup> robinet de chasse à capteur

Bouton latéral, type à diaphragme

NUMÉROS DE  
MODÈLE

6145SM

6147SM



### Toilette

#### PRESSION D'UTILISATION

25 psi (écoulement)

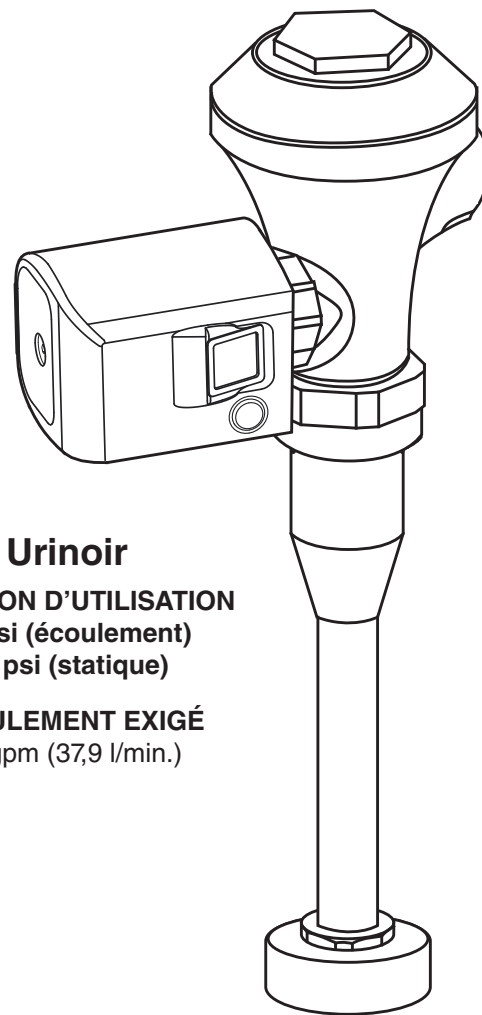
80 psi (statique)

#### ÉCOULEMENT EXIGÉ

25 gpm (94,6 l/min.)

#### Homologué conforme à :

- ASSE 1037
- ANSI/ASME A112.19.2
- ADA Compliant



### Urinoir

#### PRESSION D'UTILISATION

20 psi (écoulement)

80 psi (statique)

#### ÉCOULEMENT EXIGÉ

10 gpm (37,9 l/min.)

# American Standard

**REMARQUE À L'INTENTION DE LA PERSONNE RESPONSABLE DE L'INSTALLATION :**  
**une fois l'installation terminée, veuillez remettre cette notice au client.**

Apprendre plus de la Norme American Standard Selectronic® les Produits visitent notre site Internet à:  
[www.americanstandard-us.com](http://www.americanstandard-us.com) ou l'e-mail nous à: [CRTTEAM@lixilamericas.com](mailto:CRTTEAM@lixilamericas.com)

Pour les Parties, le Service, la Garantie ou d'autre Assistance, s'appellent s'il  
vous plaît (844) CRT-TEAM / (844) 278-8326 (Depuis le Canada: 1-800-387-0369)  
(Région de Toronto uniquement: 1-905-3061093)

*American Standard*  
**CRT**  
Certified Response Technician

Nous vous remercions d'avoir choisi American Standard... la référence en matière de qualité depuis plus de 100 ans. Pour une installation sans problème, veuillez lire attentivement ces consignes avant de commencer.

## DÉBALLAGE

Tous les produits d'American Standard sont mis à l'essai en usine. Il peut donc rester de l'eau dans le robinet durant le transport.

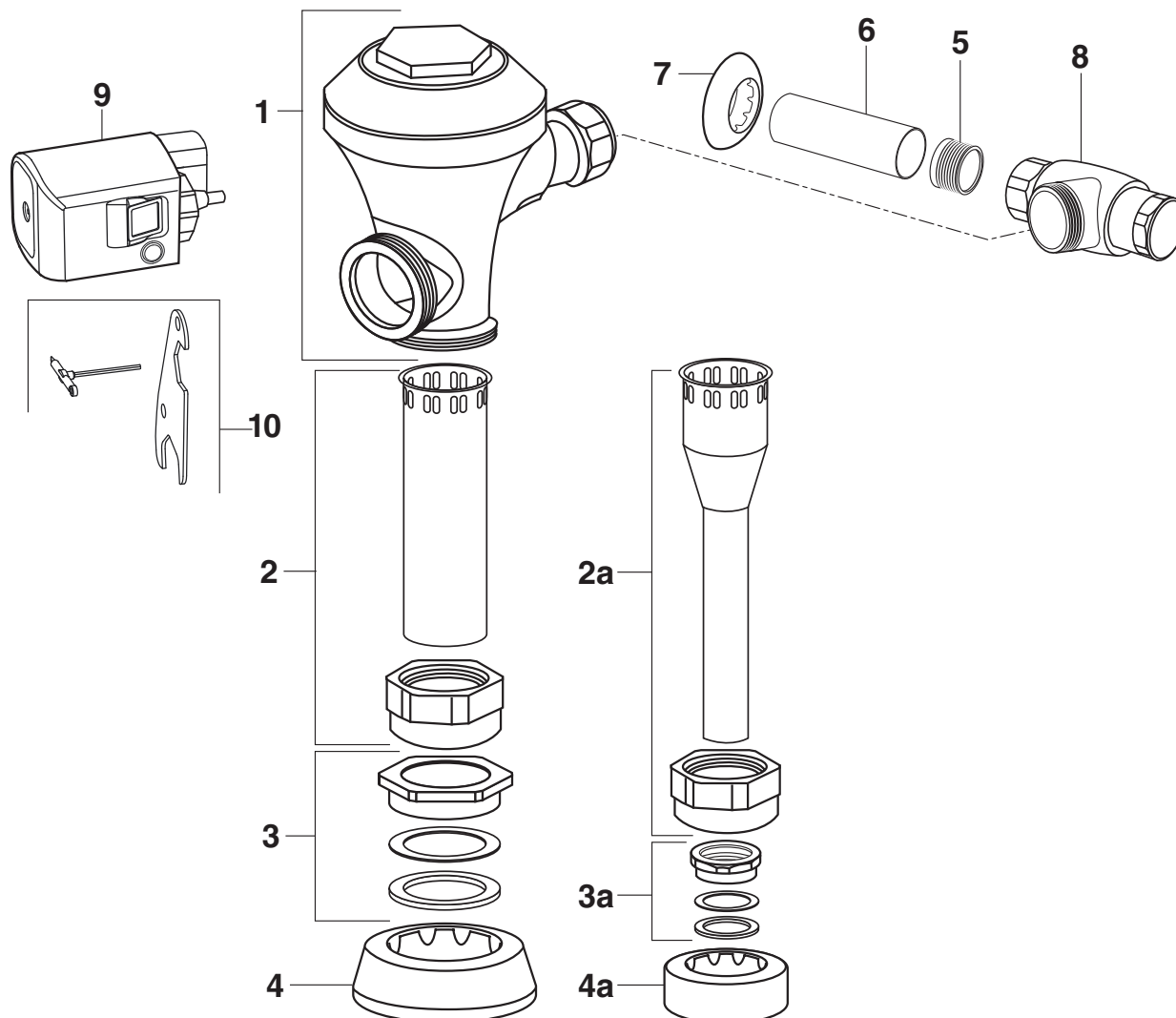
1. Retirer les éléments du robinet de chasse d'eau de l'emballage. L'illustration ci-dessous montre tous les éléments après qu'ils ont retirés de l'emballage. Certains éléments peuvent être assemblés partiellement à d'autres.

- |   |                                   |
|---|-----------------------------------|
| 1. Ensemble de robinet de chasse                                  | 5. Adaptateur pour brasage tendre |
| 2. Ensemble de reniflard pour toilette                            | 6. Tube de revêtement             |
| 2a. Ensemble de reniflard pour urinoir                            | 7. Plaque de finition murale      |
| 3. Écrou de raccordement et rondelles de ligature pour toilette   | 8. Robinet d'arrêt                |
| 3a. Écrou de raccordement et rondelles pour ligature pour urinoir | 9. Manette latérale               |
| 4. Bride de ligature pour toilette                                | 10. Trousse de clé                |
| 4a. Bride de ligature pour urinoir                                |                                   |

## CONSIGNES D'ENTRETIEN :

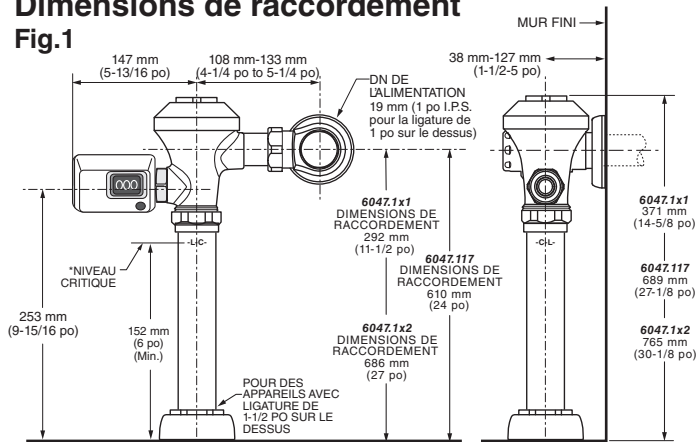
À FAIRE : RINCER LE PRODUIT AVEC DE L'EAU. SÉCHER AVEC UN LINGE EN COTON DOUX.

À ÉVITER : NE PAS NETTOYER LE PRODUIT AVEC DU SAVON, DE L'ACIDE, DU POLI, DES ABRASIFS, DES PRODUITS DE NETTOYAGE PUISSANTS, OU UN LINGE RUGUEUX.



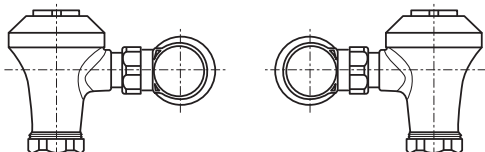
## Dimensions de raccordement

Fig.1

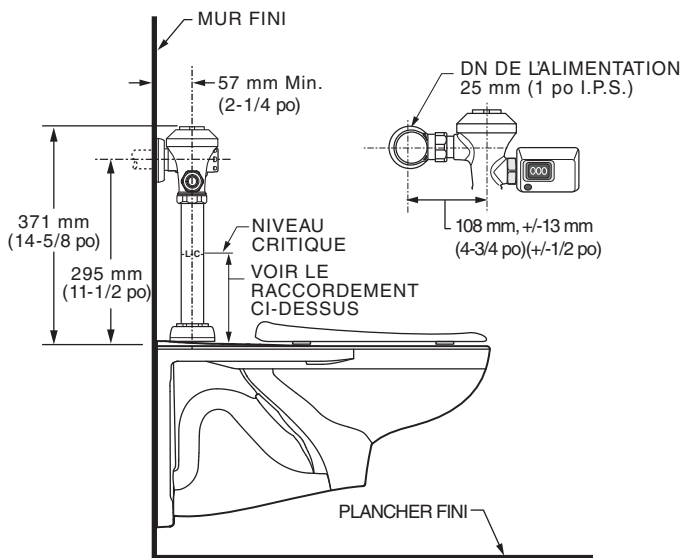


\*Remarque : La ligne critique (-L-C-) d'un reniflard doit habituellement être au moins 6 po (152 mm) au-dessus du produit. Consultez les codes pour plus de détails.

### Installation à gauche ou à droite

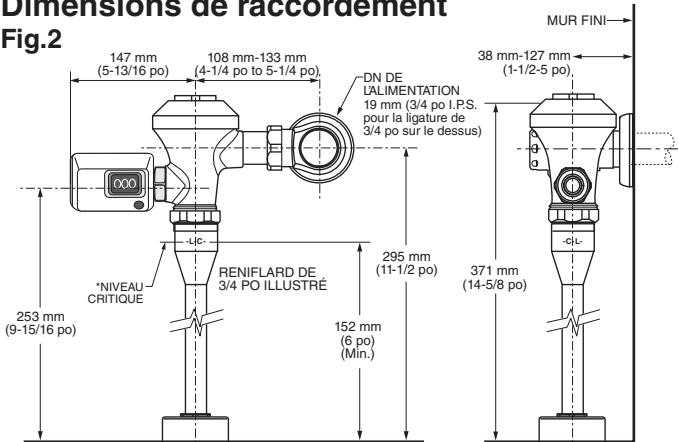


### INSTALLATION POUR TOILETTES CLASSIQUES : TOILETTE AFWALL<sup>MC</sup> ILLUSTRÉE



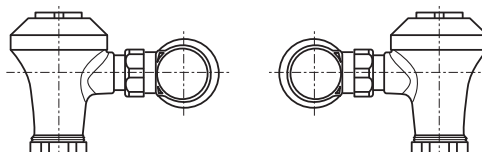
## Dimensions de raccordement

Fig.2

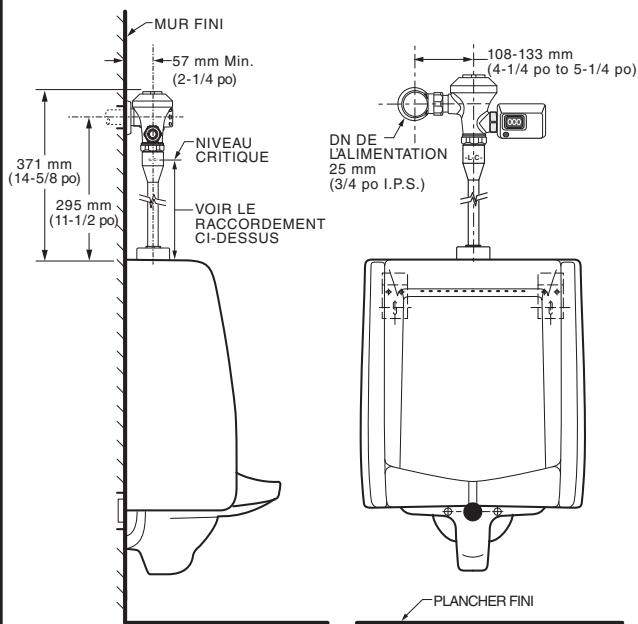


\*Remarque : La ligne critique (-L-C-) d'un reniflard doit habituellement être au moins 6 po (152 mm) au-dessus du produit. Consultez les codes pour plus de détails.

### Installation à gauche ou à droite



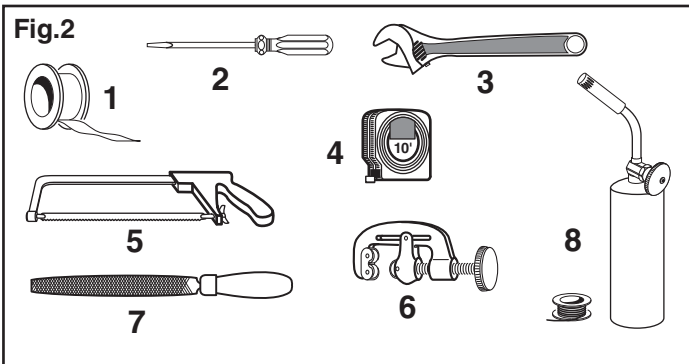
### INSTALLATION D'URINOIR CLASSIQUE URINOIR WASHBROOK ILLUSTRÉ



## OUTILS RECOMMANDÉS ; Fig. 2

1. Ruban Teflon
2. Tournevis plat (pour ajuster la butée d'alimentation)
3. Clé ajustable
4. Ruban à mesurer
5. Scie à métaux
6. Coupe-tube
7. File
8. Brasure et torche pour raccord de corps

Fig.2



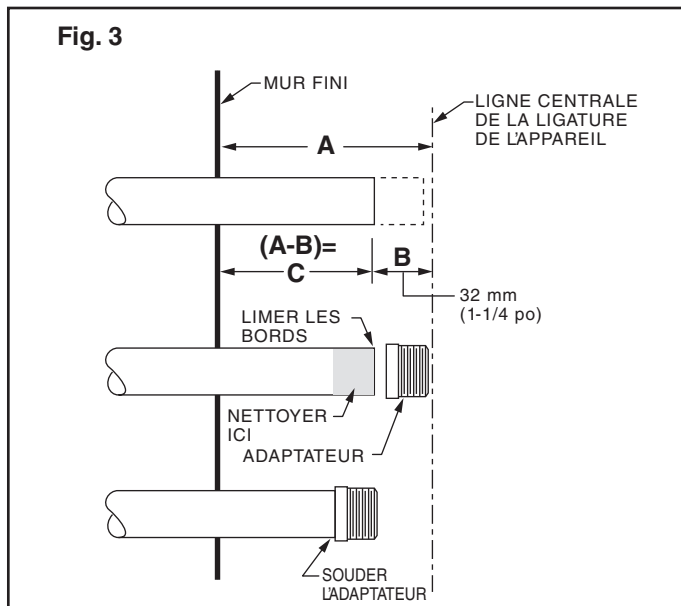
# INSTALLATION DU ROBINET DE CHASSE

## 1 INSTALLATION DE L'ADAPTATEUR POUR SOUDURE À L'ÉTAIN – Fig. 3

**ATTENTION** Coupez l'approvisionnement en eau avant de commencer.

**Remarque :** Installez l'adaptateur pour soudure à l'étain (fourni) pour un tuyau d'alimentation en cuivre.

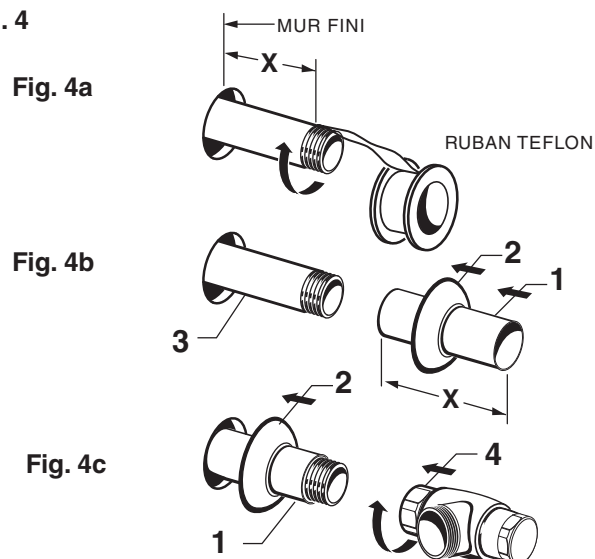
1. Mesurez la distance (A) entre le mur fini et le centre de la ligature de l'entrée située sur l'appareil.
2. Coupez le tuyau d'alimentation 1-1/4 po (A-B=C) plus court que la mesure prise à l'étape 1. Limez les rebords rugueux à l'extrémité du tuyau d'alimentation.
3. Nettoyez l'extrémité du tuyau d'alimentation. Poussez l'adaptateur fileté jusqu'à ce qu'il repose contre la butée interne. Soudez l'adaptateur au tuyau.



## 2 INSTALLATION DU TUBE DE REVÊTEMENT, de la PLAQUE DE FINITION MURALE et de la VANNE D'ARRÊT – Fig. 4

1. Mesurez la distance entre le mur fini et le premier filet de l'adaptateur ou du tuyau d'alimentation fileté (dimension « X »). Coupez le TUBE DE REVÊTEMENT (1) à la longueur (X). Appliquez du ruban pour joints filetés sur l'extrémité filetée de l'adaptateur ou du tuyau d'alimentation.
2. Poussez la PLAQUE DE FINITION MURALE (2) sur le TUBE DE REVÊTEMENT (1). Faites-les tous les deux glisser sur le TUYAU D'ALIMENTATION (3).
3. Poussez le TUBE DE REVÊTEMENT (1) pour exposer les filets du tuyau d'alimentation. À l'aide d'une clé, vissez la VANNE D'ARRÊT (4) sur le TUYAU D'ALIMENTATION (3). Alignez-les et serrez.
4. Tirez le TUBE DE REVÊTEMENT (1) contre la VANNE D'ARRÊT (4), et poussez la PLAQUE DE FINITION MURALE (2) contre le mur fini.

Fig. 4

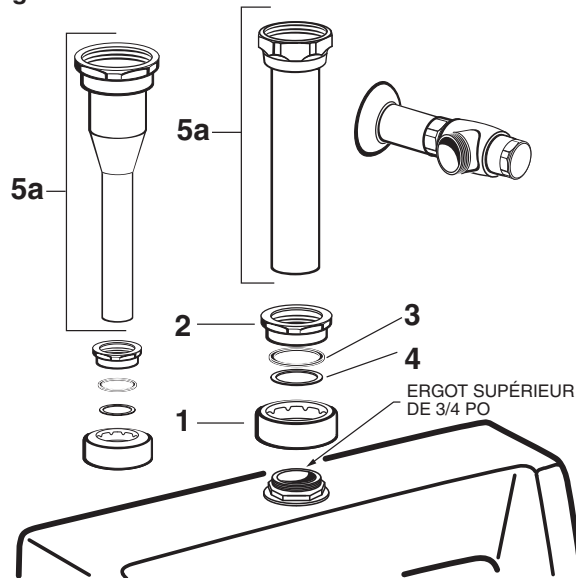


## 3 INSTALLATION DU TUBE DU RENIFLARD – Fig. 5

1. Placez la BRIDE DE LA LIGATURE (1) au niveau de la ligature du produit.
2. Placez la RONDELLE DE FRICTION (3) et la RONDELLE D'ÉTANCHÉITÉ (4) à l'intérieur de l'ÉCROU DU RACCORD DE BEC (2) et enfillez-les sur l'entrée. Ne serrez pas complètement.
3. Insérez le TUBE DU RENIFLARD (5) dans l'ÉCROU DE RACCORDEMENT POUR LIGATURE (2) et poussez-le vers le bas.

**Remarque :** Si vous coupez le TUBE DU RENIFLARD (5) aux dimensions, notez que la ligne critique (LC) du reniflard doit généralement se situer à une distance de 6 po (152 mm) au-dessus de l'appareil. Consultez les codes pour plus de détails.

Fig. 5



## 4 INSTALL FLUSH VALVE; Fig. 6a & 6b

1. Comme illustré sur la Fig. 6a, insérez la BRIDE D'ENTRÉE (1) sur le ROBINET DE CHASSE (2) dans le ROBINET D'ARRÊT (3). Lubrifiez le JOINT TORIQUE DE LA BRIDE D'ENTRÉE (4) avec de l'eau, au besoin. Serrez légèrement l'ÉCROU DE RACCORDEMENT (5). Fig. 6a.

**Important : Ne pas utiliser de lubrifiants (autres que de l'eau) ou tout autre type de pâte ou de ruban pour joints filetés.**

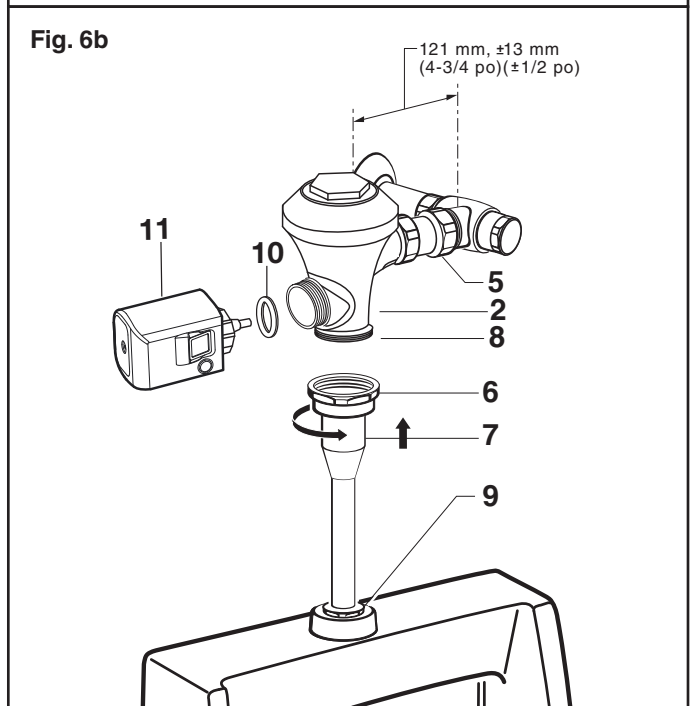
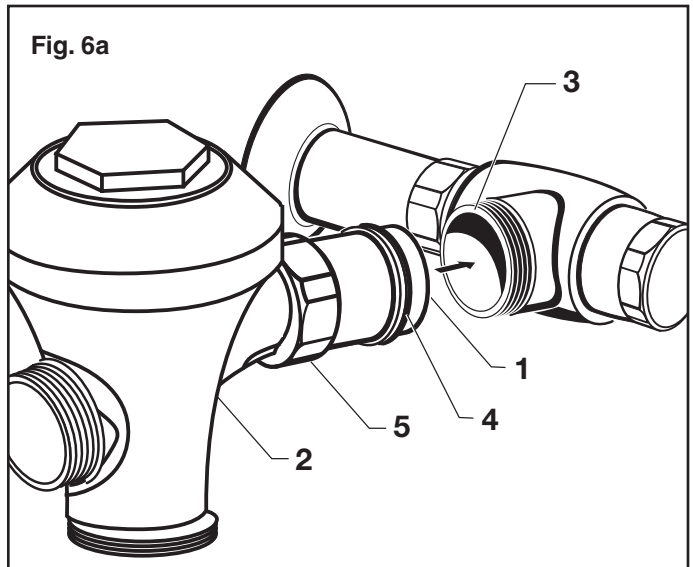
2. Alignez le ROBINET DE CHASSE (2) (Fig. 6b) directement au-dessus du TUYAU VERTICAL (7) et de l'ÉCROU DE RACCORDEMENT DU RENIFLARD (6).

**Remarque : Il existe une marge de  $\pm 13$  mm ( $\pm 1/2$  po) pour les dimensions de 121 mm ( $4-3/4$  po). Fig. 6b.**

3. Tirez l'ÉCROU DE RACCORDEMENT DU RENIFLARD (6) jusqu'au niveau du RACCORD DU ROBINET DE CHASSE fileté (8) et serrez à la main. Alignez tous les composants de l'assemblage du robinet de chasse. Fig. 6b.

4. Serrez légèrement le raccord de l'ÉCROU DE RACCORDEMENT (5) dans un premier temps, puis l'ÉCROU DE RACCORDEMENT DU RENIFLARD (6) et, enfin, l'ÉCROU DE RACCORDEMENT POUR LIGATURE (9). Une fois ces éléments alignés correctement, utilisez une clé pour serrer les raccords afin d'obtenir des raccords étanches. Fig. 6b.

5. Une fois le JOINT D'ÉTANCHÉITÉ PLAT (10) installé dans l'UNITÉ DE CHASSE (11), installez l'UNITÉ DE CHASSE (11). Fig. 6b.



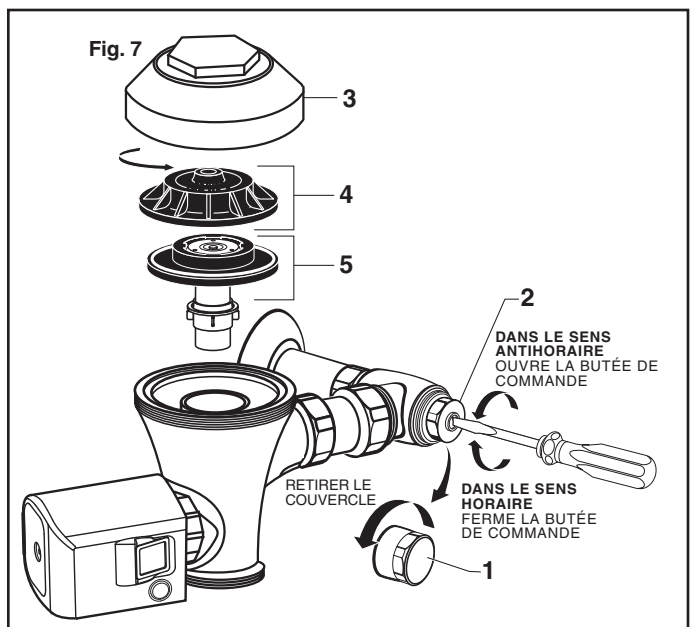
## 5 RINÇAGE DES CONDUITES D'ALIMENTATION ; Fig. 7

1. Assurez-vous que le robinet d'arrêt est fermé. Retirez le COUVERCLE (1) du ROBINET D'ARRÊT (2). À l'aide d'un tournevis plat, fermez le ROBINET D'ARRÊT (2).

2. Retirez le CAPUCHON DU ROBINET DE CHASSE (3 et 4). Enlevez l'ENSEMBLE DE MEMBRANE (5). Réinstallez et serrez le CAPUCHON DU ROBINET DE CHASSE (3 et 4).

3. À l'aide d'un tournevis plat, ouvrez le ROBINET D'ARRÊT (2) pour rincer la conduite et éliminer tous les débris ou sédiments.

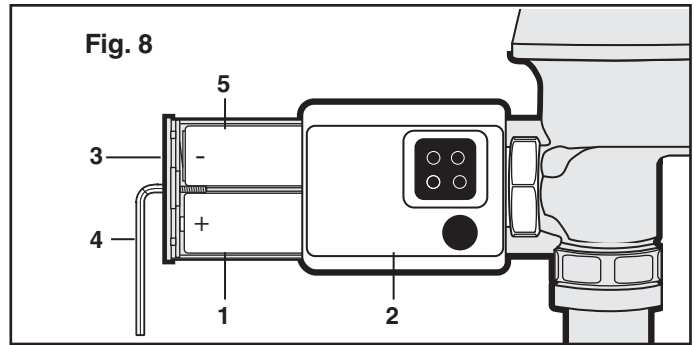
4. Fermez le ROBINET D'ARRÊT (2). Retirez le CAPUCHON DU ROBINET DE CHASSE (3 et 4). Replacez l'ENSEMBLE DE MEMBRANE (5). Réinstallez le CAPUCHON DU ROBINET DE CHASSE (3 et 4) et serrez-le.



## 6 ACTIVATION – Fig. 8

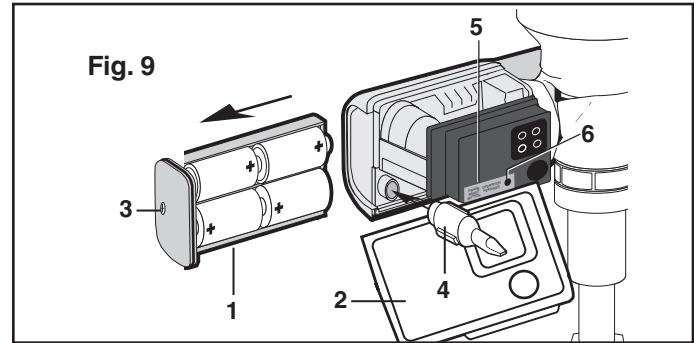
**Remarque :** Les quatre (4) piles « C » n'ont pas été installées dans l'unité de chasse à l'usine.

1. Insérez 4 PILES (5) alcalines « C » sur le SUPPORT DE PILES (1).
2. Installez le support de piles dans la MANETTE LATÉRALE (2) et serrez la VIS (3) à l'aide de la CLÉ (4) fournie.  
(Remarque : les trois derniers tours de la clé déclencheront l'unité de chasse automatique)



## 7 AJUSTEMENT DE LA DISTANCE AU CAPTEUR – Fig. 8 et 9

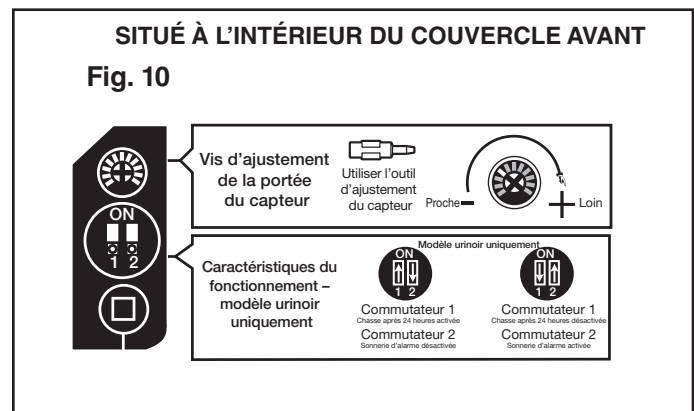
1. Retirez le SUPPORT DE PILES (1) en desserrant la VIS (3). Fig. 9
2. Retirez le COUVERCLE AVANT (2) et enlevez l'OUTIL D'AJUSTEMENT DU CAPTEUR (4). Fig. 9
3. Réinstallez le SUPPORT DE PILES (1) et la VIS (3) dans l'unité. Fig. 9
4. Appuyez sur le BOUTON DE RÉINITIALISATION DE LA PORTÉE (5) (lorsqu'un objet bloque le capteur, un voyant vert clignotera pendant la période de repos de 7 minutes). Fig. 9
5. Tenez-vous à la distance souhaitée, puis utilisez l'OUTIL D'AJUSTEMENT DU CAPTEUR (4) pour tourner la VIS D'AJUSTEMENT DU CAPTEUR (6) à fond dans le sens antihoraire. Ensuite, tournez-la dans le sens horaire jusqu'à ce que la DEL verte commence à clignoter. Fig. 9



## 8 AJUSTEMENT DES MODES DE FONCTIONNEMENT – Fig. 9 et 10

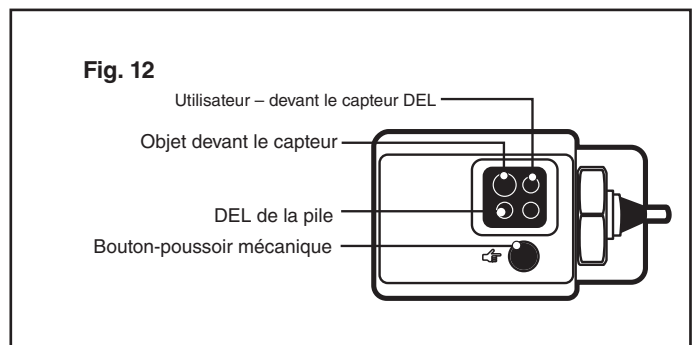
L'unité de CHASSE comprend divers modes de fonctionnement. Retirez le COUVERCLE AVANT (2) en desserrant la VIS (3) à l'aide d'une clé, puis en enlevant le SUPPORT DE PILES (1). Référez-vous au « Guide d'ajustement du mode » pour connaître les paramètres du commutateur. Pour votre commodité, le « Guide d'ajustement du mode » se trouve également à l'intérieur du couvercle latéral.

<b>Chasse après 24 heures activée</b>	Permet au robinet de chasse de s'activer automatiquement après 24 heures d'inactivité afin de nettoyer le garde-d'eau.
<b>Sonnerie d'alarme</b>	L'alarme sonne lorsque la pile est faible. Si vous ne voulez pas que l'alarme sonne, vous pouvez désactiver cette fonctionnalité à l'aide des commutateurs.



## 9 REMPLACEMENT DES PILES – Fig. 8

1. Retirez le SUPPORT DE PILES (1) en desserrant la VIS (3).
2. Remplacez les 4 piles alcalines « C » (2). (Remarque : Pour assurer le bon fonctionnement, remplacez les 4 piles en même temps)



## 10 GUIDE DE L'INDICATEUR VISUEL – Fig. 12

**Utilisateur – devant le capteur DEL (1)** – 5 secondes après qu'un utilisateur se place devant le capteur, un voyant vert clignote 3 fois. (Pendant la séquence de démarrage, le voyant vert clignote en continu pendant 7 minutes lorsqu'un utilisateur est devant le capteur.)

**DEL de la pile (2)** – Le voyant jaune clignote indiquant que les 4 piles alcalines « C » doivent être remplacées.

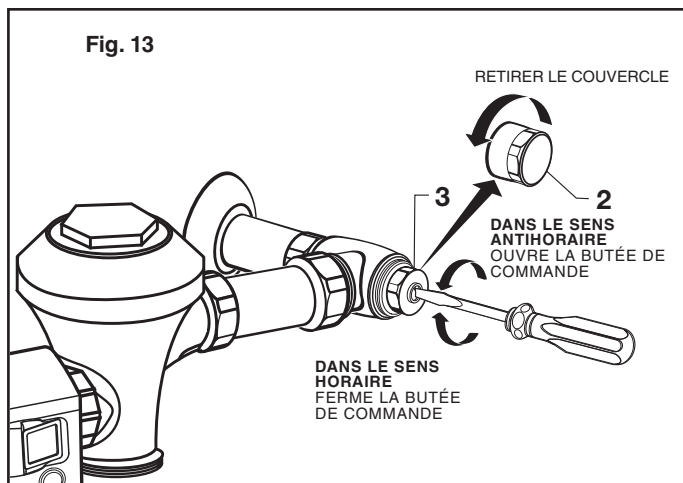
**Objet devant le capteur (3)** – Détecte un utilisateur ou un objet.

**Bouton-poussoir mécanique** – Permet d'activer la chasse manuellement au besoin et lorsque les piles sont à plat.

## 11 RÉGLAGE DU ROBINET D'ARRÊT ; Fig. 13

**IMPORTANT :** Pour éviter tout débordement, le ROBINET D'ARRÊT (3) ne doit jamais être ouvert à un niveau où le flux libéré par le robinet est supérieur à la capacité de l'appareil. Le robinet est conçu pour fournir le volume de chasse indiqué avec un débit de 25 gpm pour la toilette et un débit de 10 gpm pour l'urinoir.

1. Enlevez le COUVERCLE (2) du ROBINET D'ARRÊT (3). Ouvrez l'alimentation en eau d'un quart de tour jusqu'à un demi-tour (dans le sens antihoraire) et assurez-vous qu'il n'y a pas de fuite. Remarque : La chasse de l'unité doit fonctionner durant environ 5 à 10 secondes lorsque l'alimentation en eau est ouverte pour la première fois.
2. Poussez la POIGNEÉ (4) vers le bas pour tirer la chasse.
3. Réglez le ROBINET D'ARRÊT (3) après chaque chasse jusqu'à ce que le volume de chasse indiqué soit atteint, qu'il n'y ait pas d'éclaboussures et que le produit soit correctement nettoyé.
4. Lorsque le réglage est terminé, remplacez et serrez le COUVERCLE (2) pour vous assurer qu'il est résistant au vandalisme.

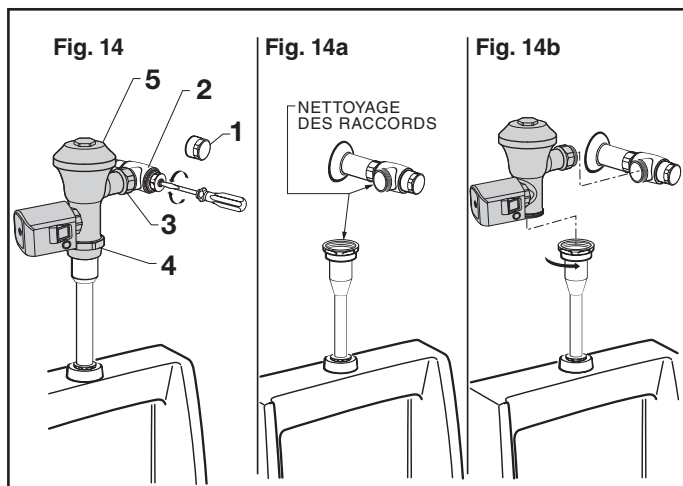


## 12 RÉNOVATION DU ROBINET ; Fig. 14

(Remplace les robinets manuels et électroniques aux normes de l'industrie)

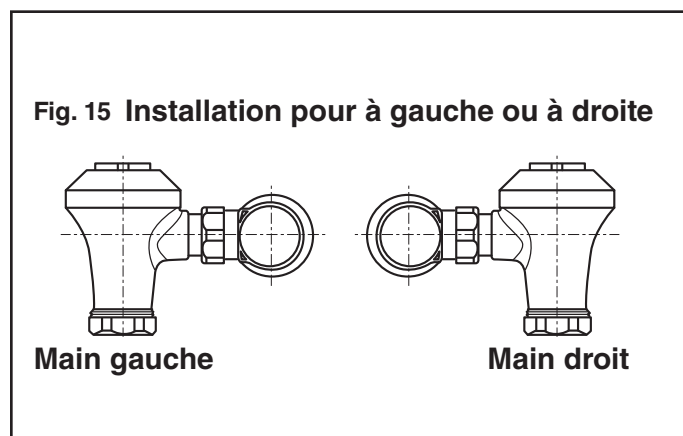
**Remarque :** Pour la majorité des rénovations, la plaque de finition murale, le robinet d'arrêt, le tube de revêtement et le reniflard ne doivent pas être remplacés. Si ces éléments doivent être remplacés, ils doivent être achetés séparément ou l'assemblage du robinet de chasse d'American Standard en entier doit être commandé.

1. Enlevez le COUVERCLE (1) du ROBINET D'ARRÊT (2) s'il a été installé. Fig. 14.
2. Coupez l'alimentation en eau. Fig. 14.
3. Dévissez l'ÉCROU DE RACCORDEMENT (3) et l'ÉCROU DE RACCORDEMENT DU RENIFLARD (4). Retirez le ROBINET DE CHASSE (5). Fig. 4a.
4. Nettoyez tous les raccords filetés avant d'installer le nouveau robinet de chasse. Fig. 14a.
5. Consultez les sections 4, 5 et 6 pour achever la rénovation. Fig. 14b.



## 13 INSTALLATION À GAUCHE OU À DROITE ; Fig. 15

1. Le ROBINET DE CHASSE peut être installé à droite ou à gauche.
2. Orientez le ROBINET DE CHASSE vers la position souhaitée pour une installation à droite ou à gauche, comme illustré à la Fig. 13.





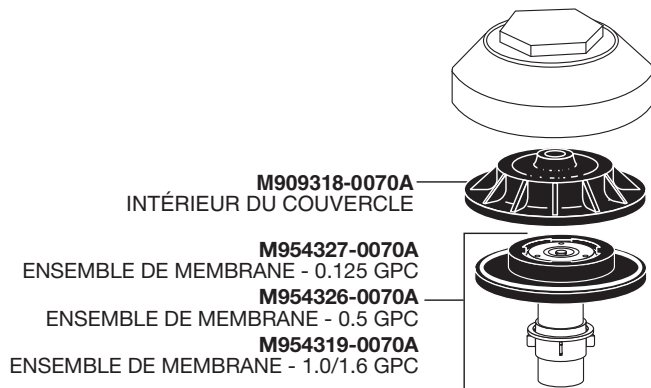
*American Standard*

# Ultima,<sup>MC</sup> robinet de chasse à capteur

## Bouton latéral, type à diaphragme

NUMÉRO DE  
MODÈLE

**6145SM**



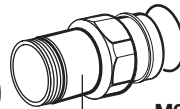
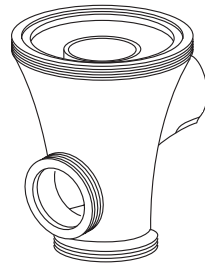
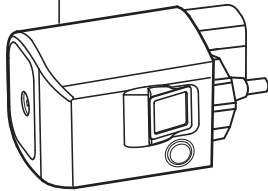
**M909318-0070A**  
INTÉRIEUR DU COUVERCLE

**M954327-0070A**  
ENSEMBLE DE MEMBRANE - 0.125 GPC

**M954326-0070A**  
ENSEMBLE DE MEMBRANE - 0.5 GPC

**M954319-0070A**  
ENSEMBLE DE MEMBRANE - 1.0/1.6 GPC

**SMGODIA.002**  
MANETTE  
LATÉRALE



**A912809-0070A**  
PIÈCE DE RACCORDEMENT  
JOINT TORIQUE

**M964945-0020A**  
PIÈCE DE RACCORDEMENT RÉGLABLE  
(Raccordement de 4-1/4 po à 5-1/4 po)

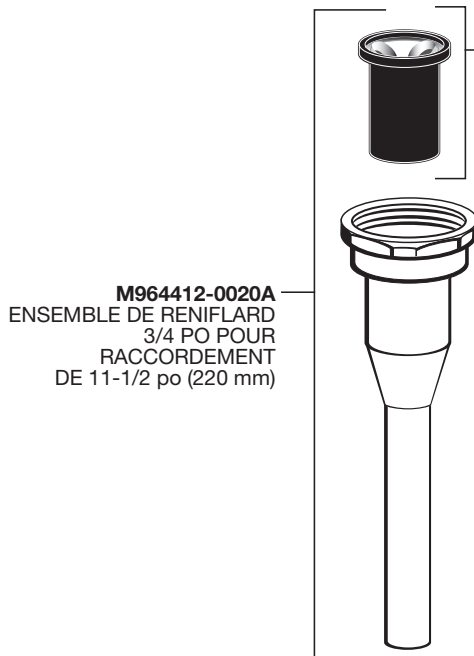
PIÈCE DE RACCORDEMENT RÉGLABLE EN OPTION  
(à acheter séparément)

**M962836-0020A** (Raccordement de 8-1/4 po À 9-1/4 po)

**M962835-0020A** (Raccordement de 7-1/4 po À 8-1/4 po)

**M962834-0020A** (Raccordement de 6-1/4 po À 7-1/4 po)

**M962833-0020A** (Raccordement de 5-1/4 po À 6-1/4 po)



**M964412-0020A**  
ENSEMBLE DE RENIFLARD  
3/4 PO POUR  
RACCORDEMENT  
DE 11-1/2 po (220 mm)

**M964402-0070A**  
TROUSSE DE RÉPARATION  
POUR RENIFLARD À  
BP ÉLEVÉ

**M964075-0070A**  
ADAPTATEUR POUR BRASAGE  
TENDRE DE 3/4 PO

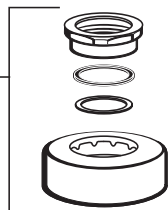
**M952261-0020A**  
ENSEMBLE DE  
TUYAU D'ENTRÉE  
DE 3/4 PO

**M955058-0020A**  
ROBINET D'ARRÊT DE 3/4 po

**M970355-0020A**  
TROUSSE DE  
RÉPARATION POUR  
ROBINET D'ARRÊT

**M924347-0020A**  
CAPUCHON DU  
ROBINET D'ARRÊT

**M952262-0020A**  
TROUSSE DE  
PLAQUE DE FINITION



LIGNE D'ASSISTANCE TÉLÉPHONIQUE  
Pour toutes questions, appeler sans frais :  
855 752-9259

Du lundi au vendredi de 8 h à 18 h, HNE  
AU MEXIQUE 01-800-839-1200

AU CANADA 1-800-387-0369 (TORONTO 1-905-306-1093)  
Du lundi au vendredi de 8 h à 19 h, HNE

Les noms des produits énoncés dans les présentes sont des marques de commerce d'American Standard Inc. 2019

Apprendre plus de la Norme American Standard Selectronic® les Produits visitent notre site Internet à:  
[www.americanstandard-us.com](http://www.americanstandard-us.com) ou l'e-mail nous à: [CRITEAM@lifixamericas.com](mailto:CRITEAM@lifixamericas.com)

PART OF LIXIL

*American Standard*

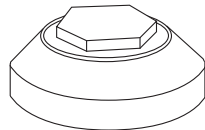
# Ultima,<sup>MC</sup> robinet de chasse à capteur

## Bouton latéral, type à diaphragme

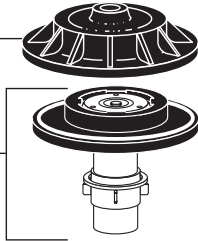
NUMÉRO DE  
MODÈLE

**6147SM**

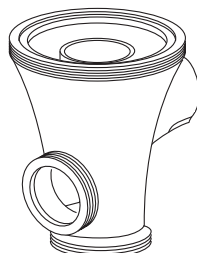
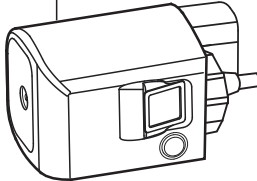
**M909318-0070A**  
INTÉRIEUR DU COUVERCLE



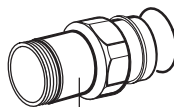
**M954323-0070A**  
ENSEMBLE DE MEMBRANE 1.1 GPC  
**M954322-0070A**  
ENSEMBLE DE MEMBRANE 1.28 GPC  
**M954319-0070A**  
ENSEMBLE DE MEMBRANE 1.0/1.6 GPC



**SMGODIA.002**  
MANETTE  
LATÉRALE



**A912809-0070A**  
PIÈCE DE RACCORDEMENT  
JOINT TORIQUE



**M964945-0020A**  
PIÈCE DE RACCORDEMENT RÉGLABLE  
(Raccordement de 4-1/4 po à 5-1/4 po)

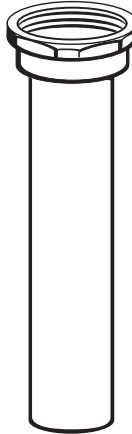
PIÈCE DE RACCORDEMENT RÉGLABLE EN OPTION  
(à acheter séparément)

**M962836-0020A** (Raccordement de 8-1/4 po À 9-1/4 po)  
**M962835-0020A** (Raccordement de 7-1/4 po À 8-1/4 po)  
**M962834-0020A** (Raccordement de 6-1/4 po À 7-1/4 po)  
**M962833-0020A** (Raccordement de 5-1/4 po À 6-1/4 po)

**M964402-0070A**  
TROUSSE DE RÉPARATION  
POUR RENIFLARD À  
BP ÉLEVÉ

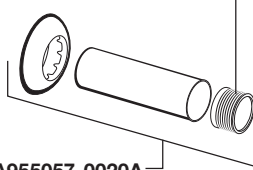


**M964411-0020A**  
ENSEMBLE DE RENIFLARD,  
RACCORDEMENT  
DE 11-1/2 po (220 mm)



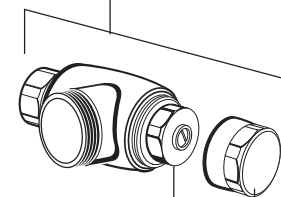
**M964413-0020A**  
ENSEMBLE DE RENIFLARD,  
RACCORDEMENT  
DE 27 po (686 mm)

**A955057-0020A**  
ENSEMBLE DE  
TUYAU D'ENTRÉE  
DE 1 PO



**M962926-0070A**  
ADAPTATEUR POUR BRASAGE  
TENDRE DE 1 PO

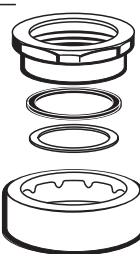
**A955056-0020A**  
ROBINET D'ARRÊT DE 1 po



**M970355-0020A**  
TROUSSE DE  
RÉPARATION POUR  
ROBINET D'ARRÊT

**M924347-0020A**  
CAPUCHON DU  
ROBINET D'ARRÊT

**M952269-0020A**  
TROUSSE DE  
PLAQUE DE FINITION



LIGNE D'ASSISTANCE TÉLÉPHONIQUE  
Pour toutes questions, appeler sans frais :  
855 752-9259

Du lundi au vendredi de 8 h à 18 h, HNE  
AU MEXIQUE 01-800-839-1200

AU CANADA 1-800-397-0369 (TORONTO 1-905-306-1093)  
Du lundi au vendredi de 8 h à 19 h, HNE

Les noms des produits énoncés dans les présentes sont des marques de commerce d'American Standard Inc. 2019

Apprendre plus de la Norme American Standard Selectronic® les Produits visitent notre site Internet à:  
[www.americanstandard-us.com](http://www.americanstandard-us.com) ou l'e-mail nous à: [CRTTEAM@lifixamericas.com](mailto:CRTTEAM@lifixamericas.com)

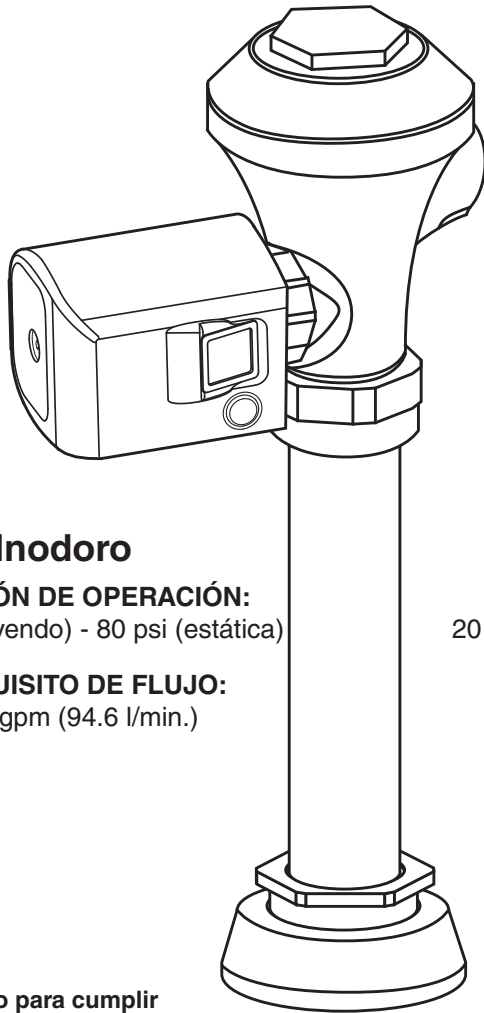


PART OF LIXIL

## Válvula de Descarga Operada por Sensor Ultima™ Con operador de montaje lateral, diafragma

NÚMEROS DE MODELO

6145SM  
6147SM



### Inodoro

**PRESIÓN DE OPERACIÓN:**  
25 psi (fluyendo) - 80 psi (estática)

**REQUISITO DE FLUJO:**  
25 gpm (94.6 l/min.)



### Mingitorio

**PRESIÓN DE OPERACIÓN:**  
20 psi (fluyendo) - 80 psi (estática)

**REQUISITO DE FLUJO:**  
10 gpm (37.9 l/min.)

**Certificado para cumplir con las normas:**

- ASSE 1037
- ANSI/ASME A112.19.2
- ADA Compliant

*American Standard*

**NOTA PARA EL INSTALADOR: Entregue este manual al cliente después de la instalación.**

Para obtener más información sobre los productos American Standard Selectronic®, visite nuestro sitio web: [www.americanstandard-us.com](http://www.americanstandard-us.com) o envíenos un correo electrónico a: [CRTTEAM@lixilamericas.com](mailto:CRTTEAM@lixilamericas.com)

Para refacciones, servicio, garantía u otra asistencia, por favor llame al  
(844) CRT-TEAM / (844) 278-8326 (en Canadá: 1-800-387-0369)  
(En Toronto únicamente: 1-905-306-1093)

*American Standard*  
**CRT**  
Certified Response Technician

Gracias por elegir American Standard...el referente de fina calidad por más de 100 años. Para asegurarse que su instalación proceda correctamente, por favor lea estas instrucciones antes de comenzar.

## DESEMBALAJE

Todos Los Productos De American Standard Son Probados Con Agua En La Fábrica. Puede Haber Agua En La Llave Al Recibirla.

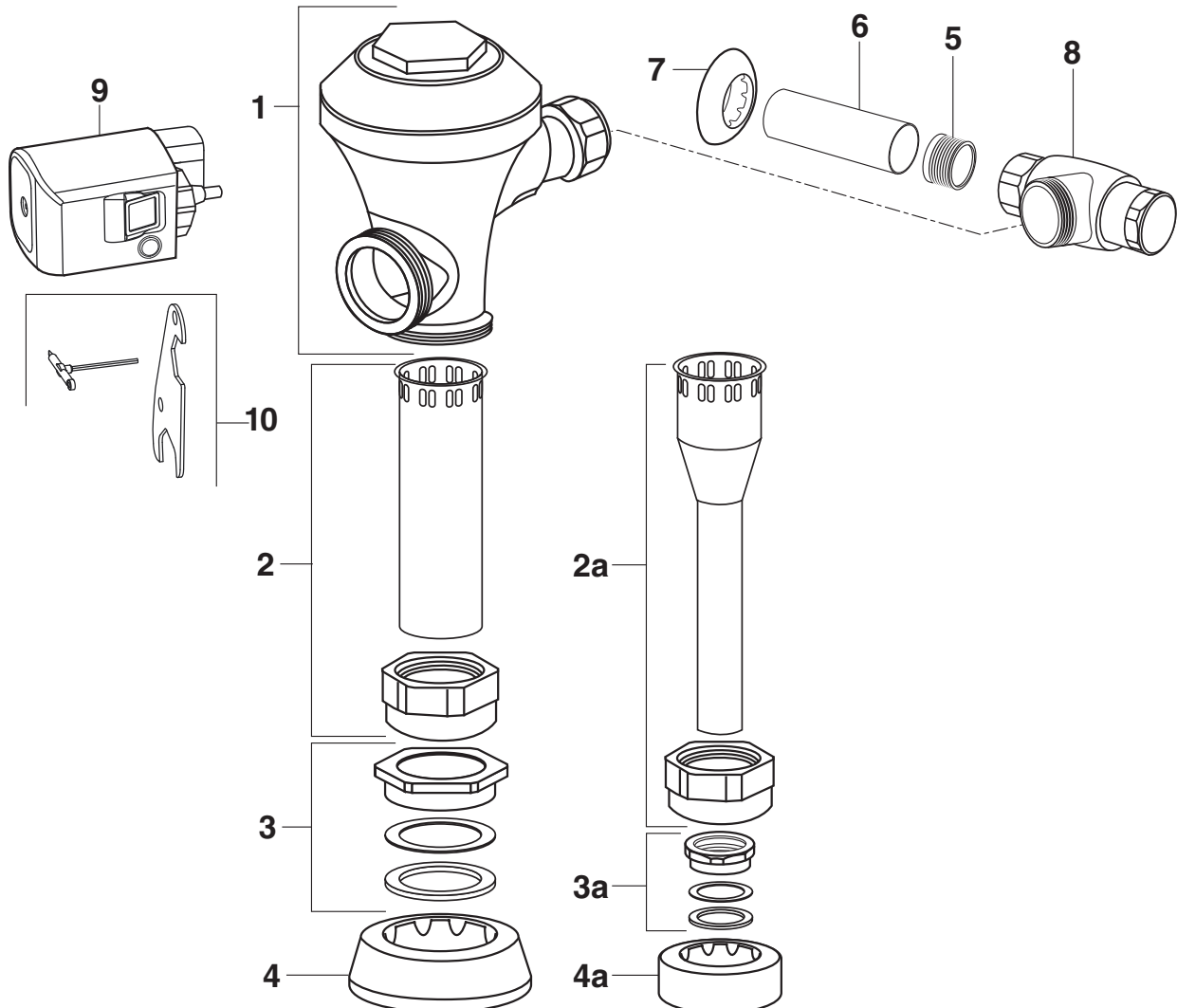
1. Remueva del cartón los componentes de la Válvula de Descarga. La ilustración de abajo muestra todos los componentes una vez removidos de la caja. Algunos componentes pueden estar empacados parcialmente ensamblados con otros.

- |   |                                |
|---|--------------------------------|
| 1. Conjunto de la válvula de descarga                           | 5. Adaptador de soldadura      |
| 2. Conjunto de la válvula de contraflujo para inodoro           | 6. Tubo de cubierta            |
| 2a. Conjunto de la válvula de contraflujo para mingitorio       | 7. Chapetón de pared           |
| 3. Tuerca y arandelas de acoplamiento del spud para inodoro     | 8. Cierre del suministro       |
| 3a. Tuerca y arandelas de acoplamiento del spud para mingitorio | 9. Operador de montaje lateral |
| 4. Brida del spud para inodoro                                  | 10. Kit de llaves              |
| 4a. Brida del spud para mingitorio                              |                                |

### INSTRUCCIONES DE CUIDADO PARA LOS COMPONENTES CROMADOS:

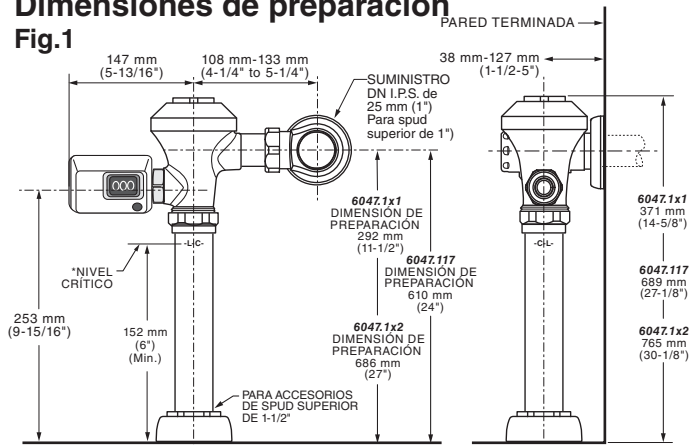
DEBE: LAVAR EL PRODUCTO SÓLO CON AGUA LIMPIA. SECAR CON UN PAÑO SUAVE DE ALGODÓN.

NO DEBE: LIMPIAR EL PRODUCTO CON JABONES, ÁCIDO, PASTA, ABRASIVOS, LIMPIADORES DUROS NI CON UN PAÑO DE SUPERFICIE GRUESA.



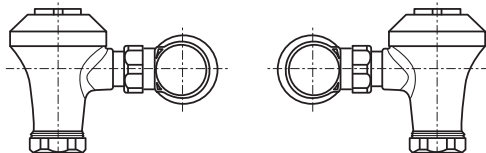
## Dimensiones de preparación

Fig.1

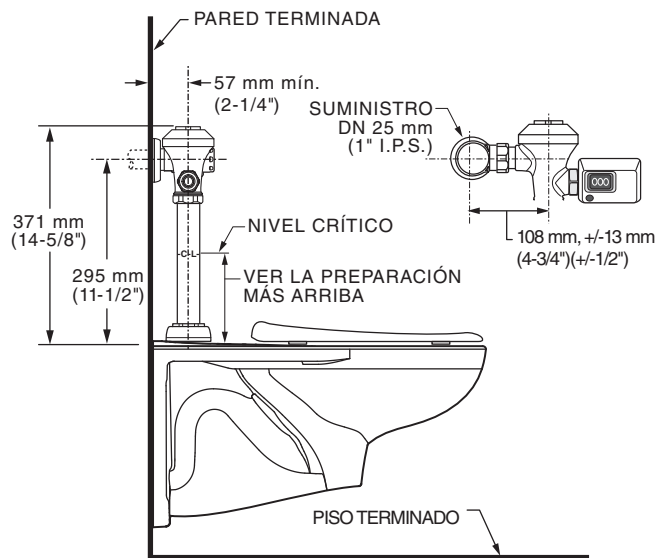


\*Nota: La línea crítica (-L-C-) de la válvula de contraflujo debe estar típicamente a 6" (152 mm) como mínimo por encima del accesorio. Consulte los códigos para obtener más detalles.

Instalación a la derecha o a la izquierda

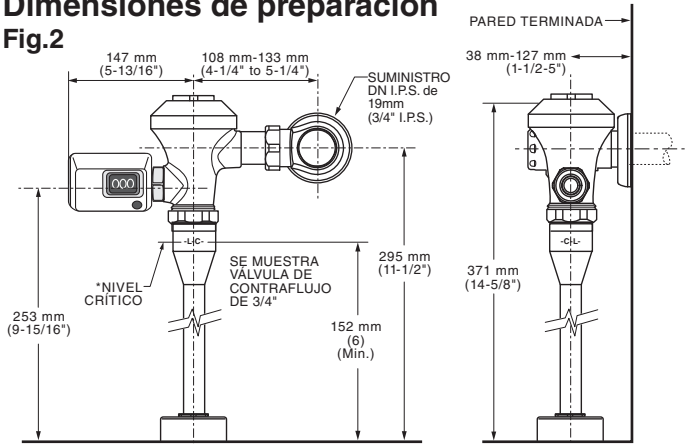


### INSTALACIÓN TÍPICA PARA LA TAZA DEL INODORO SE MUESTRA EL INODORO AFWALL™



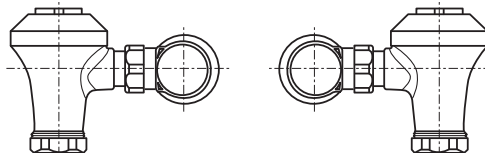
## Dimensiones de preparación

Fig.2

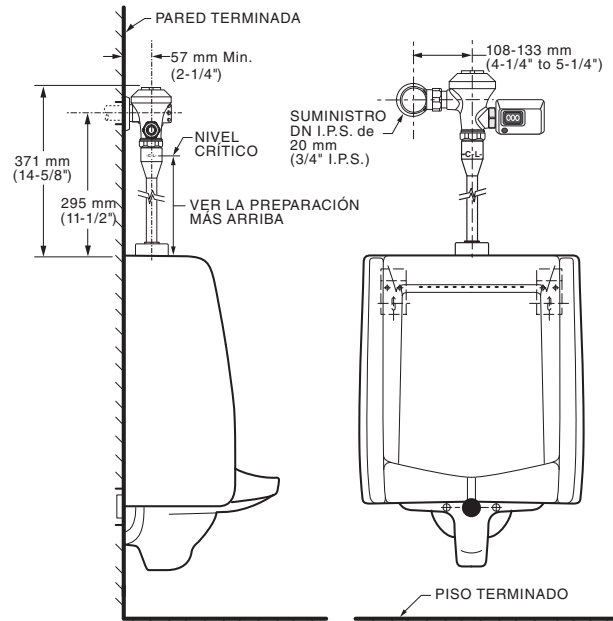


\*Nota: La línea crítica (-L-C-) de la válvula de contraflujo debe estar típicamente a 6" (152 mm) como mínimo por encima del accesorio. Consulte los códigos para obtener más detalles.

Instalación a la derecha o a la izquierda

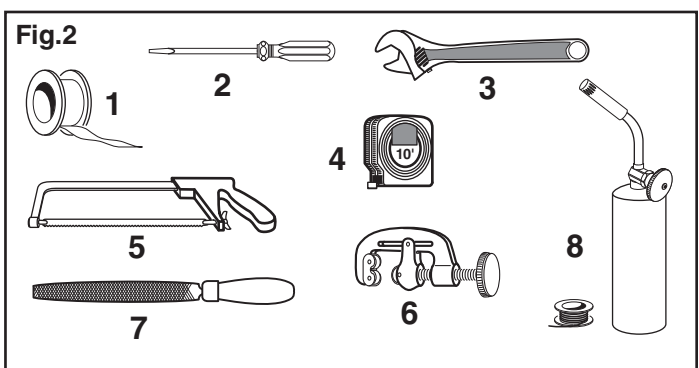


### INSTALACIÓN TÍPICA PARA EL MINGITORIO: SE MUESTRA EL MINGITORIO WASHBROOK



## HERRAMIENTAS RECOMENDADAS; Fig. 2

1. Cinta de Teflón
2. Destornillador de Punta Plana
3. Llave Ajustable
4. Cinta Métrica
5. Sierra de Arco
6. Cortador de tubos
7. Lima
8. Equipo de Soldadura y Soplete Para la Conexión



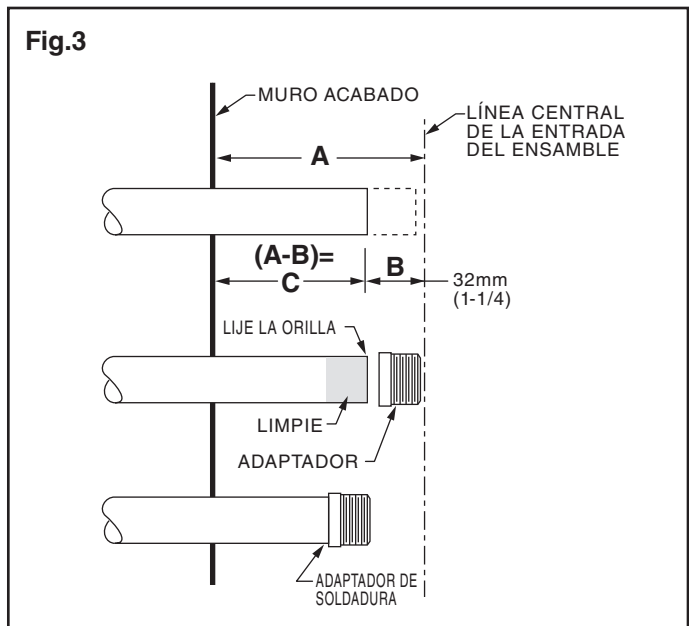
# INSTALACIÓN DE LA VÁLVULA DE DESCARGA

## 1 INSTALE EL ADAPTADOR DE SOLDADURA; Fig. 3

**PRECAUCIÓN** Cierre los suministros de agua caliente y fría antes de comenzar.

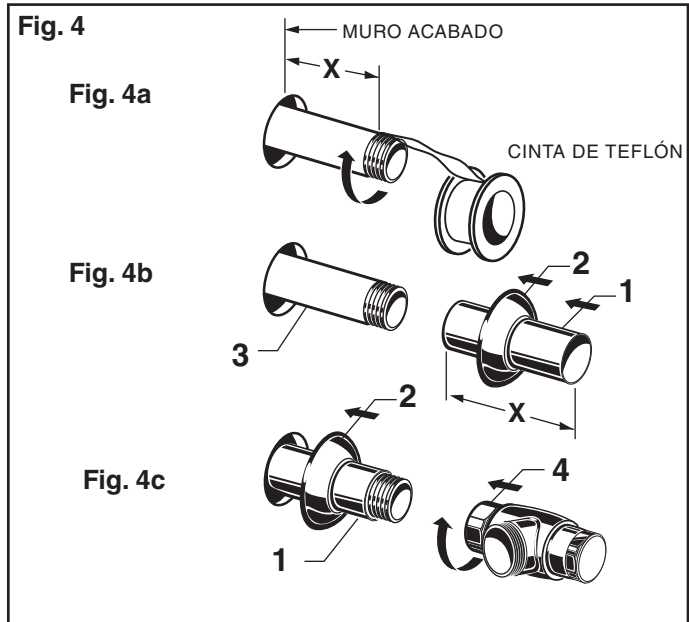
**Nota:** Instale el Adaptador de Soldadura Opcional (Incluido) para la línea de alimentación de cobre. Fig. 3.

1. Mida la distancia (A) desde el muro acabado hasta el centro de la entrada del ensamble.
2. Corte la línea de alimentación 1-1/4" (A-B=C) mas corta que la medida tomada en el Paso 1. Lije cualquier extremo rugoso de la tubería.
3. Limpie el extremo de la tubería de alimentación. Presione el Adaptador estriado hasta que se asiente contra el borde interno. Solde el Adaptador a la tubería.



## 2 INSTALE EL TUBO DE CUBIERTA EL CHAPETÓN y EL BORDE DE ALIMENTACIÓN; Fig. 4

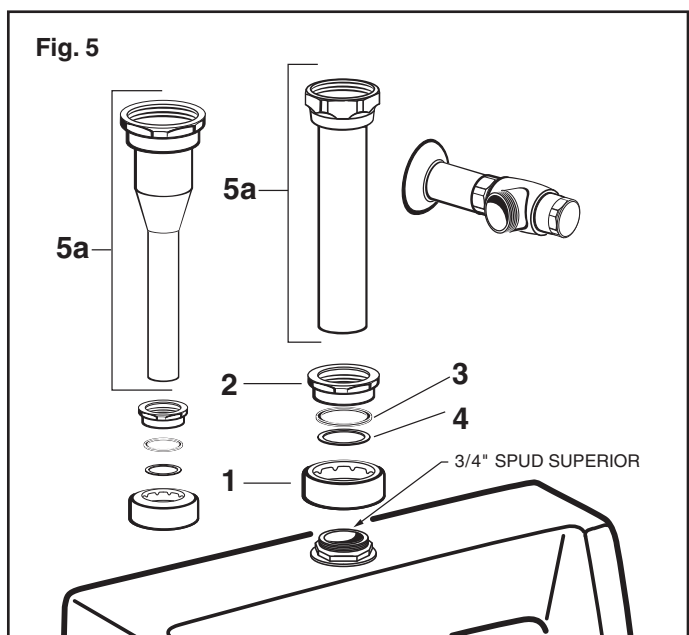
1. Mida desde el muro hasta la primer rosca del Adaptador o la tubería de alimentación (dimensión "X"). Corte el TUBO DE CUBIERTA (1) a la longitud (X). Ponga Cinta de Teflón en el lado estriado del Adaptador o tubería de alimentación. Fig. 4a.
2. Presione el TUBO DE CUBIERTA (1) en el CHAPETÓN DEL MURO (2). Deslicelos en la TUBERÍA DE ALIMENTACIÓN (3). Fig. 4b.
3. Presione el TUBO DE CUBIERTA (1) para exponer la rosca del tubo de alimentación. Fig. 4c. Con una llave enrosque el BORDE DE ALIMENTACIÓN (4) en la TUBERÍA DE ALIMENTACIÓN (3). Alinee y apriete. Fig. 4c.
4. Jale el TUBO DE CUBIERTA (1) Contra el BORDE DE ALIMENTACIÓN (4) y presione el CHAPETÓN DEL MURO (2) contra la pared acabada.



## 3 INSTALE EL TUBO DE BAJADA Y EL IGUALADOR DE PRESIÓN; Fig. 5

1. Coloque la BASE DE ENTRADA (1) sobre la entrada del Ensamble.
2. Enrosque la TUERCA DE ASOCIACIÓN DE LA ENTRADA (2) en la Entrada. Asegúrese que la ARANDELA SELLADORA (3) y la ARANDELA DE FRICCIÓN (4) estén instaladas. No apriete por completo.
3. Inserte el TUBO DE BAJADA (5) en la TUERCA DE into the SPUD COUPLING NUT (2) and presiónela.

**Nota:** Si va a cortar el Tubo de Bajada (5), tome en cuenta que la Línea Crítica (CIL) del Igualador de Presión debe ser normalmente de 6" (152mm) sobre el ensamble. Consulte Códigos para detalles.



## 4 INSTALAR LA VÁLVULA DE DESCARGA; Fig. 6a & 6b

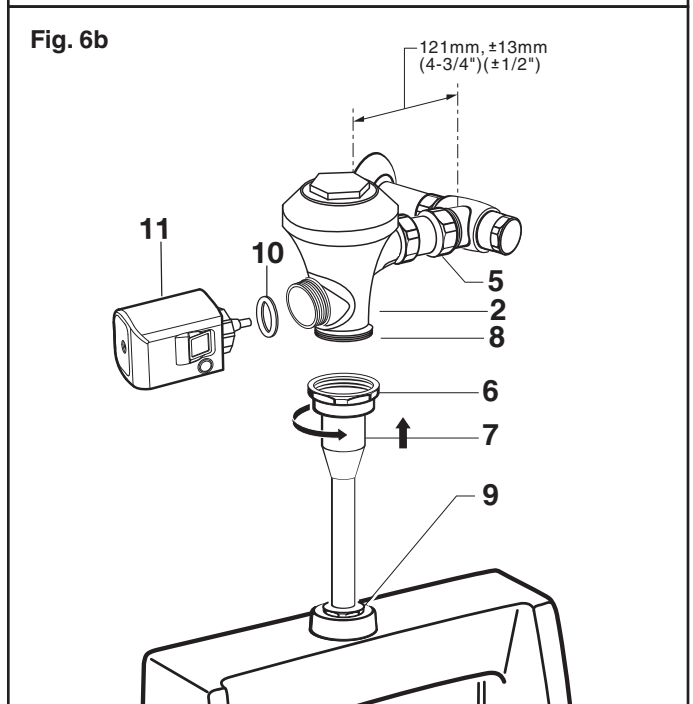
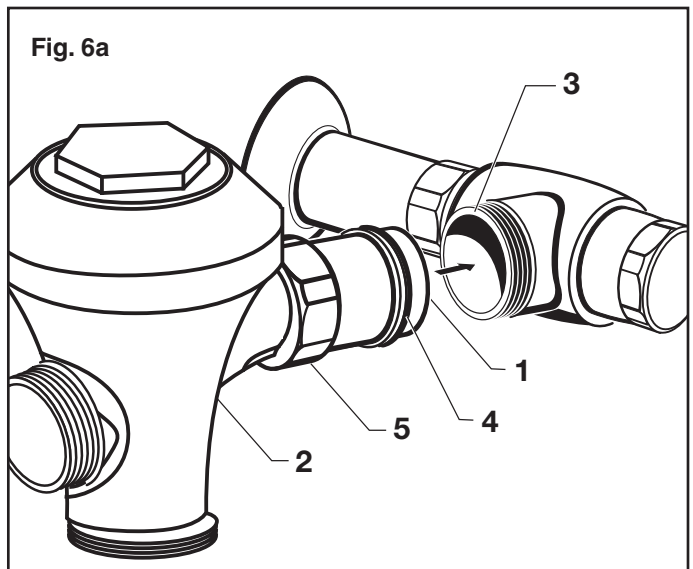
1. Como se muestra en la Fig. 6a, inserte la PIEZA POSTERIOR (1) en la VÁLVULA DE DESCARGA (2) y dentro del CIERRE DEL SUMINISTRO (3). Si es necesario, lubrique el ANILLO O DE LA BRIDA DE ENTRADA (4) con agua. Ajuste levemente la TUERCA DE ACOPLAMIENTO (5). Fig. 6a.

**Importante: No use lubricante (sólo agua) ni ningún tipo de pasta ni cinta para sellar roscas.**

2. Alinee la VÁLVULA DE DESCARGA (2) (Fig. 6b) directamente por encima de la VÁLVULA DE CONTRAFLUJO (7) y la TUERCA DE ACOPLAMIENTO DE LA VÁLVULA DE CONTRAFLUJO (6).

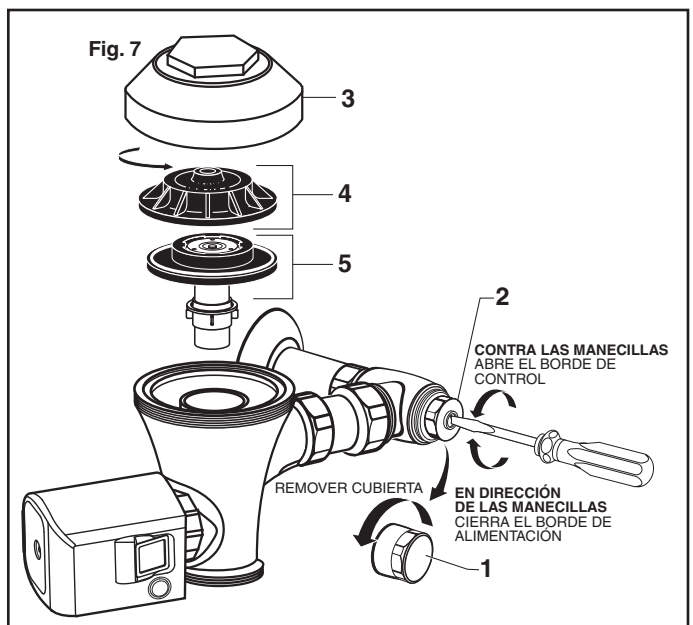
**Nota: Hay una tolerancia de  $\pm 13$  mm, ( $\pm 1/2$ ) para la dimensión de 121 mm (4-3/4). Fig. 6b.**

3. Jale la TUERCA DE ACOPLAMIENTO DE LA VÁLVULA DE CONTRAFLUJO (6) hacia arriba para unirlo con la CONEXIÓN DE LA VÁLVULA DE DESCARGA roscada (8) y ajuste a mano. Alinee todos los componentes del conjunto de la válvula de descarga. Fig. 6b.
4. Primero ajuste levemente la conexión de la TUERCA DE ACOPLAMIENTO (5), luego la TUERCA DE ACOPLAMIENTO DE LA VÁLVULA DE CONTRAFLUJO (6) y finalmente la TUERCA DE ACOPLAMIENTO DEL SPUD (9). Una vez que estén bien alineadas, utilice una llave para ajustar los acoplamientos para lograr conexiones herméticas Fig. 6b.
5. Después de instalar el EMPAQUE PLANO (10) en la UNIDAD DE DESCARGA (11), instale la UNIDAD DE DESCARGA (11). Fig. 6b.



## 5 FLUSH OUT SUPPLY LINES; Fig. 7

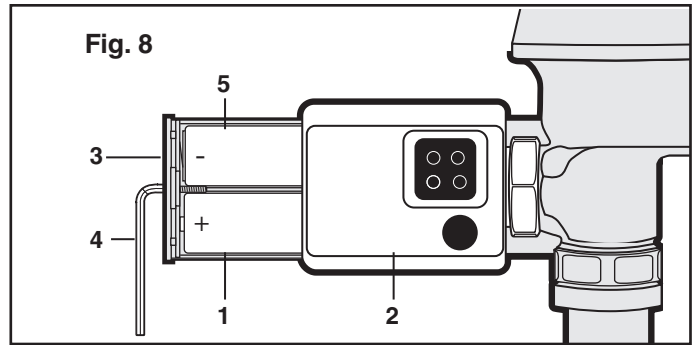
1. Make sure supply stop is closed. Remove COVER (1) from SUPPLY STOP (2). With a flat blade screwdriver close CONTROL STOP (2).
2. Remove FLUSH VALVE CAP (3 & 4). Pull out DIAPHRAGM ASSEMBLY (5). Replace FLUSH VALVE CAP (3 & 4) and tighten.
3. With a flat blade screwdriver open SUPPLY STOP (2) to flush line of any debris or sediment.
4. Close SUPPLY STOP (2). Remove FLUSH VALVE CAP (3 & 4). Replace DIAPHRAGM ASSEMBLY (5). Replace FLUSH VALVE CAP (3 & 4) and tighten.



## 6 ACTIVACIÓN; Fig. 8

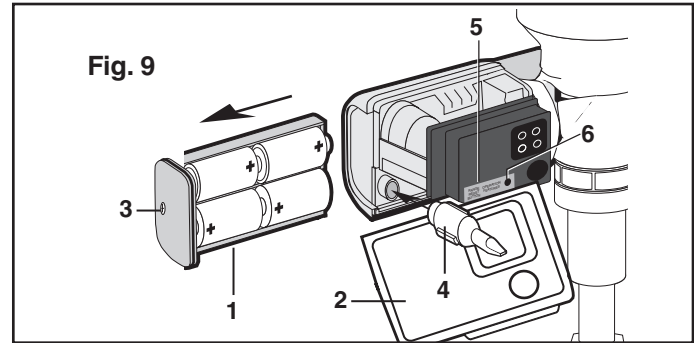
**Nota:** Las cuatro (4) baterías con celda "C" no vienen instaladas de fábrica dentro de la unidad de descarga.

1. Cargue 4 BATERÍAS alcalinas "C" (5) en la BANDEJA DE LAS BATERÍAS (1).
2. Instale la bandeja de las baterías en el OPERADOR DE MONTAJE LATERAL (2) y ajuste el TORNILLOS (3) usando la LLAVE (4) suministrada.  
(Nota: las tres últimas vueltas de la llave activarán la unidad de descarga automática)



## 7 AJUSTAR LA DISTANCIA DEL SENSOR; Fig. 8 y 9

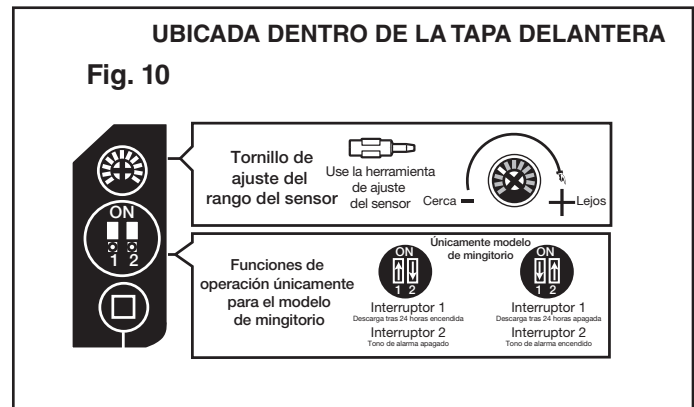
1. Retire la BANDEJA DE LAS BATERÍAS (1) aflojando el TORNILLO (3). Fig. 9
2. Retire la TAPA DELANTERA (2) y retire la HERRAMIENTA DE AJUSTE DEL SENSOR (4). Fig. 9
3. Vuelva a instalar la BANDEJA DE LAS BATERÍAS (1) y el TORNILLO (3) en la unidad. Fig. 9
4. Presione el BOTÓN PARA RESTABLECER EL RANGO (5) (Cuando haya un objeto a la vista, una luz verde brillará durante los 7 minutos del período de descanso). Fig. 9
5. SPárese a la distancia deseada y use la HERRAMIENTA DE AJUSTE DEL SENSOR (4) para girar el TORNILLO DE AJUSTE DEL SENSOR (6) lo más que pueda en sentido antihorario y luego en sentido horario hasta que el LED verde empiece a brillar. Fig. 9



## 8 AJUSTAR LOS MODOS DE OPERACIÓN; Fig. 9 y 10

La UNIDAD DE DESCARGA incluye diferentes modos de operación. Retire la TAPA DELANTERA (2) aflojando el TORNILLO (3) con una llave y retirando la BANDEJA DE LAS BATERÍAS (1). Consulte la "Guía de ajuste de modos" para cambiar la configuración. La "Guía de ajuste de modos" también se encuentra en el interior de la tapa lateral para su comodidad.

<b>Descarga tras 24 horas encendida</b>	Permite que la válvula de descarga se descargue automáticamente después de un período de 24 horas de falta de uso para mantener el empaque de la trampa.
<b>Tono de alarma</b>	Hace ruido cuando la batería se está agotando. Si no quiere que haga ruido, puede apagar esta función usando los interruptores.



## 9 REEMPLAZO DE BATERÍAS; Fig. 8

1. Retire la BANDEJA DE LAS BATERÍAS (1) aflojando el TORNILLO (3).
2. Reemplace las 4 BATERÍAS alcalinas "C" (2). (Nota: Reemplace las 4 baterías al mismo tiempo para un funcionamiento adecuado)

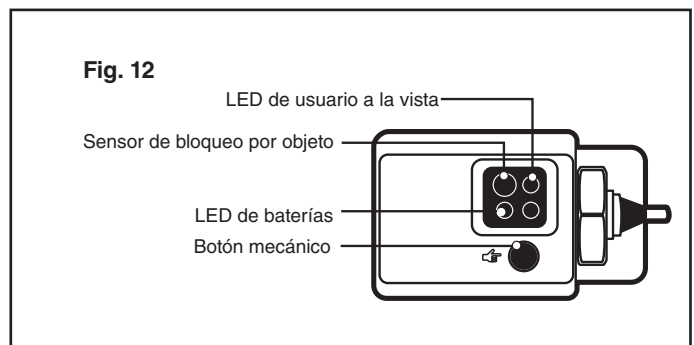
## 10 GUÍA DE INDICADORES VISUALES; Fig. 12

**LED de usuario a la vista (1):** 5 segundos después de que un usuario está a la vista, una luz verde brilla 3 veces (durante la secuencia de inicio, la luz verde brilla constantemente durante 7 minutos cuando hay un usuario a la vista).

**LED de baterías (2):** la luz amarilla brilla, lo que indica que todas las 4 baterías alcalinas "C" necesitan reemplazarse.

**Sensor de bloqueo por objeto (3):** detecta a un usuario o un objeto.

**Botón mecánico:** permite la activación manual de la descarga cuando se necesita y cuando se agotan las baterías.

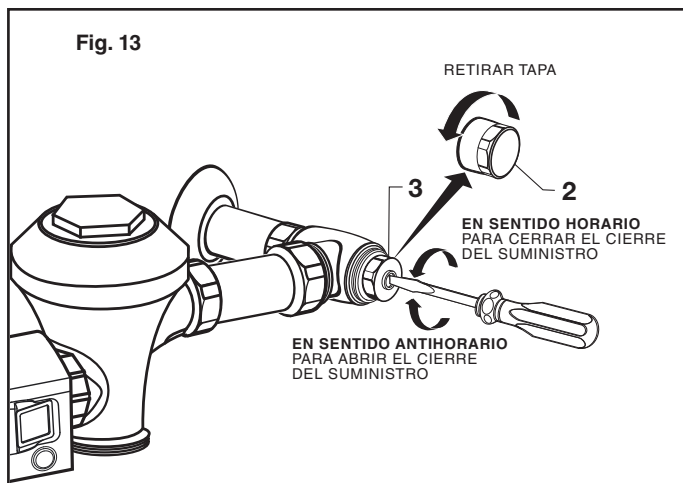




## 11 AJUSTAR EL CIERRE DEL SUMINISTRO; Fig. 13

**IMPORTANTE:** Para evitar desbordes, el CIERRE DEL SUMINISTRO (3) nunca debe abrirse hasta el punto en que el flujo de la válvula excede la capacidad de flujo del accesorio. La válvula fue diseñada para ofrecer el volumen de descarga declarado con un caudal de 25 gpm para el inodoro y 10 gpm para el mingitorio.

1. Retire la TAPA (2) del CIERRE DEL SUMINISTRO (3). Encienda el suministro de agua de 1/4 de giro a 1/2 giro (en sentido antihorario) y verifique que no haya fugas. Nota: La unidad puede descargarse durante a proximadamente 5 a 10 segundos la primera vez que se enciende el agua.
2. Empuje la MANIJA (4) hacia abajo para iniciar la descarga.
3. Ajuste el CIERRE DEL SUMINISTRO (3) después de cada descarga hasta lograr el volumen de descarga declarado, no haya salpicaduras y el accesorio se haya limpiado correctamente.
4. Cuando el ajuste esté completo, vuelva a instalar la TAPA (2) y ajuste para asegurar la resistencia al vandalismo.

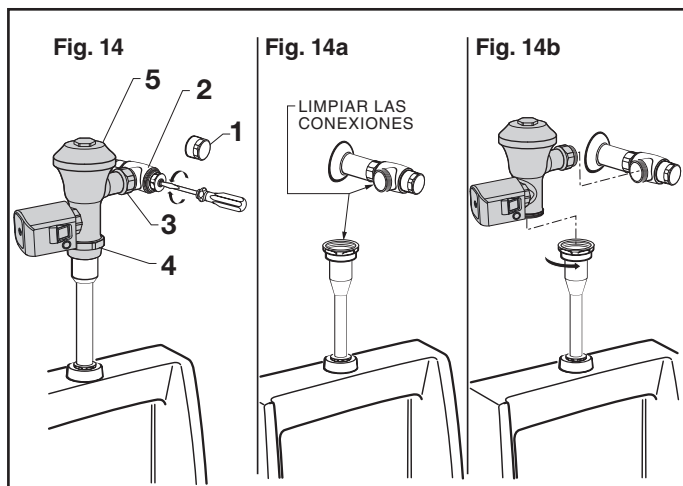


## 12 CÓMO MODERNIZAR NUESTRA VÁLVULA; Fig. 14

(Reemplace las válvulas manual estándar y electrónica de la industria)

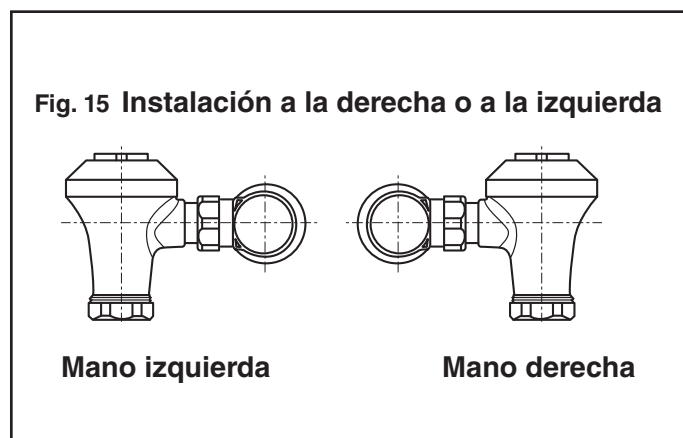
**Nota:** En la mayoría de las modernizaciones, deben reemplazarse el chapetón de pared, el cierre del suministro, el tubo de cubierta y la válvula de contraflujo. Si estos artículos necesitan reemplazo, deben comprarse por separado o pedirse el conjunto completo de la válvula de descarga de American Standard.

1. Retire la TAPA (1) del CIERRE DEL SUMINISTRO (2) si se instaló. Fig. 14.
2. Cierre el suministro de agua. Fig. 14.
3. Desenrosque la TUERCA DE ACOPLAMIENTO (3) y la TUERCA DE ACOPLAMIENTO DE LA VÁLVULA DE CONTRAFLUJO (4). Retire la VÁLVULA DE DESCARGA (5). Fig. 4a.
4. Limpie las conexiones roscadas antes de instalar la nueva válvula de descarga. Fig. 14a.
5. Consulte las secciones 4, 5 y 6 para completar la instalación de modernización. Fig. 14b.



## 13 INSTALACIÓN A LA IZQUIERDA O A LA DERECHA; Fig. 15

1. La VÁLVULA DE DESCARGA ofrece la opción de instalación a la derecha o a la izquierda.
2. Oriente la VÁLVULA DE DESCARGA como se muestra en la Fig. 13 en la posición deseada para una instalación a la izquierda o a la derecha.



*American Standard*

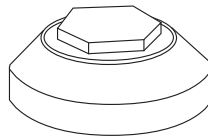
# Válvula de Descarga Operada por Sensor Ultima™

Con operador de montaje lateral, diafragma

NÚMERO DE MODELO

**6145SM**

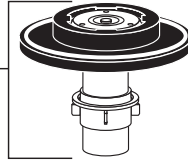
**M909318-0070A**  
TAPA INTERIOR



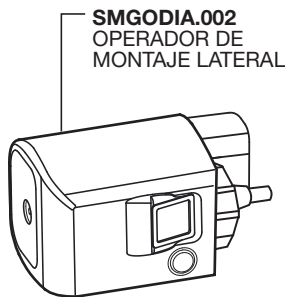
**M954327-0070A**  
CONJUNTO DEL DIAFRAGMA - 0.125 G/D



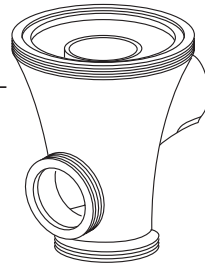
**M954326-0070A**  
CONJUNTO DEL DIAFRAGMA - 0.5 G/D



**M954319-0070A**  
CONJUNTO DEL DIAFRAGMA - 1.0/1.6 G/D



**SMGODIA.002**  
OPERADOR DE MONTAJE LATERAL



**A912809-0070A**  
PIEZA POSTERIOR DE ANILLO O

**M964945-0020A**  
PIEZA POSTERIOR AJUSTABLE  
(preparación de 4-1/4" a 5-1/4")

PIEZA POSTERIOR AJUSTABLE OPCIONAL  
(se compra por separado)

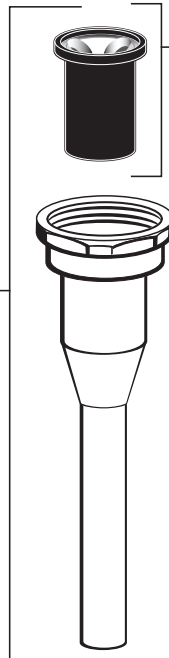
**M962836-0020A** (preparación de 8-1/4" a 9-1/4")

**M962835-0020A** (preparación de 7-1/4" a 8-1/4")

**M962834-0020A** (preparación de 6-1/4" a 7-1/4")

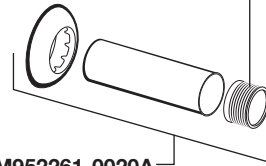
**M962833-0020A** (preparación de 5-1/4" a 6-1/4")

**M964412-0020A**  
CONJUNTO DE LA VÁLVULA DE CONTRAFLUJO DE 3/4" PARA PREPARACIÓN DE 11-1/2" (220 mm)



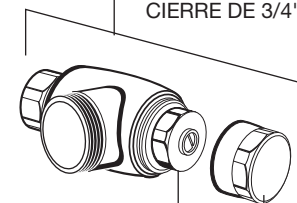
**M964402-0070A**  
KIT DE REPARACIÓN DE LA VÁLVULA DE CONTRAFLUJO DE BP ELEVADO

**M952261-0020A**  
CONJUNTO DE TUBERÍA DE ENTRADA DE 3/4"



**M964075-0070A**  
ADAPTADOR DE SOLDADURA DE 3/4"

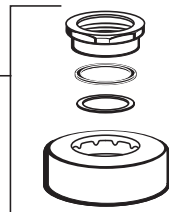
**M955058-0020A**  
VÁLVULA DE CIERRE DE 3/4"



**M970355-0020A**  
KIT DE REPARACIÓN DE LA VÁLVULA DE CIERRE

**M924347-0020A**  
TAPA DE LA VÁLVULA DE CIERRE

**M952262-0020A**  
KIT DEL CHAPETÓN



PART OF LIXIL



LÍNEA DE AYUDA DIRECTA  
Si desea obtener información o tiene preguntas, llame sin cargo al (844) CRT-TEAM / (844) 278-8326  
Los días de semana de 8:00 a.m. a 6:00 p.m. Hora normal del este.  
EN MÉXICO: 01-800-839-1200

EN CANADÁ: 1-800-387-0369 (TORONTO 1-905-306-1093)  
Los días de semana de 8:00 a.m. a 7:00 p.m. Hora normal del este.

Los nombres de producto mencionados en este documento son marcas de comercio de AS America, Inc. © 2019

Para obtener más información sobre los productos American Standard Selectronic™, visite nuestro sitio web: [www.americanstandard-us.com](http://www.americanstandard-us.com) o envíenos un correo electrónico a: [CRTTEAM@lixilamericas.com](mailto:CRTTEAM@lixilamericas.com)

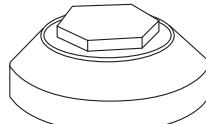
# Válvula de Descarga Operada por Sensor Ultima™

Con operador de montaje lateral, diafragma

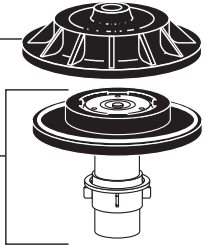
NÚMERO DE MODELO

**6147SM**

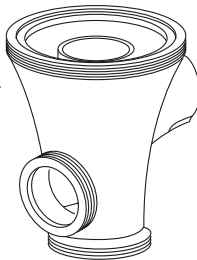
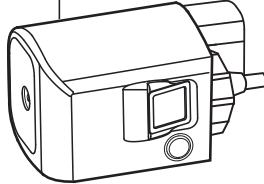
**M909318-0070A**  
TAPA INTERIOR



**M954323-0070A**  
CONJUNTO DEL DIAFRAGMA 1.1 G/D  
**M954322-0070A**  
CONJUNTO DEL DIAFRAGMA 1.28 G/D  
**M954319-0070A**  
CONJUNTO DEL DIAFRAGMA 1.0/1.6 G/D



**SMGODIA.002**  
OPERADOR DE MONTAJE LATERAL



**A912809-0070A**  
PIEZA POSTERIOR DE ANILLO O

**M964945-0020A**  
PIEZA POSTERIOR AJUSTABLE  
(preparación de 4-1/4" a 5-1/4")

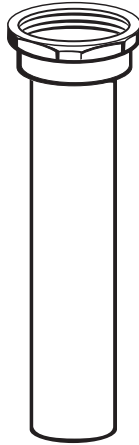
PIEZA POSTERIOR AJUSTABLE OPCIONAL  
(se compra por separado)

**M962836-0020A** (preparación de 8-1/4" a 9-1/4")  
**M962835-0020A** (preparación de 7-1/4" a 8-1/4")  
**M962834-0020A** (preparación de 6-1/4" a 7-1/4")  
**M962833-0020A** (preparación de 5-1/4" a 6-1/4")

**M964402-0070A**  
KIT DE REPARACIÓN DE LA VÁLVULA DE CONTRAFLUJO DE BP ELEVADO



**M964411-0020A**  
VACUUM BREAKER ASSEMBLY 11-1/2" (220 mm) ROUGH-IN



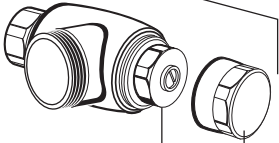
**M964413-0020A**  
VACUUM BREAKER ASSEMBLY 27" (686 mm) ROUGH-IN

**M962926-0070A**  
ADAPTADOR DE SOLDADURA DE 1"

**A955057-0020A**  
CONJUNTO DE TUBERÍA DE ENTRADA DE 1"

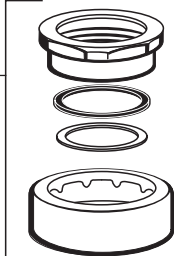
**A955056-0020A**  
VÁLVULA DE CIERRE DE 1"

**M970355-0020A**  
KIT DE REPARACIÓN DE LA VÁLVULA DE CIERRE



**M924347-0020A**  
TAPA DE LA VÁLVULA DE CIERRE

**M952269-0020A**  
KIT DEL CHAPETÓN



LÍNEA DE AYUDA DIRECTA  
Si desea obtener información o tiene preguntas, llame sin cargo al (844) CRT-TEAM / (844) 278-8326  
Los días de semana de 8:00 a.m. a 6:00 p.m. Hora normal del este.  
EN MÉXICO: 01-800-839-1200  
EN CANADÁ: 1-800-387-0369 (TORONTO 1-905-306-1093)  
Los días de semana de 8:00 a.m. a 7:00 p.m. Hora normal del este.

Los nombres de producto mencionados en este documento son marcas de comercio de AS America, Inc. © 2019

Para obtener más información sobre los productos American Standard Selectronic®, visite nuestro sitio web: [www.americanstandard-us.com](http://www.americanstandard-us.com) o envíenos un correo electrónico a: [CRTEAM@lixilamericas.com](mailto:CRTEAM@lixilamericas.com)