

GENERAL DESCRIPTION:

Manual Diaphragm-Type Water Closet Flush Valve for floor-mounted or wall-hung 1-1/2" top spud bowls.

PRODUCT FEATURES:

- Patent-pending DynaClean™ wiper spring technology significantly reduces maintenance and downtime.
- Self-cleaning wiper spring cleans the refill orifice with every flush; prevents valve run-on from clogging
- Prevents costly excess water usage and potential flooding
- Premium, chlorine resistant EvoLast™ diaphragm material prevents premature deterioration and failure
- Delivers consistent flushing performance and water savings over time
- Dezincification-resistant brass alloy withstands the most severe water conditions
- Non-hold open handle provides automatic shut-off
- High back pressure vacuum breaker prevents dripping
- Adjustable tailpiece for rough-in flexibility
- Can be installed left or right handed
- No external volume adjustment
- ADA complaint

MODEL NUMBER:

- ☐ **6147121.002** Flush Valve for 1-1/2" top spud bowl, 11-1/2" Supply C\L to top of bowl, 1.28 gpf/4.8 Lpf
- ☐ **6147122.002** Flush Valve for 1-1/2" top spud bowl, 27" Supply C\L to top of bowl, 1.28 gpf/4.8 Lpf

OPERATING PRESSURE:

25 psi (flowing)-80 psi (static)

FLOW REQUIREMENT:

25gpm (94.6 L/min.)

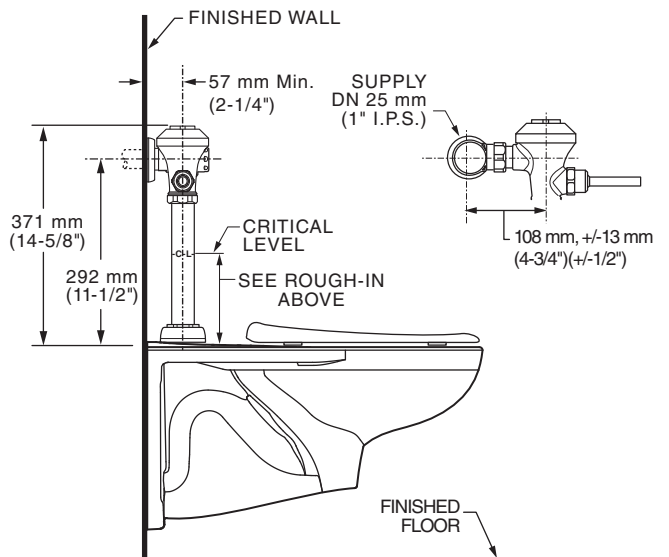
INCLUDES:

- 1" I.P.S. angle stop with back-flow prevention and vandal-resistant cap
- Sweat solder kit including cover tube and wall flange
- High back pressure vacuum breaker with down tube
- Spud coupling & flange for 1-1/2" top spud

ACCESSORIES:

- Split ring pipe supports (2-1/2" & 6" C-E)

**TYPICAL WATER CLOSET INSTALLATION:
AFWALL™ TOILET SHOWN**



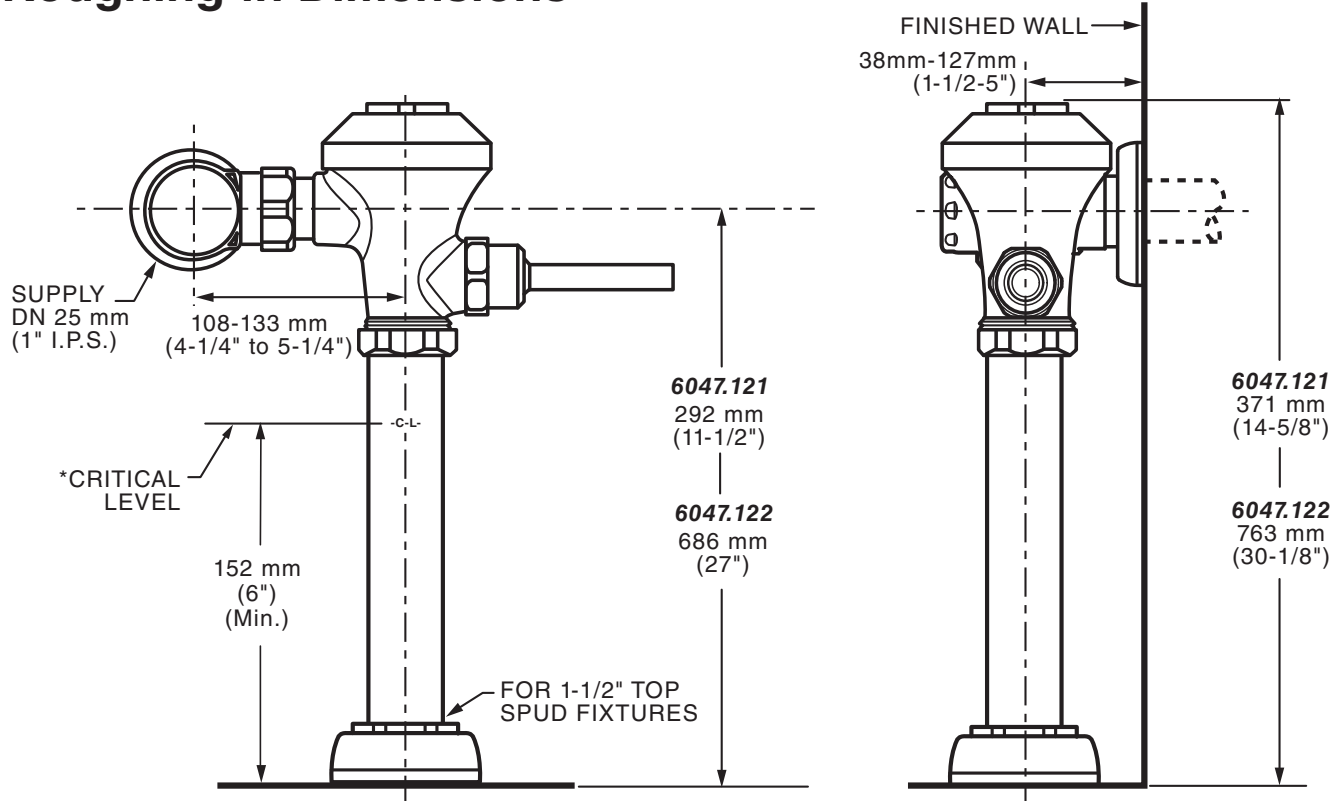
RECOMMENDED SPECIFICATION:

Manual toilet flush valve shall feature self-cleaning diaphragm valve with integral DynaClean wiper spring in bypass orifice to prevent clogging. Advanced EvoLast diaphragm provides superior chlorine-resistance. Includes dezincification-resistant cast brass valve body with chrome finish. Includes sweat solder kit with wall flange and cover tube. Angle stop with back-flow protection and vandal-resistant stop cap. High back pressure vacuum breaker included. 1.28 gpf / 4.8 Lpf Flush valve shall be American Standard Model # 6147.12 .002.

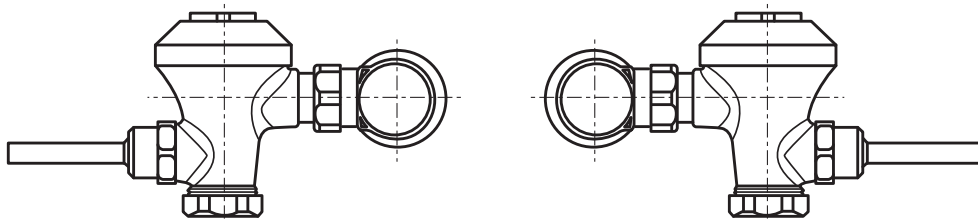
LISTINGS:

- ASSE 1037
- ANSI/ASME A112.19.2
- ADA Compliant

Roughing-in Dimensions



*Note: The Critical Line (-C-L-) on Vacuum Breaker must typically be a minimum of 6" (152 mm) above fixture. Consult Codes for details.



Left or Right Hand Installation