

**Greenbrook® Urinal**

- Highly aesthetic vitreous china urinal with large footprint
- Urinal has optimized surface contours and water flushing spreader that rinses inverted back wall for superior splash protection
- High Efficiency Urinal (HEU) operates in the range of 0.125 gpf to 0.5 gpf (0.47 Lpf to 1.9 Lpf)
- 3/4" (19 mm) inlet spud with 2" (51 mm) outlet spud
- Permanent EverClean® surface inhibits the growth of stain and odor causing bacteria
- Includes removable strainer and two wall hangers

- 6516001EC** Greenbrook top spud
- 6517001EC** Greenbrook back spud

**Nominal Dimensions:**

15" x 16-1/8" x 27-1/2"  
(380 x 411 x 698mm)

Recommended working pressure – between 20 psi at valve when flushing and 80 psi static

**Compliance Certifications - Meets or Exceeds the Following Specifications:**

- ASME A112.19.2/CSA B45.1 for Vitreous China Fixtures



**6516001EC Top Spud**



**6517001EC Back Spud**

SEE REVERSE FOR ROUGHING-IN DIMENSIONS

**To Be Specified:**

- Color:  White
- Flush Valve:
  - 0.5 gpf Flush Valve: Sensor-Operated:
    - American Standard Selectronic® #6063051.002 DC Power (Top Spud)
    - American Standard Selectronic® #606B305.007 AC Power (Back Spud)
  - 0.5 gpf Flush Valve: Manual-Operated:
    - American Standard #6045051.002
  - 0.125 gpf Flush Valve: Sensor-Operated:
    - American Standard Selectronic® #6063013.002 DC Power (Top Spud)
    - American Standard Selectronic® #606B301.007 AC Power (Back Spud)
  - 0.125 gpf Flush Valve: Manual-Operated:
    - American Standard #6045013.002



MEETS THE AMERICANS WITH DISABILITIES ACT GUIDELINES AND ANSI A117.1 ACCESSIBLE AND USABLE BUILDINGS AND FACILITIES - CHECK LOCAL CODES.

• When installed so top of rim is 432mm (17") MAXIMUM from finished floor.



EVERCLEAN®



WHEN USED WITH 0.125 gpf urinal flush valve

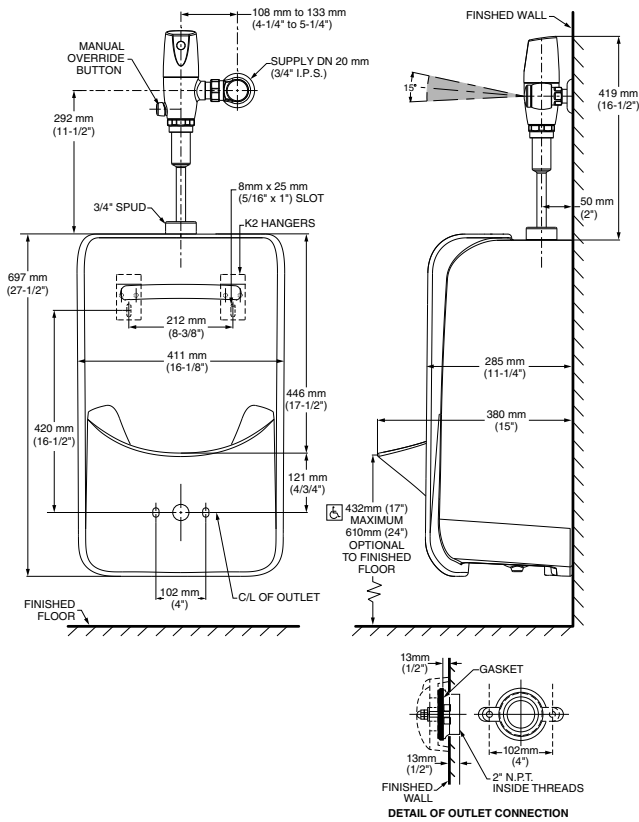


WHEN USED WITH 0.125 gpf or 0.5 gpf urinal flush valves

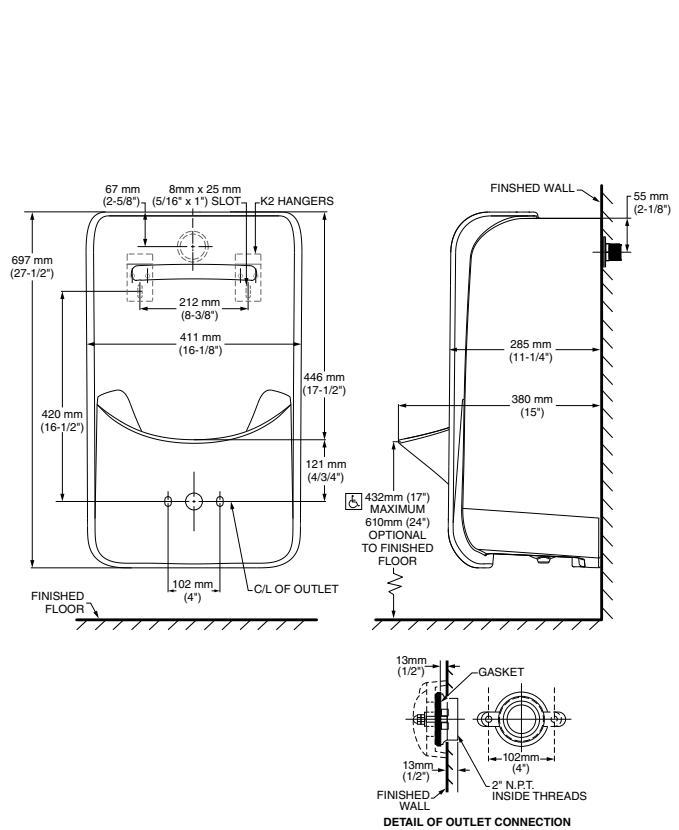


ADA COMPLIANT

6516001EC TOP SPUD



6517001EC BACK SPUD

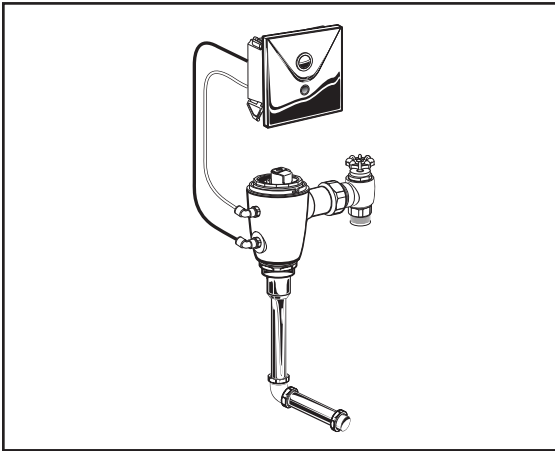


**MEETS THE AMERICANS WITH DISABILITIES ACT GUIDELINES AND ANSI A117.1 ACCESSIBLE AND USABLE BUILDINGS AND FACILITIES - CHECK LOCAL CODES.**

● When installed so top of rim is 432mm (17") MAXIMUM from finished floor.

**NOTES:**  
 FLUSH VALVE NOT INCLUDED AND MUST BE ORDERED SEPARATELY.  
 PROVIDE SUITABLE REINFORCEMENT FOR ALL WALL SUPPORTS.

**IMPORTANT:** Dimensions of fixtures are nominal and may vary within the range of tolerances established by ANSI Standard A112.19.2. These measurements are subject to change or cancellation. No responsibility is assumed for use of superseded or voided pages.



**GENERAL DESCRIPTION:**

Concealed, Sensor Operated Selectronic Flush Valve (Rear Access) for 3/4" back spud urinal.

**PRODUCT FEATURES:**

- **Pressure Compensation** feature ensures accurate flush volume regardless of inlet water pressure
- **Self-Cleaning Piston** with integral wiper spring significantly reduces clogging and maintenance
- **Selectronic Proximity System** with universal sensor provides hygienic, "hands free" operation
- **State-of-the-Art Electronics** prevent ghost flushing
- **Dezincification Resistant** brass alloy
- **Fully Mechanical Manual Override Button** can flush the valve without power
- **Fail-Safe:** Valve automatically closes upon loss of power or water pressure and does not need to be reset
- **Adjustable Sanitary Flush** cleans the fixture & maintains the trap seal.
- **Stadium Feature:** Valve automatically switches to water savings mode during periods of heavy usage
- **Chemical Resistant EPDM** Seals for extended life
- **Adjustable tailpiece for rough-in flexibility**
- **Can be installed left or right handed**
- **All exposed parts are chrome-plated**

**INCLUDES:**

- 3/4" I.P.S. angle stop with back-flow protection and hand wheel
- 3/4" Sweat solder adapter
- 3/4" Vacuum breaker with spud coupling and flange

**BASE MODEL: (Does Not include Power Supply)**



- 606B.301** Base Model, 0.125 gpf/0.5 Lpf  
**REAR ACCESS**  
Fully mechanical manual override  
Vandal-resistant, chrome-plated metal wall plate



- 606B.305** Base Model, 0.5 gpf/1.9 Lpf  
**SAME AS ABOVE**

- 606B.310** Base Model, 1.0 gpf/3.8 Lpf  
**SAME AS ABOVE**

**POWER KITS: (Must be Purchased Separately)**

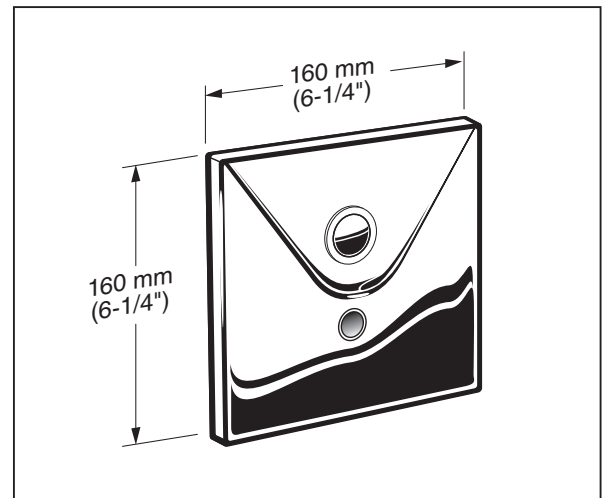
- PK00.CRP** CR-P2 lithium battery and holder
- PK00.WRK** PWRX™ 10-Year battery pack and holder
- PK00.PAC** Plug-In AC transformer and Single AC adapter
- PK00.HAC** Hard-Wired AC transformer, 10' extension cable and Single AC adapter
- PK00.MAC** Multi-AC adapter and 10" extension cable

**OPERATING PRESSURE:**

20 psi (flowing) - 80 psi (static)

**FLOW REQUIREMENT:**

10 gpm/37.9 L/min



ADA COMPLIANT

**SUGGESTED SPECIFICATION**

Electronic, sensor activated flush valve for 3/4" back spud urinal shall feature self-cleaning piston valve with integral wiper spring in refill orifice to prevent clogging. Shall feature a fully mechanical manual override that can flush the valve without power. Shall also feature a dezincification-resistant brass valve body and chrome-plated metal wall plate that includes the sensor and manual override button. Includes angle stop with back-flow protection and hand wheel. Sweat solder adapter and vacuum breaker also included. Must be installed and maintained from the rear. Flush Valve shall be American Standard Model # 606B.3\_\_\_.007.

**LISTINGS:**

- ASSE 1037
- ANSI/ASME A112.19.2
- ADA Compliant

**CAUTION:** Use only American Standard supplied transformers and cable sets. Using non-AS supplied cables, or cutting, splicing or modifying any components will void the warranty.

**Roughing-in Dimensions**

\*Note: The Critical Line (-C-L-) on Vacuum Breaker must typically be 6" (152 mm) min. above fixture. Consult Codes for details.

