

WASHBROOK® FloWise® UNIVERSAL URINAL WITH EVERCLEAN®

- Vitreous china
- **Permanent EverClean® surface inhibits the growth of stain and odor causing bacteria, mold and mildew on the surface**
- Ultra High Efficiency, Low Consumption. Operates in the range of 0.125gpf to 1.0gpf (0.5 Lpf to 3.8 Lpf)
- Flushing rim
- Elongated 14" rim from finished wall
- Washout flush action
- Extended sides for privacy
- 3/4" inlet spud
- Outlet connection threaded 2" inside (NPTF)
- 2 wall hangers
- Fixture only
- Strainer included
- Meets ASME flush requirements at 0.125 to 1.0 gpf

6590.001EC Universal Top spud with EverClean

Nominal Dimensions:

360 x 480 x 664mm
 (14-1/8" x 18-7/8" x 26-1/8")

Recommended working pressure – between 20 psi at valve when flushing and 80 psi static

Compliance Certifications -

Meets or Exceeds the Following Specifications:

- ASME A112.19.2-2008/CSA B45.1-08 for Vitreous China Fixtures



SEE REVERSE FOR ROUGHING-IN DIMENSIONS

To Be Specified:

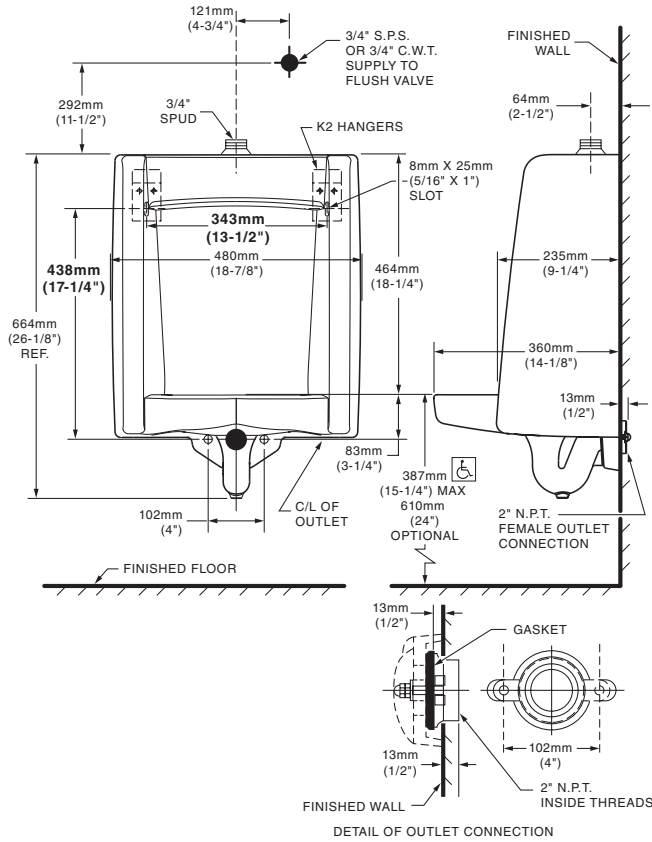
- Color: White
- Flush Valve:
 - 1.0 gpf Flush Valve: Sensor-Operated:
 - American Standard Selectronic® #6063.101.002 DC Power (Top Spud)
 - 1.0 gpf Flush Valve: Manual-Operated:
 - American Standard # 6045.101.002
 - 0.5 gpf Flush Valve: Sensor-Operated:
 - American Standard Selectronic® #6063.051.002 DC Power (Top Spud)
 - 0.5 gpf Flush Valve: Manual-Operated:
 - American Standard #6045.051.002
 - 0.125 gpf Flush Valve: Sensor-Operated:
 - American Standard Selectronic® #6063.013.002 DC Power (Top Spud)
 - 0.125 gpf Flush Valve: Manual-Operated:
 - American Standard #6045.013.002




When used with 0.125 gpf or 0.5 gpf urinal flush valves

EVERCLEAN®
 Surface

6590.001EC TOP SPUD

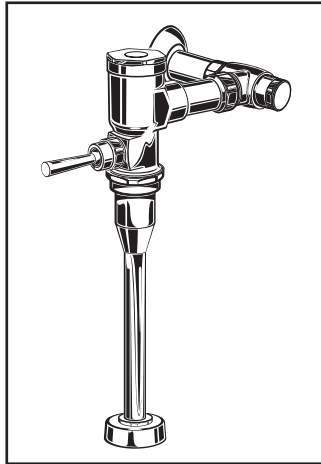


 **MEETS THE AMERICANS WITH DISABILITIES ACT GUIDELINES AND ANSI A117.1 ACCESSIBLE AND USABLE BUILDINGS AND FACILITIES - CHECK LOCAL CODES.**

- When installed so top of rim is 387mm (15-1/4") from finished floor.

NOTES:
 FLUSH VALVE NOT INCLUDED AND MUST BE ORDERED SEPARATELY.
 PROVIDE SUITABLE REINFORCEMENT FOR ALL WALL SUPPORTS.

IMPORTANT: Dimensions of fixtures are nominal and may vary within the range of tolerances established by ANSI Standard A112.19.2. These measurements are subject to change or cancellation. No responsibility is assumed for use of superseded or voided pages.



GENERAL DESCRIPTION:

Manual Piston-Type Urinal Flush Valve for 3/4" top spud urinals.

INCLUDES:

- 3/4" I.P.S. angle stop with back-flow prevention and vandal-resistant cap
- Sweat solder kit including cover tube and wall flange
- High back pressure vacuum breaker with down tube
- Spud coupling & flange for 3/4" top spud

PRODUCT FEATURES:

- Self-cleaning brass piston with integral wiper spring prevents clogging and reduces maintenance
- Piston operation delivers superior flush accuracy and repeatability
- Piston valve remains closed and does not need to be reset after loss of water pressure
- Non-hold open handle
- Positive seal ensures leak-free performance
- No external volume adjustment
- Durable chrome-plated cast brass construction is ideal for commercial applications
- Chloramine-resistant EPDM seals
- Adjustable tailpiece for rough-in flexibility
- Can be installed left or right handed
- ADA complaint

MODEL NUMBER:

- ☐ **6045.013.002** Flush Valve for 3/4" top spud urinal, 0.125 gpf

OPERATING PRESSURE:

Overall Range: 20-125 psi**
Recommended: 20 psi (flowing)-80 psi (static)

** Water pressure over 80 psi is not recommended for most plumbing fixtures.

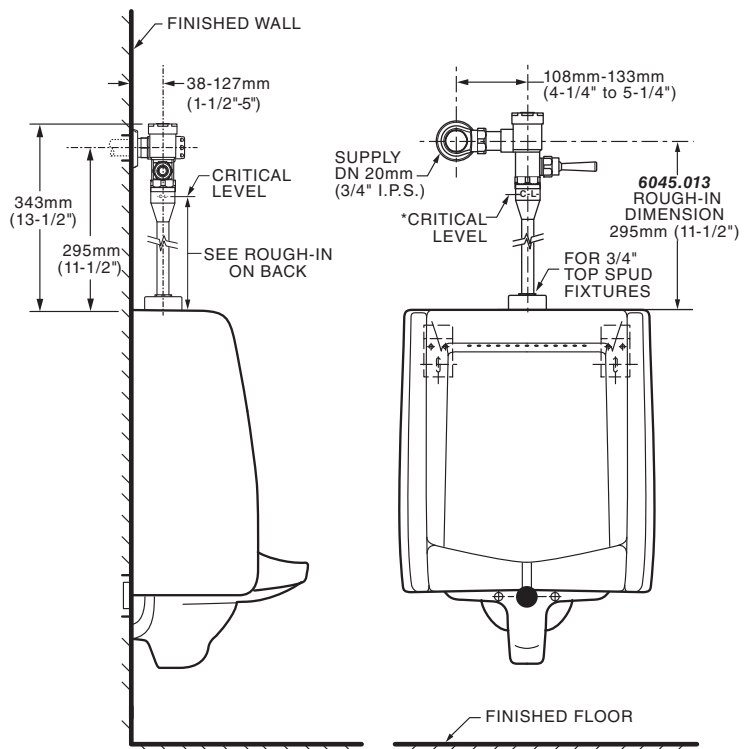
FLOW REQUIREMENT:

8gpm (30.3 L/min.)

ACCESSORIES:

- Cast wall flanges (3/4")

**TYPICAL URINAL INSTALLATION:
WASHBROOK URINAL SHOWN**



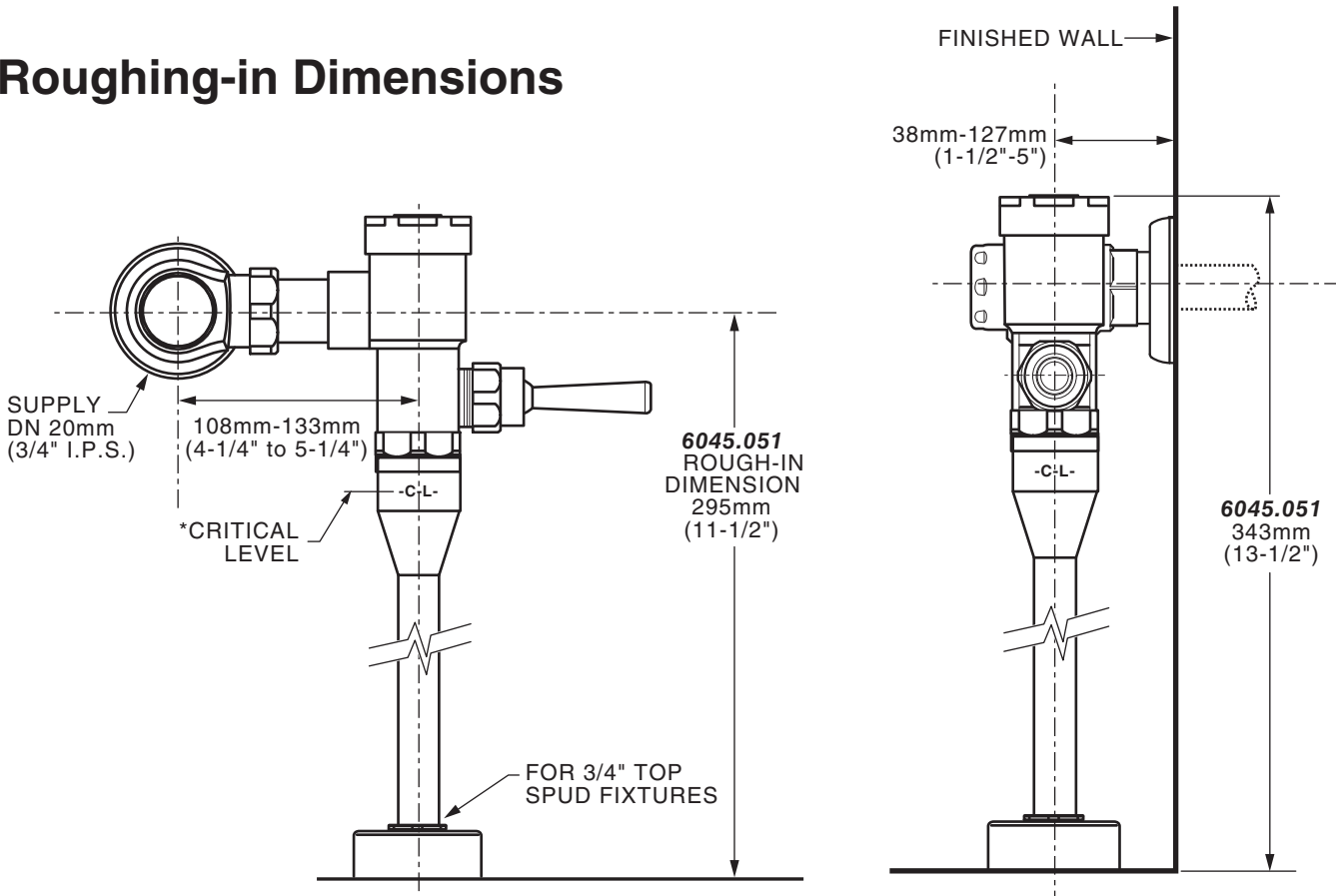
RECOMMENDED SPECIFICATION:

Manual urinal flush valve shall feature self-cleaning brass piston valve with integral wiper spring in bypass orifice to prevent clogging. Valve remains closed and does not need to be reset after loss of water pressure. Includes cast brass valve body and cover with chrome finish and vandal resistant stop cap. Includes sweat solder kit with wall flange and cover tube. Angle stop with back-flow protection and vacuum breaker included. 0.125 gpf / 0.5Lpf Flush valve shall be American Standard Model # 6045.013.002.

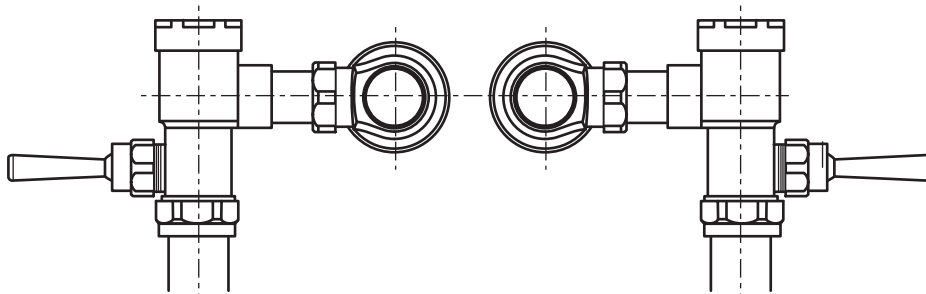
LISTINGS:

- ASSE 1037
- ANSI/ASME A112.19.2
- ADA Compliant

Roughing-in Dimensions



*Note: The Critical Line (-C-L) on Vacuum Breaker must typically be a minimum of 6" (152mm) above fixture. Consult Codes for details.



Left or Right Hand Installation

 MEETS THE AMERICANS WITH DISABILITIES ACT GUIDELINES AND ANSI A117.1 REQUIREMENTS FOR ACCESSIBLE AND USABLE BUILDING FACILITIES-CHECK LOCAL CODES