

# INSTALLATION INSTRUCTIONS



## WASHBROOK URINAL

### 6590 & 6515 SERIES

Thank you for selecting American Standard – the benchmark of fine quality for over 100 years. To ensure this product is installed properly, please read these instructions carefully before you begin. (Certain installations may require professional help.) Also be sure your installation conforms to local codes.

#### BEFORE YOU BEGIN

**⚠ CAUTION: PRODUCT IS FRAGILE. TO AVOID BREAKAGE AND POSSIBLE INJURY HANDLE WITH CARE!**

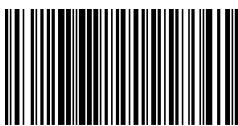
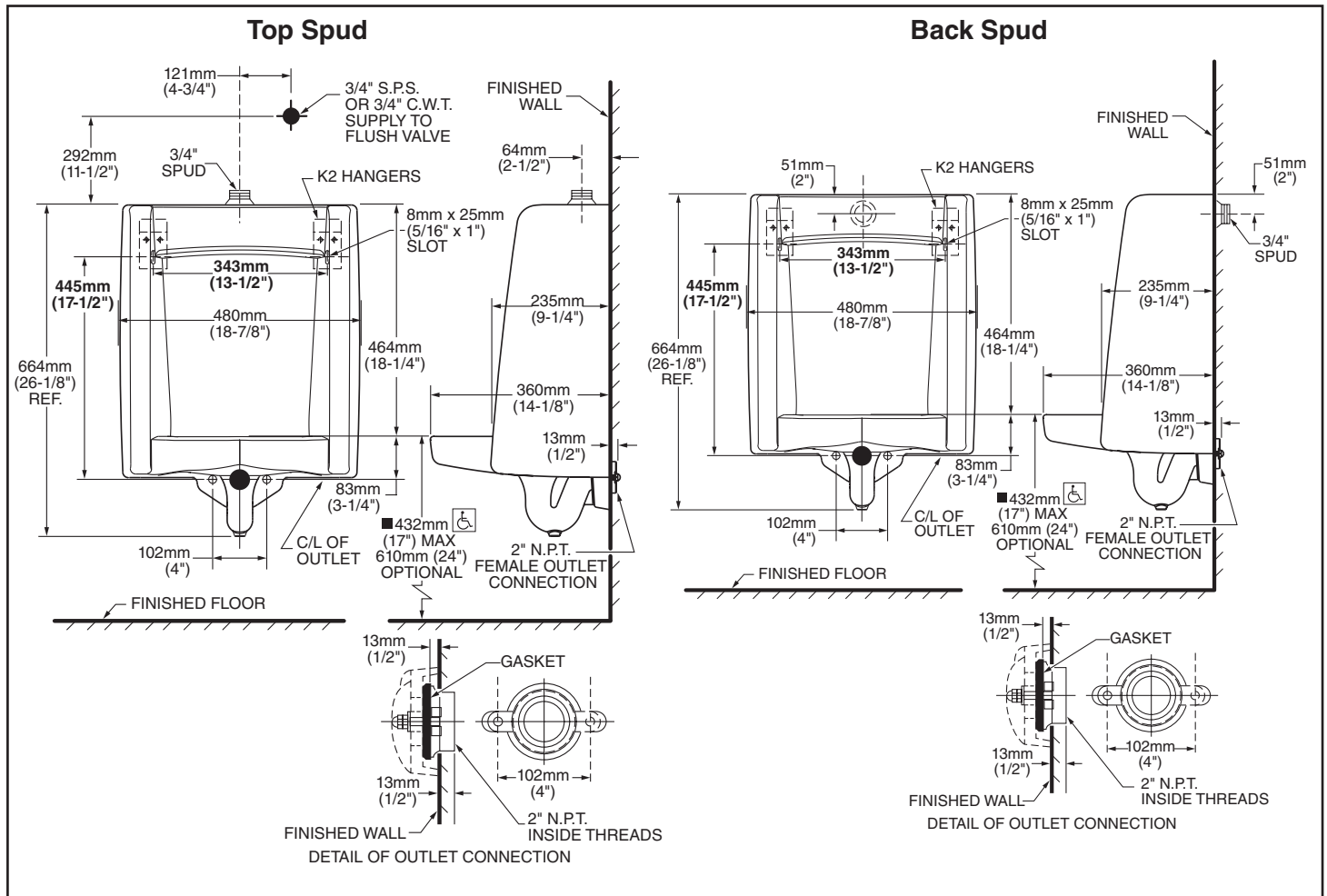
NOTES:

- Pictures may not exactly define contour of china and components.
- Observe all local plumbing and building codes.
- Refer to local codes and manufacturer's instructions for flush valve requirements.
- Carefully inspect the new urinal for damage.
- Fixture dimensions are nominal and conform to tolerances by ASME Standard A112.19.2.
- Site preparation may require additional tools and hardware.

#### RECOMMENDED TOOLS AND MATERIALS

Safety Glasses    Tape Measure    Adjustable Wrench    Pencil    Hole Cutting Equipment  
 Thread Sealant    1/4" Ratchet    Blade Screwdriver    Levels

SAVE FOR FUTURE USE



Product names listed herein are trademarks of AS America Inc.  
 © AS America Inc. 2018

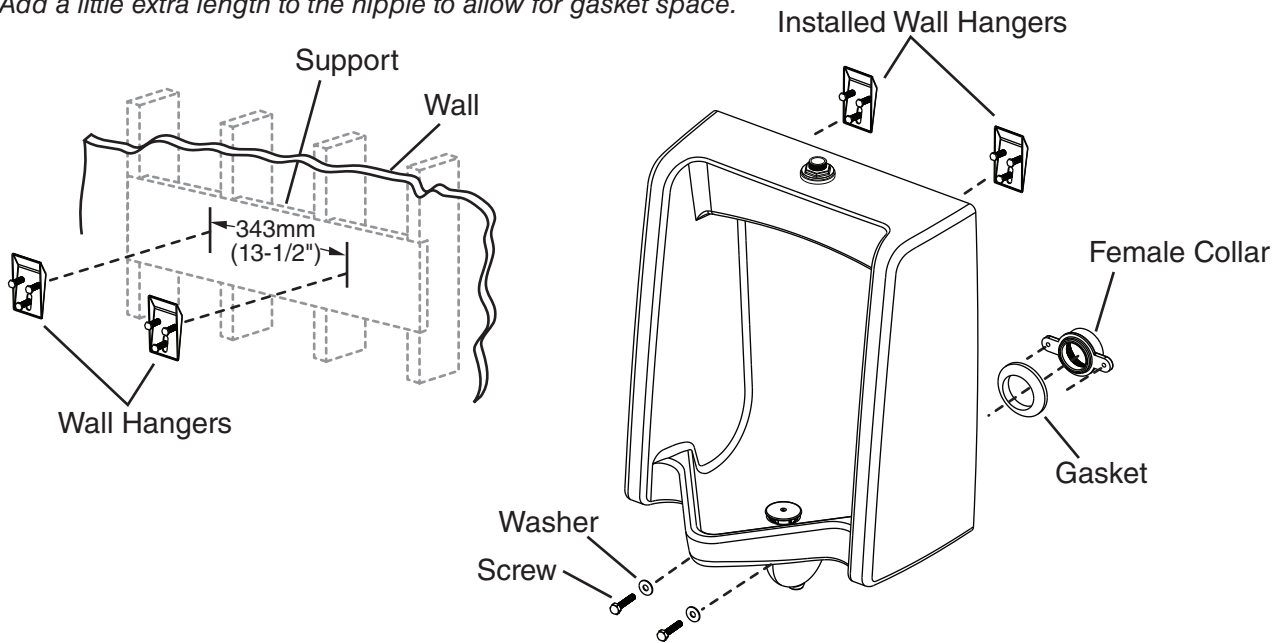
7301778-100 Rev. B 8/18

7301778-100B

## 1 PREPARATION

- Turn the water supply OFF.
- Install or relocate the supply tubing and waste pipe as necessary to conform to the roughing in dimensions.
- Install the shut off valve.
- Install adequate support framing for the wall hangers as needed.
- Determine the position of the waste pipe nipple. When establishing the nipple length, take into account the length of the urinal outlet spud and the distance the female collar will thread onto the waste pipe nipple.

NOTE: Add a little extra length to the nipple to allow for gasket space.



## 2 INSTALL THE URINAL

**⚠ CAUTION: RISK OF PERSONAL INJURY OR PRODUCT DAMAGE. HANDLE WITH CARE. VITREOUS CHINA CAN BREAK OR CHIP IF THE PRODUCT IS HANDLED CARELESSLY.**

**⚠ CAUTION: RISK OF PRODUCT DAMAGE. DO NOT OVERTIGHTEN THE BOLTS.**

- Install the wall hangers according to the roughing in illustration.
- Apply thread sealant tape to the pipe threads and install the female collar to the waste pipe.
- Place the gasket onto the female collar with the beveled surface facing away from the collar.
- Carefully position the urinal on the wall hangers.
- Secure the urinal to the female collar using the screws and washers provided.

## 3 COMPLETE THE INSTALLATION

- Install the flush valve according to the manufacturer's instructions.
- Connect the water supply and complete the waste pipe connections.
- Turn on the water supply.
- Flush and check the entire installation for leaks.

## CARE & CLEANING

Wash with mild soapy water and rinse thoroughly. Dry with a soft cloth. Avoid detergents, disinfectants or cleaning products in aerosol cans as they may damage fittings.

### In the United States:

American Standard Brands  
1 Centennial Ave.  
Piscataway, New Jersey 08854  
Attention: Director of Customer Care  
For residents of the United States, warranty information may also be obtained by calling the following toll free number: (800) 442-1902  
[www.americanstandard.com](http://www.americanstandard.com)

### In Canada:

AS Canada, ULC  
5900 Avebury Rd.  
Mississauga, Ontario  
Canada L5R 3M3  
Toll Free: (800) 387-0369  
[www.americanstandard.ca](http://www.americanstandard.ca)

### In Mexico:

American Standard B&K Mexico  
S. de R.L. de C.V.  
Via Morelos #330  
Col. Santa Clara  
Ecatepec 55540 Edo. Mexico  
Toll Free: 01-800-839-1200  
[www.americanstandard.com.mx](http://www.americanstandard.com.mx)

# INSTRUCCIONES DE INSTALACIÓN



## MINGITORIO WASHBROOK

### SERIE 6590 & 6515

Gracias por elegir American Standard - el parámetro de primera calidad por más de 100 años. Para asegurarse de que el producto esté instalado correctamente, por favor lea estas instrucciones cuidadosamente antes de comenzar. (Ciertas instalaciones pueden requerir ayuda profesional.) Asegúrese de que su instalación cumpla con los códigos locales.

#### ANTES DE COMENZAR

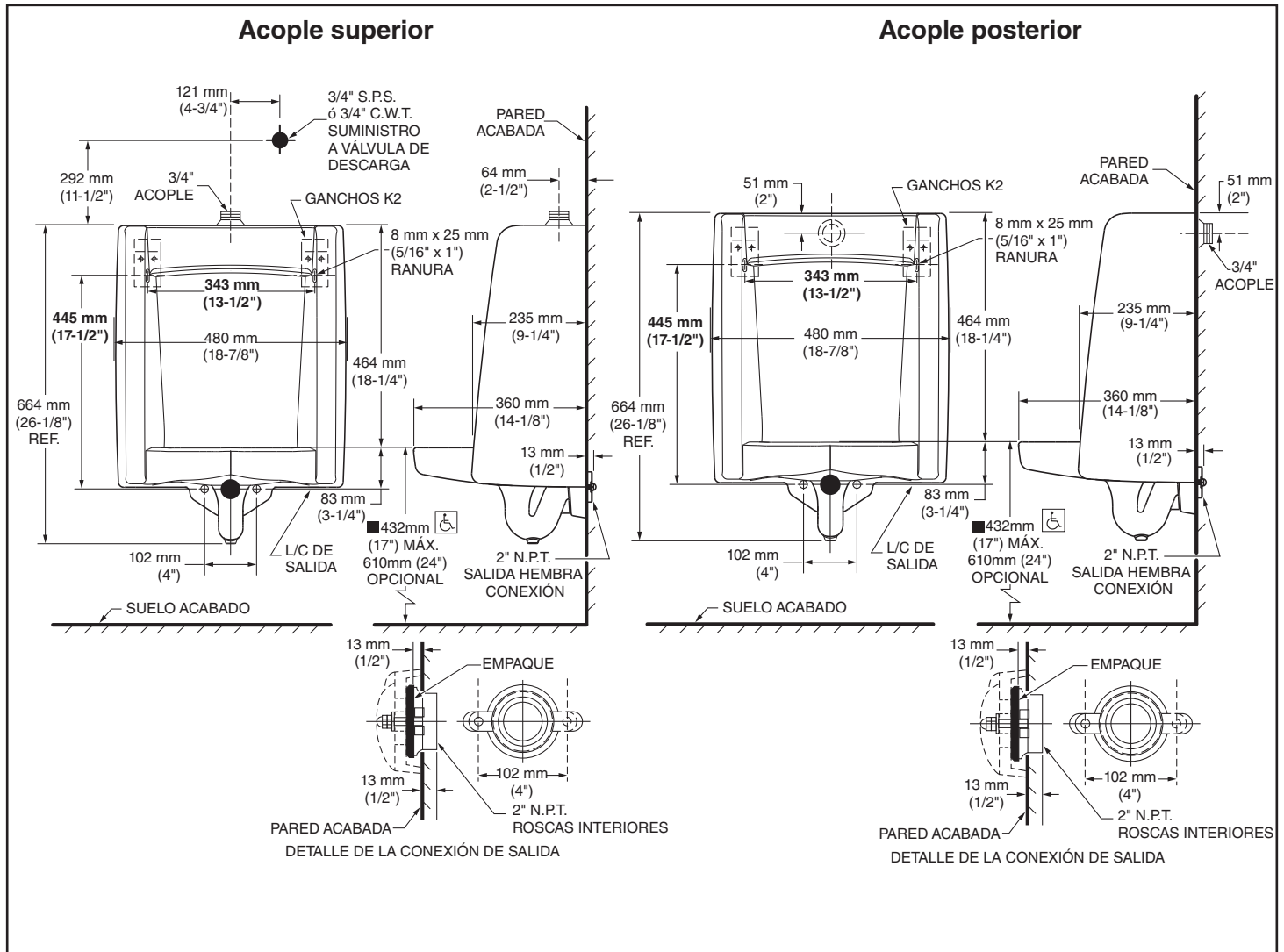
**⚠ PRECAUCIÓN: EL PRODUCTO ES FRÁGIL. ¡MANIPÚLELO CON CUIDADO PARA NO ROMPERLO Y EVITAR POSIBLES LESIONES!**

NOTAS:

- Es posible que las imágenes no definan con exactitud el contorno de la cerámica y los componentes.
- Cumpla todas las normas locales de plomería y construcción.
- Consulte los códigos locales y las instrucciones del fabricante para conocer los requisitos de la válvula de descarga.
- Inspeccione con cuidado el nuevo mingitorio para ver si tiene daños.
- Las dimensiones del accesorio son nominales y cumplen con las tolerancias establecidas por la norma ASME A112.19.2.
- La preparación del sitio puede requerir herramientas y accesorios adicionales.

#### HERRAMIENTAS Y MATERIALES RECOMENDADOS

Lentes de seguridad	Cinta métrica	Llave ajustable	Lápiz	Equipo para cortar orificios
Sellador para roscas	Trinquete de 1/4"	Destornillador plano	Niveles	

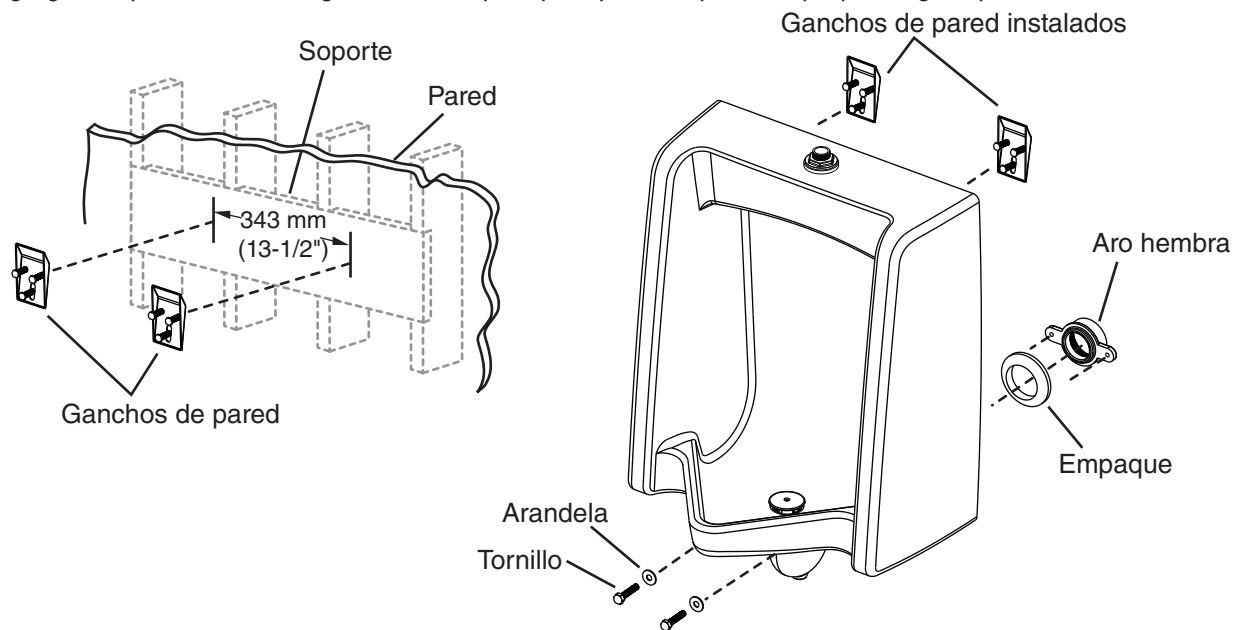


GUARDE ESTAS INSTRUCCIONES PARA UN USO FUTURO

## 1 PREPARACIÓN

- Cierre el suministro de agua.
- Instale o reubique la tubería de suministro y el tubo de desagüe conforme sea necesario para cumplir con las dimensiones calculadas.
- Instale la válvula de cierre.
- Instale el marco de soporte adecuado para los ganchos de pared según sea necesario.
- Determine la posición de la boquilla del tubo de desagüe. Cuando establezca la longitud de la boquilla, tome en cuenta la longitud del acople de la salida del mingitorio y la distancia en que se enroscará el aro hembra sobre la boquilla del tubo de desagüe.

NOTA: Agregue un poco más de longitud en la boquilla para permitir que el empaque tenga espacio.



## 2 INSTALE EL MINGITORIO

**▲ PRECAUCIÓN: RIESGO DE LESIÓN PERSONAL O DAÑO DEL PRODUCTO. MANEJE CON CUIDADO. LA PORCELANA VÍTREA SE PUEDE ROMPER O DESPOSTILLAR SI EL PRODUCTO SE MANEJA SIN CUIDADO.**

**▲ PRECAUCIÓN: RIESGO DE DAÑO DEL PRODUCTO. NO APRIETE DE MÁS LOS PERNOS.**

- Instale los ganchos de pared de acuerdo con los cálculos de la ilustración.
- Aplique cinta selladora para roscas en las roscas de los tubos e instale el aro hembra en el tubo de desagüe.
- Coloque el empaque en el aro hembra con la superficie biselada al contrario del aro.
- Coloque con cuidado el mingitorio en los ganchos de pared.
- Asegure el mingitorio en el aro hembra con los tornillos y las arandelas provistos.

## 3 COMPLETE LA INSTALACIÓN

- Instale la válvula de descarga de acuerdo con las instrucciones del fabricante.
- Conecte el suministro de agua y complete las conexiones del tubo de desagüe.
- Abra el suministro de agua.
- Descargue y revise toda la instalación para ver si tiene fugas.

## CUIDADO Y LIMPIEZA

Lave con agua y jabón suave y enjuague bien. Seque con un paño suave. Evite los detergentes, desinfectantes y productos de limpieza en latas de aerosol porque pueden dañar los accesorios.

### En los Estados Unidos:

American Standard Brands,  
1 Centennial Ave.  
Piscataway, New Jersey 08854  
Atención: Director de servicio al cliente  
Para los residentes en Estados Unidos,  
la información de la garantía  
puede obtenerse también llamando al siguiente  
número sin cargo: (800) 442-1902  
www.americanstandard.com

### En Canadá:

AS Canada, ULC  
5900 Avebury Rd.  
Mississauga, Ontario  
Canada L5R 3M3  
Número sin cargo: (800) 387-0369  
www.americanstandard.ca

### En México:

American Standard B&K México,  
S. de R.L. de C.V.  
Vía Morelos #330  
Col. Santa Clara  
Ecatepec 55540 Edo. México  
Número sin cargo: 01-800-839-1200  
www.americanstandard.com.mx

# INSTRUCTIONS D'INSTALLATION

## URINOIR WASHBROOK

### SÉRIES 6590 & 6515

American  
Standard

Nous vous remercions d'avoir choisi American Standard - synonyme de qualité supérieure depuis plus de 100 ans. Pour être sûr que ce produit soit bien installé, veuillez lire attentivement ces instructions avant de commencer. (Certaines installations peuvent requérir une aide professionnelle.) Assurez-vous également que votre installation soit conforme aux codes locaux.

#### AVANT DE COMMENCER...

**⚠ AVERTISSEMENT : CE PRODUIT EST FRAGILE. POUR ÉVITER LES BRIS ET DES BLESSURES, MANIPULER AVEC SOIN !**

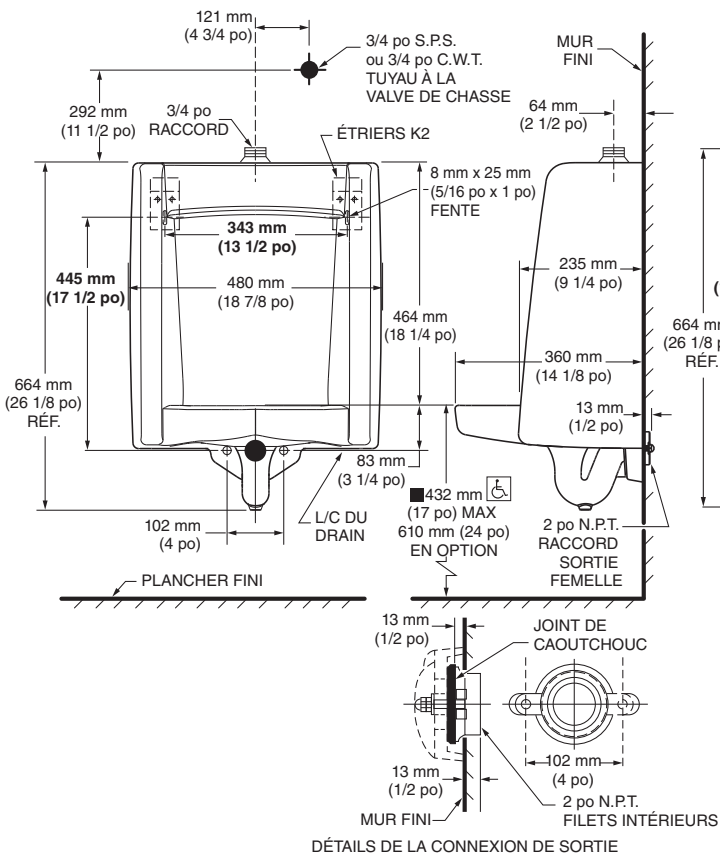
NOTES :

- Les dessins peuvent ne pas correspondre exactement aux contours de l'appareil ou des composants.
- Respecter tous les codes locaux de plomberie et du bâtiment.
- Se reporter aux codes locaux et aux instructions du fabricant pour les exigences relatives à la valve de chasse.
- Inspecter avec soin le nouvel urinoir afin de déceler tout dommage.
- Les dimensions du robinet sont nominales et sont conformes aux seuils de tolérance établis d'après les normes ASME A112.19.2.
- La préparation du site peut nécessiter des outils et de la quincaillerie supplémentaires.

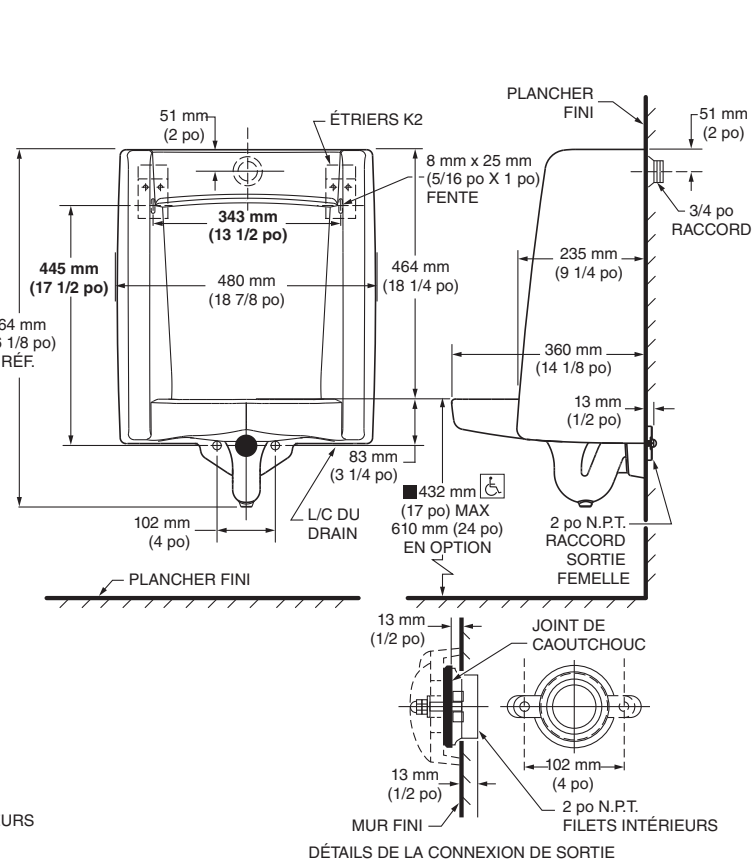
#### OUTILS ET MATÉRIAUX RECOMMANDÉS

Lunettes de sécurité   Ruban à mesurer   Clé universelle   Crayon   Équipement pour la découpe de trous  
Scellant pour filet   Cliquet 1/4 po   Tournevis à lame   Niveaux

#### Alimentation Par Le Haut



#### Alimentation Par L'arrière

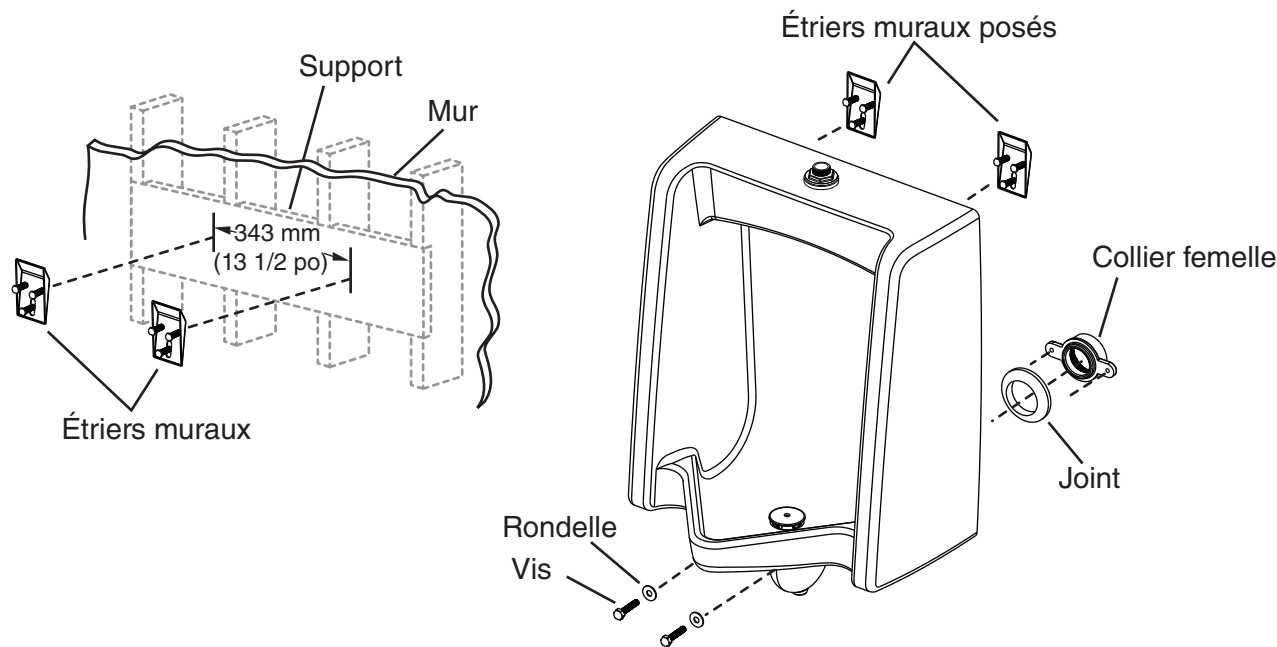


CONSERVER POUR USAGE ULTÉRIEUR

## 1 PRÉPARATION

- Couper l'alimentation en eau.
- Poser ou relocaliser la conduite d'alimentation et le tuyau de drain au besoin afin de se conformer aux dimensions de l'installation brute.
- Poser la vanne d'arrêt.
- Poser un cadre de soutien adéquat pour les étriers muraux le cas échéant.
- Déterminer la position du mamelon du tuyau de drain. Au moment de déterminer la longueur du mamelon, prendre en considération la longueur de la tête de la sortie de l'urinoir et la distance du filet du collier femelle sur le mamelon du tuyau de drain.

REMARQUE : Ajouter une longueur supplémentaire au mamelon pour laisser l'espace pour le joint.



## 2 INSTALLER L'URINOIR

**⚠ AVERTISSEMENT : RISQUE DE BLESSURES CORPORELLES OU DES DOMMAGES AU PRODUIT. MANIPULER AVEC SOIN. LA PORCELAINÉ VITRIFIÉE PEUT CASSER OU S'ÉCAILLER SI LE PRODUIT N'EST PAS MANIPULÉ AVEC SOIN.**

**⚠ AVERTISSEMENT : RISQUE DE DOMMAGES AU PRODUIT. ÉVITER DE TROP SERRER LES BOULONS.**

- Poser les étriers muraux selon la disposition des tuyaux dans l'illustration.
- Appliquer du ruban scellant sur les filets du conduit et poser le collier femelle sur le tuyau de drain.
- Placer le joint sur le collier femelle avec la surface biseautée faisant face à l'opposé du collier.
- Placer avec soin l'urinoir dans les étriers muraux.
- Fixer l'urinoir au collier femelle en utilisant les vis et les rondelles fournies.

## 3 TERMINER L'INSTALLATION

- Poser la valve de chasse selon les instructions du fabricant.
- Raccorder l'alimentation en eau et finaliser le raccordement du tuyau de drain.
- Ouvrir l'alimentation en eau.
- Rincer et vérifier l'ensemble de l'installation afin de déceler toute fuite.

## ENTRETIEN ET NETTOYAGE

Laver avec de l'eau savonneuse et rincer à fond. Essuyer avec un chiffon doux. Éviter les détergents, les désinfectants ou les produits de nettoyage en aérosol puisqu'ils peuvent endommager les raccords.

### Aux États-Unis :

Marques American Standard  
1 Centennial Ave.

Piscataway, New Jersey 08854

À l'attention de : Directeur du service à la clientèle  
Les résidents des États-Unis peuvent aussi obtenir  
de l'information sur la garantie en composant  
le numéro sans frais suivant : (800) 442-1902  
[www.americanstandard.com](http://www.americanstandard.com)

### Au Canada :

AS Canada ULC  
5900 Avebury Rd.  
Mississauga, Ontario  
Canada L5R 3M3  
Numéro sans frais : (800) 387-0369  
[www.americanstandard.ca](http://www.americanstandard.ca)

### Au Mexique :

American Standard B&K Mexico  
S. de R.L. de C.V.  
Via Morelos n° 330  
Col. Santa Clara  
Ecatepec 55540 Edo. Mexique  
Numéro sans frais : 01-800-839-1200  
[www.americanstandard.com.mx](http://www.americanstandard.com.mx)

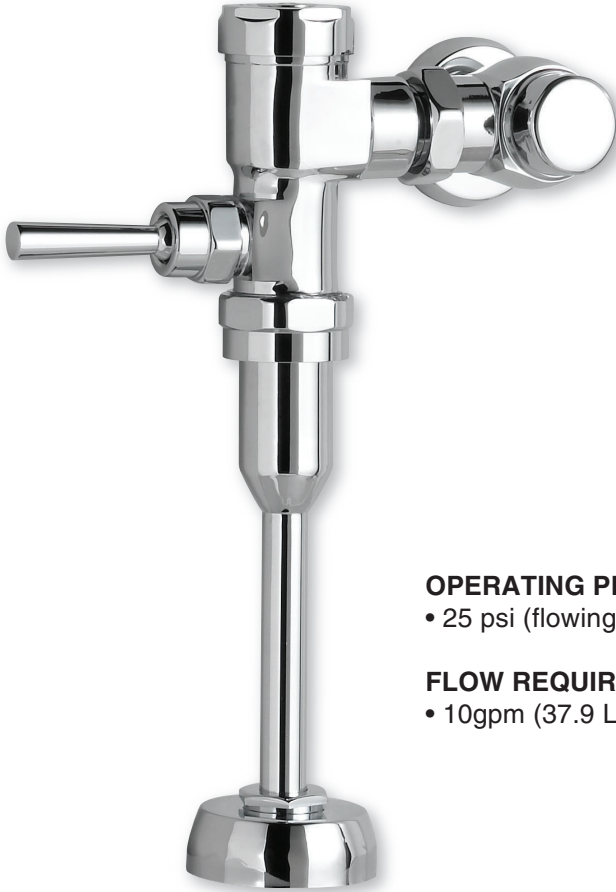


# Installation Instructions

## Ultima™ Manual Urinal Flush Valve, Piston-Type 3/4" Top Spud, 0.125 GPF

MODEL NUMBERS

**6045.013**



### OPERATING PRESSURE:

- 25 psi (flowing) - 80 psi (static)

### FLOW REQUIREMENT:

- 10gpm (37.9 L/min).

Certified to comply with:

- ASSE 1037
- ADA Compliant

© 2019 AS America, Inc.

M965020 Rev.2.1 (5/19)

*American Standard*

**NOTE TO INSTALLER: Please give this manual to the customer after installation.**

To learn more about American Standard Selectronic® Products visit our website at: [www.americanstandard-us.com](http://www.americanstandard-us.com)  
or e-mail us at: [CRTTEAM@lixilamericas.com](mailto:CRTTEAM@lixilamericas.com)

**For Parts, Service, Warranty or other Assistance,**  
**please call (844) CRT-TEAM / (844) 278-8326 (In Canada: 1-800-387-0369)**  
**(In Toronto Area only: 1-905-306-1093)**

*American Standard*  
**CRT**  
Certified Response Technician

Thank you for selecting American-Standard...the benchmark of fine quality for over 100 years. To ensure that your installation proceeds smoothly--please read these instructions carefully before you begin.

## UNPACKING

All American Standard Products Are Water Tested At Our Factory. Some Residual Water May Remain In The Valve During Shipping.

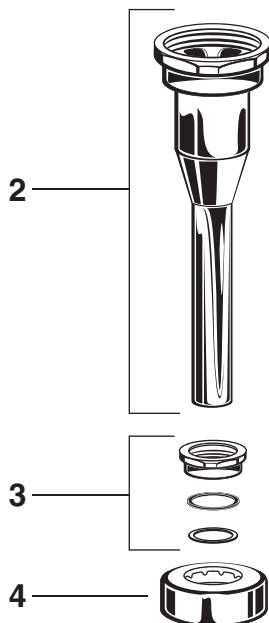
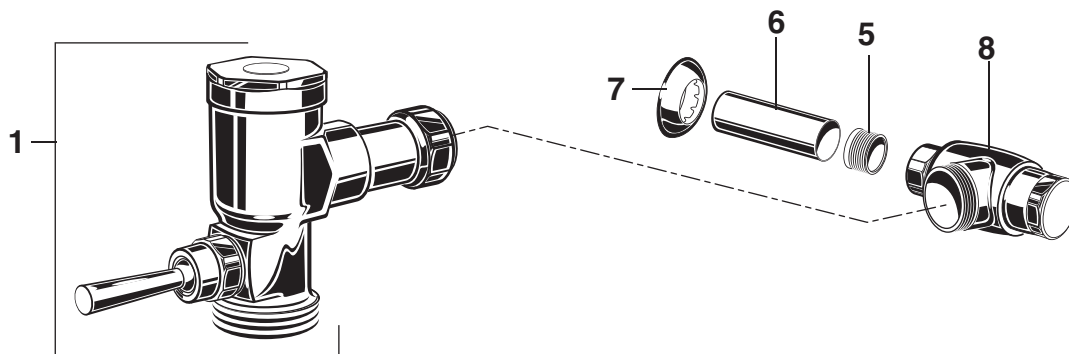
Remove the Flush Valve items from the carton. The illustration below shows all items after they have been removed from the carton. Some items may be packaged partially assembled to other items.

1. Flush Valve Assembly
2. Down Tube and Vacuum Breaker
3. Spud Coupling Nut and Washers
4. Spud Flange
5. Sweat Solder Adapter
6. Cover Tube
7. Wall Escutcheon
8. Supply Stop
9. Installation Instructions

### CARE INSTRUCTIONS:

**DO: CLEAN WITH CLEAR WATER. DRY WITH A SOFT COTTON FLANNEL CLOTH.**

**DO NOT: DO NOT CLEAN THE PRODUCT WITH SOAPS, ACID, POLISH, ABRASIVES, HARSH CLEANERS, OR A CLOTH WITH A COARSE SURFACE.**

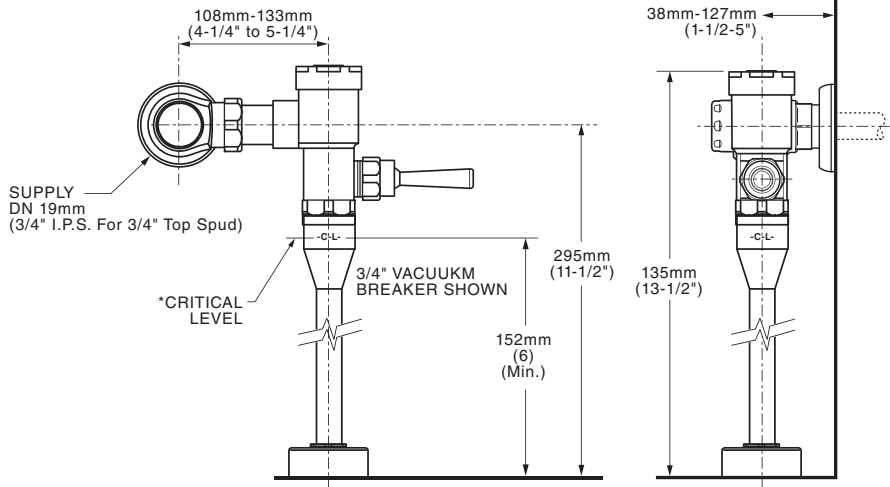


9





**Fig. 1**  
**Roughing-in Dimensions**



\*Note: The Critical Line (-C-L) on Vacuum Breaker must typically be 6" (152mm) minimum above fixture. Consult Codes for details.

**GENERAL DESCRIPTION:**  
**MANUAL FLUSH VALVE, .125 GPF**

**Exposed Flushometer for 3/4" Top Spud Fixtures**

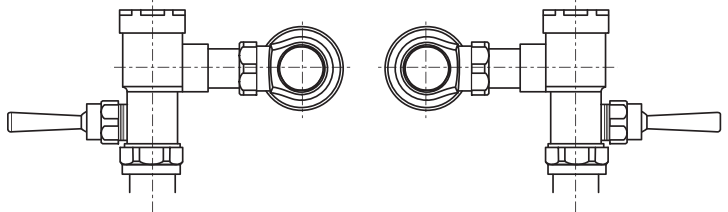
Exclusive, self cleaning piston-operated flush valve.

**OPERATING PRESSURE:**  
Overall Range: 20-125 psi \*\*  
Recommended: 20 psi (flowing)-80 psi (static)

**FLOW REQUIREMENT:**  
10gpm (37.9 L/min).

\*\*Water pressure over 80 psi is not recommended with most plumbing fixtures

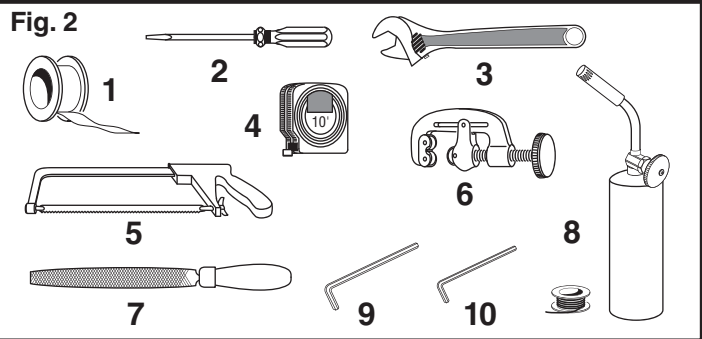
**Right or Left Hand Installation**



See (Section 8) for converting Flush Valve to Left Hand Installation.

**RECOMMENDED TOOLS; Fig. 2**

1. Teflon Tape
2. Flat Blade Screwdriver (For adjusting Supply Stop)
3. Adjustable Wrench
4. Tape Measure
5. Hacksaw
6. Tubing Cutter
7. File
8. For Sweat Connection; Solder and Torch
9. 2.5mm Hex Wrench
10. 1.5mm Hex Wrench



**PRIOR TO INSTALLATION**

**Note: Prior to installing the Selectronic™ Flush Valve the following items must be installed.**

1. Urinal
2. Drain line
3. Water supply line

**IMPORTANT:**

- All plumbing must be installed in accordance with applicable codes and regulations.
- The use of water hammer arrestors is strongly recommended for commercial applications. All piping behind the walls should be properly secured and fastened.
- Water supply lines must be sized to provide an adequate volume of water for each fixture.

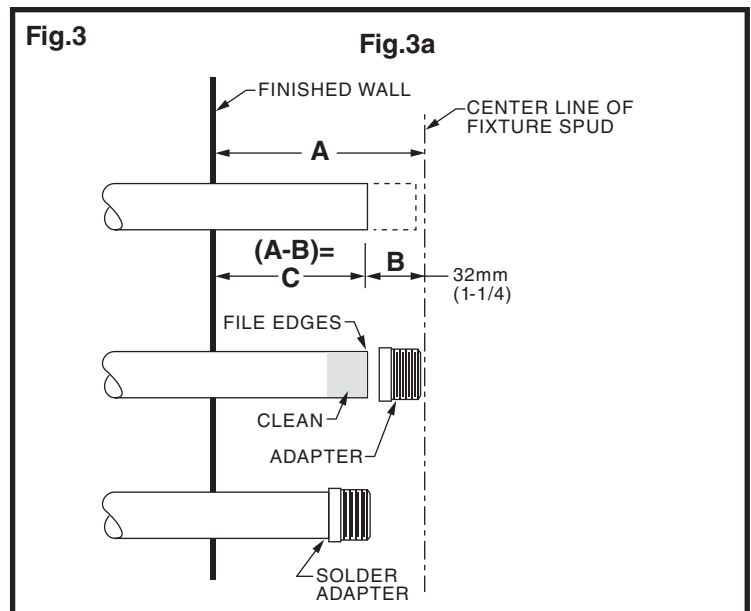
- Flush all water lines prior to operation (See Step 5). Dirt and debris can cause flush valve to run continuously.
- With the exception of Supply Stop Inlet, DO NOT use pipe sealant or plumbing grease on any valve component or coupling!
- Protect the chrome or special finish on the Flushometer. DO NOT USE toothed tools on finished surfaces to install or service these valves. Also see "Care and Cleaning" section of this manual.
- This product contains mechanical and/or electrical components that are subject to normal wear. These components should be checked on a regular basis and replaced as needed to maintain the valve's performance.

## 1 INSTALL SWEAT SOLDER ADAPTER; Fig. 3

**CAUTION** Turn water supplies off before beginning

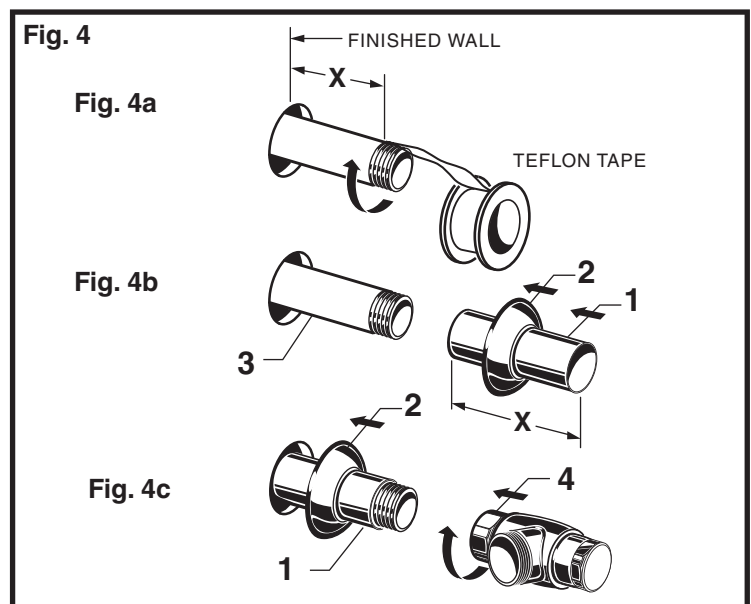
**Note:** Install Optional Sweat Solder Adapter (Supplied) for copper pipe supply line. Fig. 3.

1. Measure the distance (A) from the finished wall to the center of the inlet spud on the fixture.
2. Cut the supply pipe 1-1/4" (A-B=C) shorter than the measurement taken in Step 1. File any rough edges off the end of the supply pipe.
3. Clean the end of the supply pipe. Push the threaded Adapter on until it is seated against the internal stop. Sweat the Adapter to the pipe.



## 2 INSTALL COVER TUBE, WALL ESCUTCHEON and SUPPLY STOP; Fig. 4

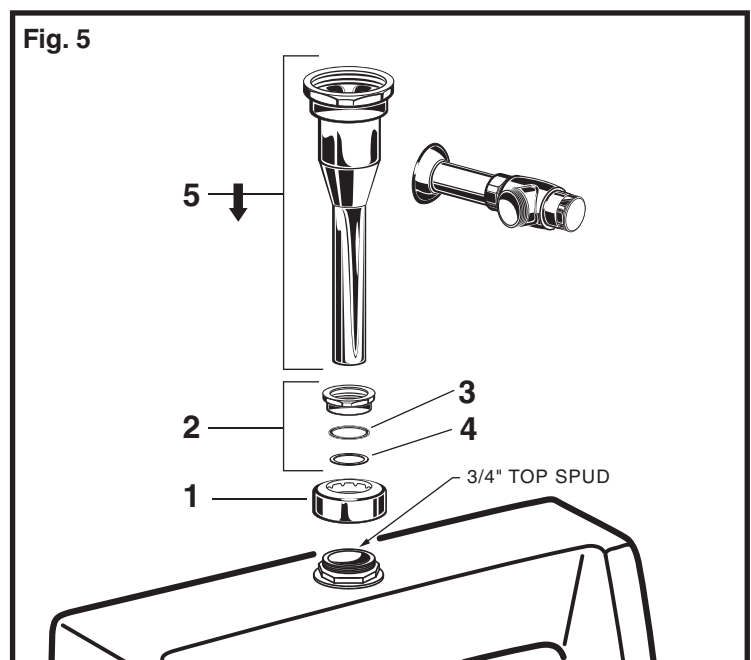
1. Measure from finished wall to first thread of Adapter or threaded supply pipe (dimension "X"). Cut COVER TUBE (1) to length (X). Apply Teflon Tape to the threaded end of the Adapter or supply pipe. Fig. 4a.
2. Push the COVER TUBE (1) into the WALL ESCUTCHEON (2). Slide both onto the SUPPLY PIPE (3). Fig. 4b.
3. Push the COVER TUBE (1) in to expose the threads of the supply pipe. Fig. 4c. With a wrench thread the SUPPLY STOP (4) onto the SUPPLY PIPE (3). Align and tighten. Fig. 4c.
4. Pull COVER TUBE (1) against SUPPLY STOP (4) and push WALL ESCUTCHEON (2) against finished wall.



## 3 INSTALL DOWN TUBE AND VACUUM BREAKER; Fig. 5

1. Place the SPUD FLANGE (1) over the spud on the Fixture.
2. Thread SPUD COUPLING NUT (2) onto Spud. Make sure SEAL WASHER (3) and FRICTION WASHER (4) are installed. Do not tighten fully.
3. Insert the DOWN TUBE (5) into the SPUD COUPLING NUT (2) and push it down.

**Note:** If cutting Down Tube (5) to size, note that Critical Line (C/L) on Vacuum Breaker must typically be 6" (152mm) minimum above fixture. Consult Code for details.



## 4 INSTALL FLUSH VALVE;

### Fig. 6a & 6b

1. As shown in **Fig. 6a**, insert the side INLET FLANGE (1) on the FLUSH VALVE (2) into the SUPPLY STOP (3). Lubricate the INLET FLANGE O-RING (4) with water if necessary. Lightly tighten COUPLING NUT (5). **Fig. 6a.** **Important: Do not use lubricants (other than water) or any type of thread sealing paste or tape.**

2. Align the FLUSH VALVE (2) (**Fig. 6b**) directly above the DOWN TUBE (7) and VACUUM BREAKER COUPLING NUT (6).

**Note: There is a  $\pm 13\text{mm}$ , ( $\pm 1/2$ ) tolerance for the 121mm (4-3/4) dimension. Fig. 6b.**

3. Pull the DOWN TUBE (7) up to meet the threaded FLUSH VALVE CONNECTION (8) and hand tighten the VACUUM BREAKER COUPLING NUT (6). Align all components of the flush valve assembly. **Fig. 6b.**

4. Lightly tighten the COUPLING NUT (5) connection first, then the VACUUM BREAKER COUPLING NUT (6) and finally the SPUD COUPLING NUT (9). Once aligned correctly, use a wrench to tighten couplings to make water tight connections. **Fig. 6b.**

Fig. 6a

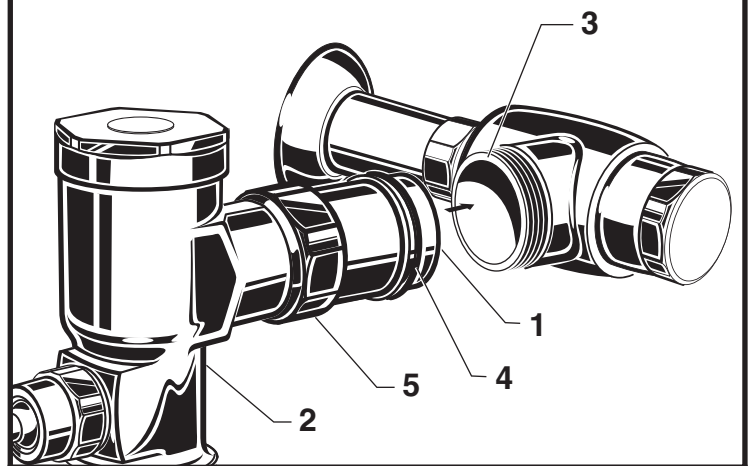
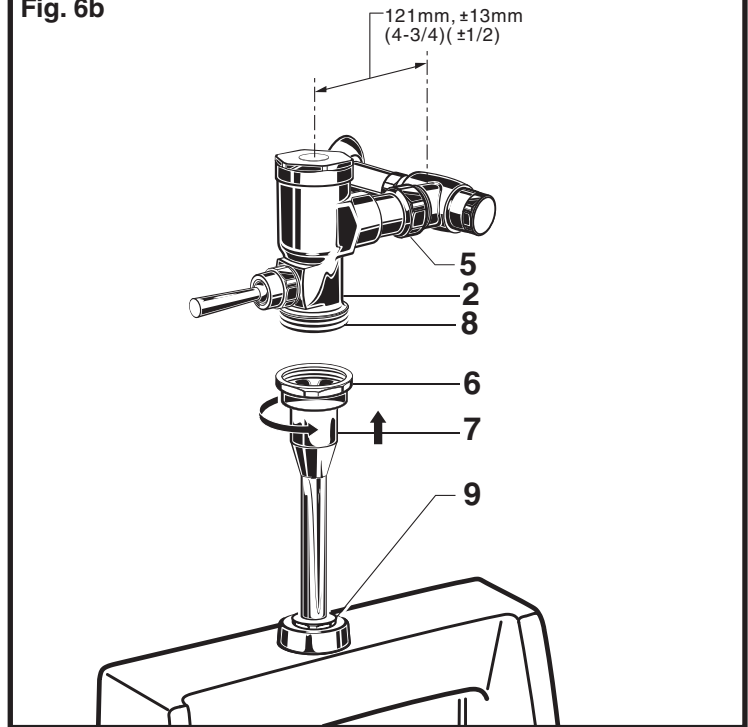


Fig. 6b



## 5 FLUSH OUT SUPPLY LINES; Fig. 7

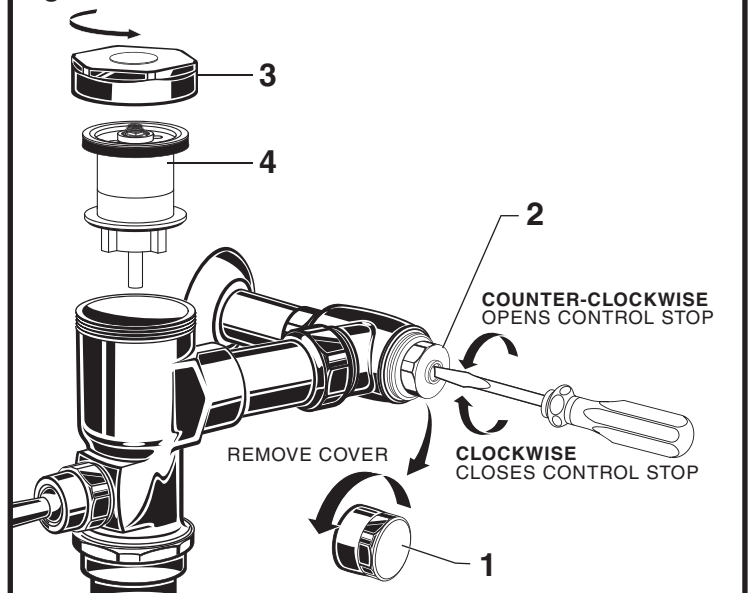
1. Remove COVER (1) from SUPPLY STOP (2). Make sure supply stop is closed.

2. Remove FLUSH VALVE CAP (3). Pull out PISTON (4). Replace FLUSH VALVE CAP (3) and tighten.

2. With a flat blade screwdriver open SUPPLY STOP (2) to flush line of any debris or sediment.

4. Close SUPPLY STOP (2). Remove FLUSH VALVE CAP (3). Replace PISTON (4). Replace FLUSH VALVE CAP (3) and tighten.

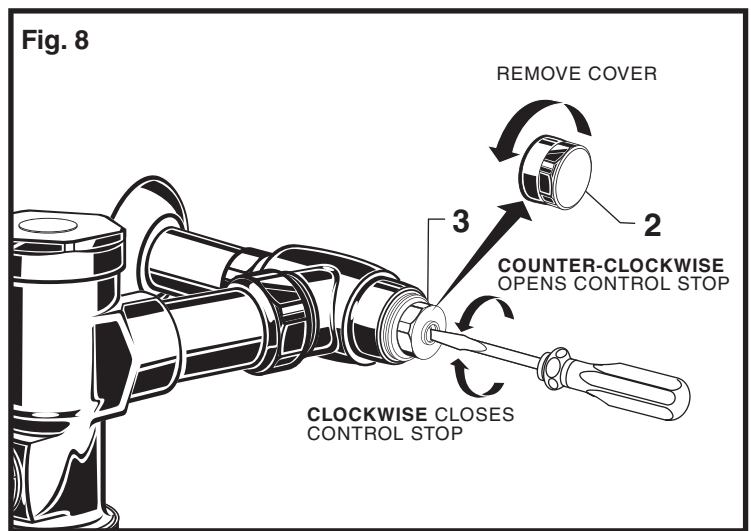
Fig. 7



## 6 ADJUST SUPPLY STOP; Fig. 8

**IMPORTANT:** To avoid overflowing, the SUPPLY STOP (3) must never be opened to the point where the flow from the valve exceeds the flow capacity of the fixture. The fixture and drain must be able to handle a continuous flow in case of a flush valve failure. Valve is designed to provide stated flush volume with a 10 GPM flow rate.

1. Remove COVER (2) from SUPPLY STOP (3). Turn on water supply 1/4 turn to 1/2 turn (CCW) and test for leaks. **Note: Unit may flush for approximately 5 to 10 sec. when water is first turned on.**
2. Actuate the FLUSH VALVE by pulling handle down.
3. Adjust SUPPLY STOP (3) after each flush until the stated flush volume is achieved, no splashing occurs and the fixture is properly cleansed.
4. When adjustment is complete, replace COVER (2) and tighten to ensure vandal-resistance.

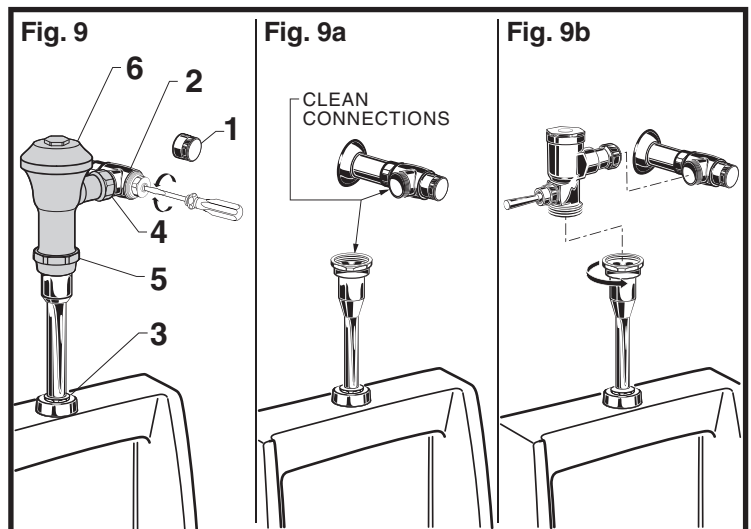


## 7 HOW TO RETROFIT OUR VALVE; Fig. 9

(Replaces Industry Standard Manual and Electronic Valves)

**Note:** In most Retrofits the wall escutcheon, supply stop, cover tube and vacuum breaker do not have to be replaced. If these items do need replacement they must be purchased separately or order the complete flush valve assembly from American Standard.

1. Remove COVER (1) from SUPPLY STOP (2) if installed. Fig. 9.
2. Turn water supply off. Fig. 9.
3. Loosen SPUD COUPLING NUT (3). Unthread COUPLING NUT (4) and VACUUM BREAKER COUPLING NUT (5). Remove FLUSH VALVE (6). Fig. 9a.
4. Clean all threaded connections before installing the new flush valve. Fig. 9a.
5. Refer to Sections 4,5 and 6 to complete the retrofit installation. Fig. 9b.



## 8 LEFT OR RIGHT HAND INSTALLATION; Fig. 10

1. The FLUSH VALVE can be installed either as a right or left hand installation.
2. Orientate the FLUSH VALVE as shown in Fig. 10 to desired position for a left or right hand installation.

