

**WASHBROOK® FloWise® UNIVERSAL URINAL WITH EVERCLEAN®**

- Vitreous china
- **Permanent EverClean® surface inhibits the growth of stain and odor causing bacteria, mold and mildew on the surface**
- Ultra High Efficiency, Low Consumption. Operates in the range of 0.125gpf to 1.0gpf (0.5 Lpf to 3.8 Lpf)
- Flushing rim
- Elongated 14" rim from finished wall
- Washout flush action
- Extended sides for privacy
- 3/4" inlet spud
- Outlet connection threaded 2" inside (NPTF)
- 2 wall hangers
- Fixture only
- Strainer included
- Meets ASME flush requirements at 0.125 to 1.0 gpf

**6590.001EC** Universal Top spud with EverClean

**Nominal Dimensions:**

360 x 480 x 664mm  
 (14-1/8" x 18-7/8" x 26-1/8")

Recommended working pressure – between 20 psi at valve when flushing and 80 psi static

**Compliance Certifications -**

**Meets or Exceeds the Following Specifications:**

- ASME A112.19.2-2008/CSA B45.1-08 for Vitreous China Fixtures



SEE REVERSE FOR ROUGHING-IN DIMENSIONS

**To Be Specified:**

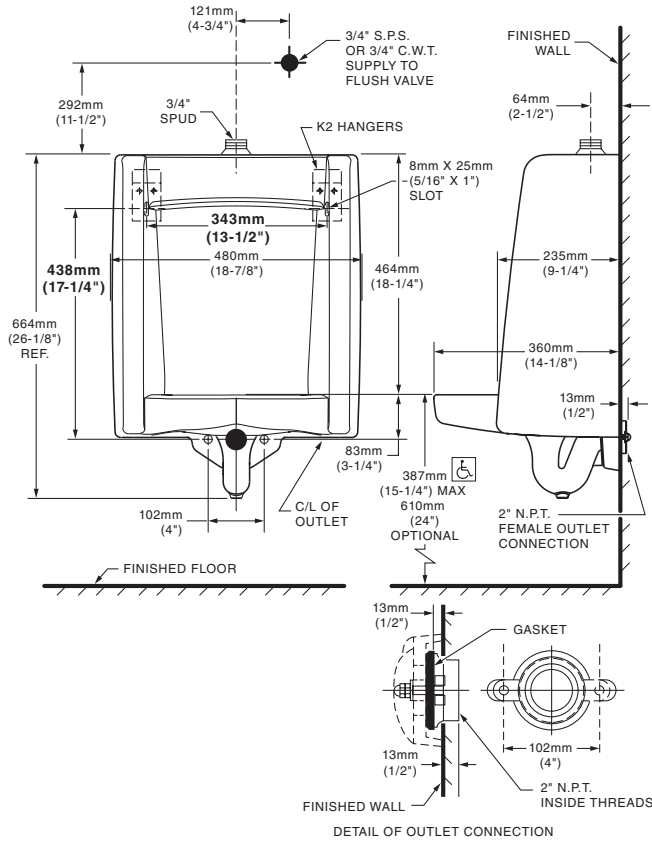
- Color:  White
- Flush Valve:
  - 1.0 gpf Flush Valve: Sensor-Operated:
    - American Standard Selectronic® #6063.101.002 DC Power (Top Spud)
  - 1.0 gpf Flush Valve: Manual-Operated:
    - American Standard # 6045.101.002
  - 0.5 gpf Flush Valve: Sensor-Operated:
    - American Standard Selectronic® #6063.051.002 DC Power (Top Spud)
  - 0.5 gpf Flush Valve: Manual-Operated:
    - American Standard #6045.051.002
  - 0.125 gpf Flush Valve: Sensor-Operated:
    - American Standard Selectronic® #6063.013.002 DC Power (Top Spud)
  - 0.125 gpf Flush Valve: Manual-Operated:
    - American Standard #6045.013.002




Certified by  
 IAPMO RBT  
 When used with  
 0.125 gpf or 0.5 gpf  
 urinal flush valves

**EVERCLEAN®**  
 Surface

**6590.001EC TOP SPUD**



 **MEETS THE AMERICANS WITH DISABILITIES ACT GUIDELINES AND ANSI A117.1 ACCESSIBLE AND USABLE BUILDINGS AND FACILITIES - CHECK LOCAL CODES.**

- When installed so top of rim is 387mm (15-1/4") from finished floor.

**NOTES:**  
 FLUSH VALVE NOT INCLUDED AND MUST BE ORDERED SEPARATELY.  
 PROVIDE SUITABLE REINFORCEMENT FOR ALL WALL SUPPORTS.

**IMPORTANT:** Dimensions of fixtures are nominal and may vary within the range of tolerances established by ANSI Standard A112.19.2. These measurements are subject to change or cancellation. No responsibility is assumed for use of superseded or voided pages.

# SELECTRONIC® SENSOR-OPERATED URINAL FLUSH VALVE, 0.5 GPF BATTERY POWERED



## GENERAL DESCRIPTION:

Exposed, sensor-operated Selectronic® Urinal Flush Valve for 3/4" top spud urinals. CR-P2 lithium battery powered.

## PRODUCT FEATURES:

- **Factory-Installed CR-P2 Lithium Battery**
- **Pressure Compensation** feature ensures accurate flush volume regardless of inlet water pressure
- **Self-Cleaning Piston** with integral wiper spring significantly reduces clogging and maintenance
- **No Routine Maintenance** no diaphragms to replace; no filters to clean
- **Selectronic® Proximity System** with universal sensor provides hygienic, "hands free" operation
- **State-of-the-Art Electronics** prevent ghost flushing
- **Dezincification Resistant** brass alloy
- **Fully Mechanical Manual Override Button** can flush the valve without power
- **Fail-Safe:** Valve automatically closes upon loss of power or water pressure and does not need to be reset
- **Adjustable Sanitary Flush** cleans the fixture & maintains the trap seal.
- **Stadium Feature:** Valve automatically switches to water savings mode during periods of heavy usage
- **Chemical Resistant EPDM Seals** for extended life
- **High Back Pressure Vacuum Breaker**
- **Adjustable Tailpiece**
- **Range can be adjusted manually or with optional remote control**
- **No external volume adjustment.**
- **Can be installed left or right handed**

## MODEL NUMBER:

- **6063.051.002** Exposed, sensor-operated flush valve for 3/4" top spud urinals, 0.5 gpf.
- Inlet includes 3/4" sweat solder kit and angle stop with back flow protection and vandal-resistant cap.
- Outlet includes 3/4" high back pressure vacuum breaker with spud coupling and flange.

## OPERATING PRESSURE:

20 psi (flowing) - 80 psi (static)

## FLOW REQUIREMENT:

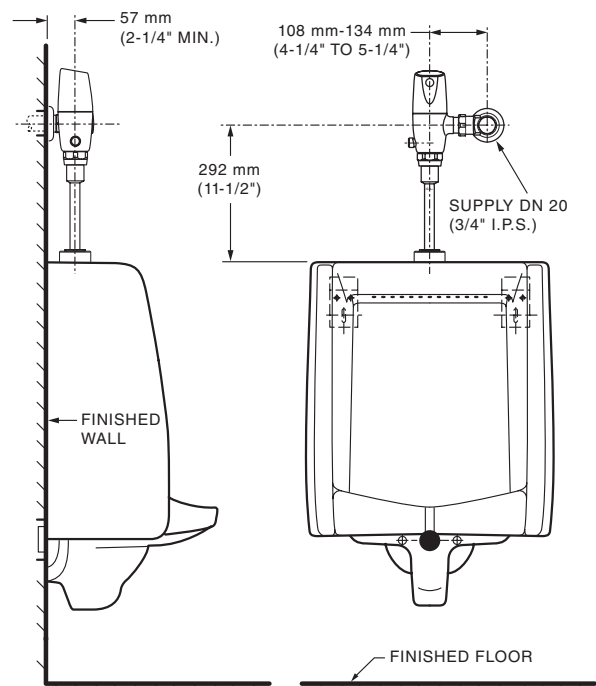
10 gpm (37.9 L/min.)

## BATTERY LIFE:

4 years @ 4,000 flushes per month

## OPTIONAL ACCESSORY:

- Cast wall flange with set screw (6065816.002)
- 12-1/2" long vacuum breaker (M964446-0020A) - 4" longer than standard



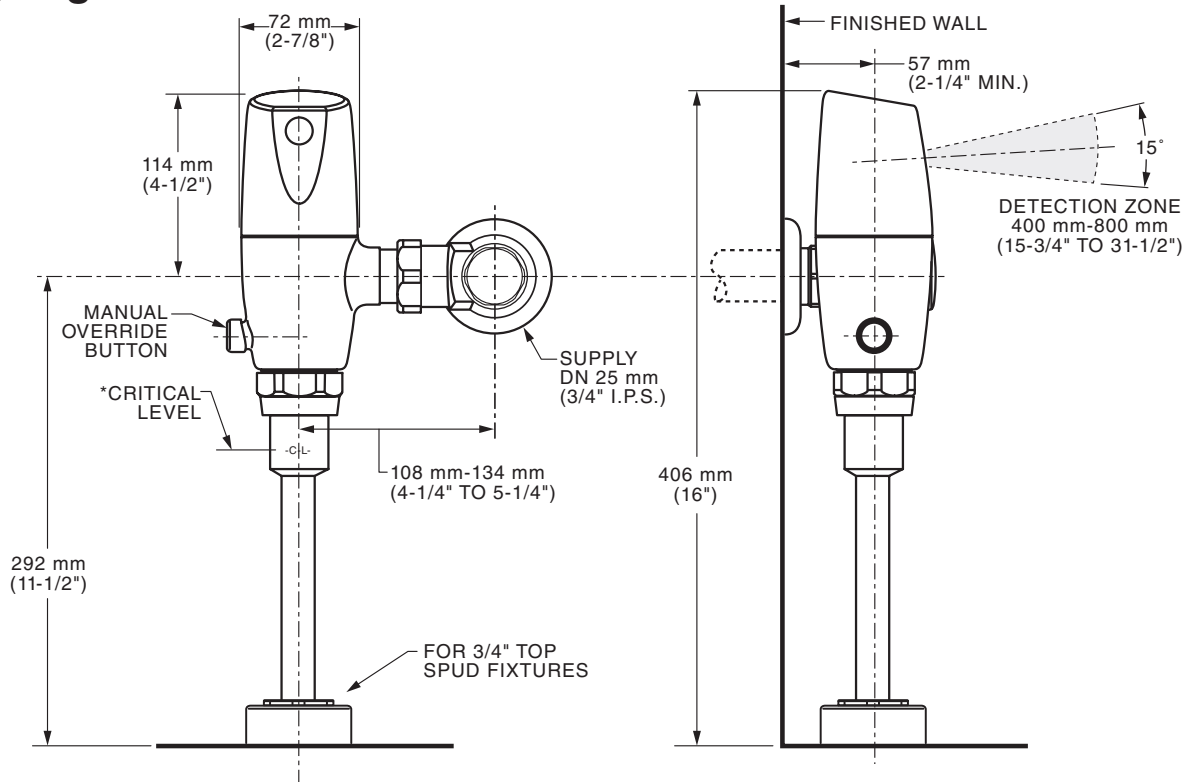
## RECOMMENDED SPECIFICATION:

Electronic, sensor activated urinal flush valve shall feature self-cleaning piston valve with integral wiper spring in refill orifice to prevent clogging. Includes a factory-installed CR-P2 lithium battery and fully mechanical manual override that can flush the valve without power. Includes dezincification-resistant brass valve body and metal cover with chrome finish. Includes angle stop with back-flow protection & vandal-resistant cap. Sweat solder kit and high back pressure vacuum breaker also included. 0.5 gpf / 1.9 Lpf flush valve shall be American Standard Model # 6063.051.002.

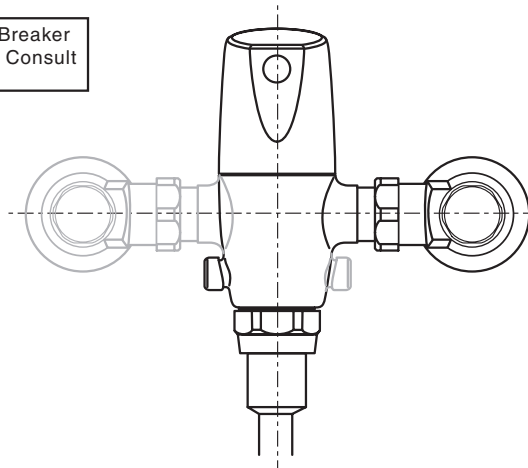
**LISTINGS:**

- ASSE 1037
- ANSI/ASME A112.19.2
- ADA Compliant

**Roughing-in Dimensions**



\*Note: The Critical Line (-C-L-) on Vacuum Breaker must typically be 6" (152mm) above fixture. Consult Codes for details.



**Right or Left Hand Installation**