

**MAYBROOK® UNIVERSAL WASHOUT URINAL**

- Vitreous china
- Ultra High Efficiency, Low Consumption. Operates in the range of 0.125 gpf to 1.0 gpf (0.5 Lpf to 3.8 Lpf)
- Flushing rim
- Washout flush action
- Integral strainer
- 3/4" inlet spud
- Outlet spud with 1-1/2" tubing tailpiece
- Wall hanger
- Fixture only
- Meets ANSI flush requirements at 0.125 to 1.0 gpf

**6581.001** Top spud

**Nominal Dimensions:**

324 x 324 x 457mm  
(12-3/4" x 12-3/4" x 18")

Recommended working pressure – between  
20 psi at valve when flushing and 80 psi static

**Compliance Certifications -**

**Meets or Exceeds the Following Specifications:**

- ASME A112.19.2 for Vitreous China Fixtures



SEE REVERSE FOR ROUGHING-IN DIMENSIONS

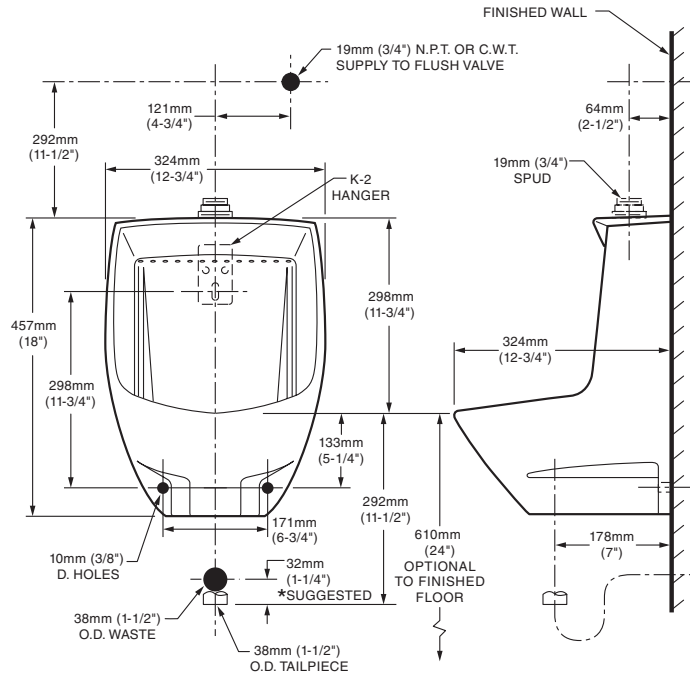
**To Be Specified:**

- Color:  White
- Flush Valve:
  - 1.0 gpf Flush Valve: Sensor-Operated:
    - American Standard Selectronic® #6063.101.002 DC Power (Top Spud)
    - American Standard Selectronic® #6062.101.002 AC Power (Back Spud)
  - 1.0 gpf Flush Valve: Manual-Operated:
    - American Standard # 6045.101.002
  - 0.5 gpf Flush Valve: Sensor-Operated:
    - American Standard Selectronic® #6063.051.002 DC Power (Top Spud)
    - American Standard Selectronic® #6062.051.002 AC Power (Back Spud)
  - 0.5 gpf Flush Valve: Manual-Operated:
    - American Standard #6045.051.002
  - 0.125 gpf Flush Valve: Sensor-Operated:
    - American Standard Selectronic® #6063.013.002 DC Power (Top Spud)
    - American Standard Selectronic® #6062.013.002 AC Power (Back Spud)
  - 0.125 gpf Flush Valve: Manual-Operated:
    - American Standard #6045.013.002
- "P" Trap:



Certified by  
IAPMO RST  
When used with  
0.125 gpf or 0.5 gpf  
urinal flush valves

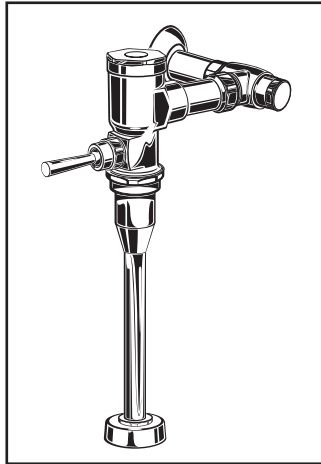
6581.001 TOP SPUD



**NOTES:**

\* DIMENSIONS SHOWN FOR LOCATION OF "P" TRAP IS SUGGESTED.  
"P" TRAP AND FLUSH VALVE NOT INCLUDED AND MUST BE ORDERED SEPARATELY.  
PROVIDE SUITABLE REINFORCEMENT FOR ALL WALL SUPPORTS.

**IMPORTANT:** Dimensions of fixtures are nominal and may vary within the range of tolerances established by ANSI Standard A112.19.2. These measurements are subject to change or cancellation. No responsibility is assumed for use of superseded or voided pages.



**GENERAL DESCRIPTION:**

Manual Piston-Type Urinal Flush Valve for 3/4" top spud urinals.

**INCLUDES:**

- 3/4" I.P.S. angle stop with back-flow prevention and vandal-resistant cap
- Sweat solder kit including cover tube and wall flange
- High back pressure vacuum breaker with down tube
- Spud coupling & flange for 3/4" top spud

**PRODUCT FEATURES:**

- Self-cleaning brass piston with integral wiper spring prevents clogging and reduces maintenance
- Piston operation delivers superior flush accuracy and repeatability
- Piston valve remains closed and does not need to be reset after loss of water pressure
- Non-hold open handle
- Positive seal ensures leak-free performance
- No external volume adjustment
- Durable chrome-plated cast brass construction is ideal for commercial applications
- Chloramine-resistant EPDM seals
- Adjustable tailpiece for rough-in flexibility
- Can be installed left or right handed
- ADA compliant

**MODEL NUMBER:**

- ☐ **6045.013.002** Flush Valve for 3/4" top spud urinal, 0.125 gpf

**OPERATING PRESSURE:**

Overall Range: 20-125 psi\*\*  
Recommended: 20 psi (flowing)-80 psi (static)

\*\* Water pressure over 80 psi is not recommended for most plumbing fixtures.

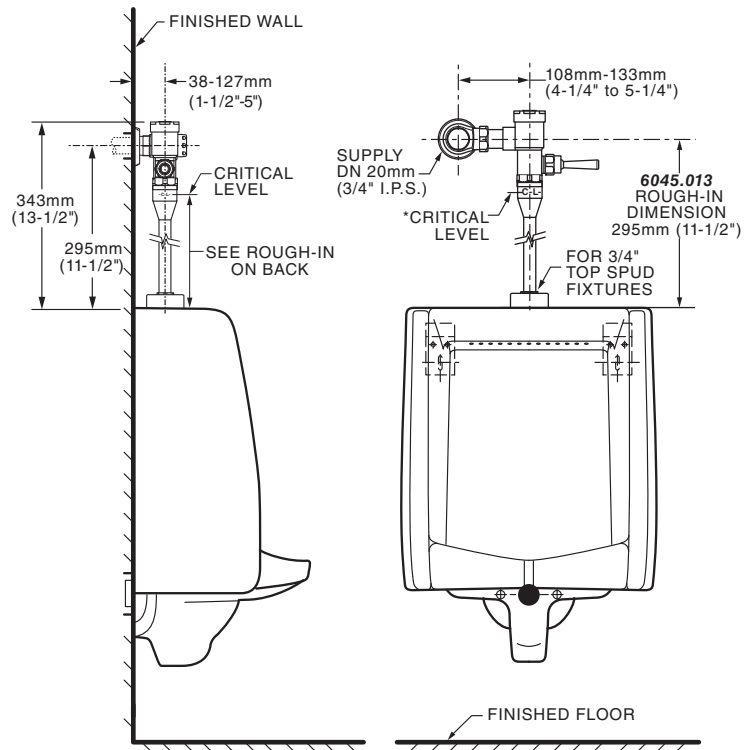
**FLOW REQUIREMENT:**

8gpm (30.3 L/min.)

**ACCESSORIES:**

- Cast wall flanges (3/4")

**TYPICAL URINAL INSTALLATION:  
WASHBROOK URINAL SHOWN**



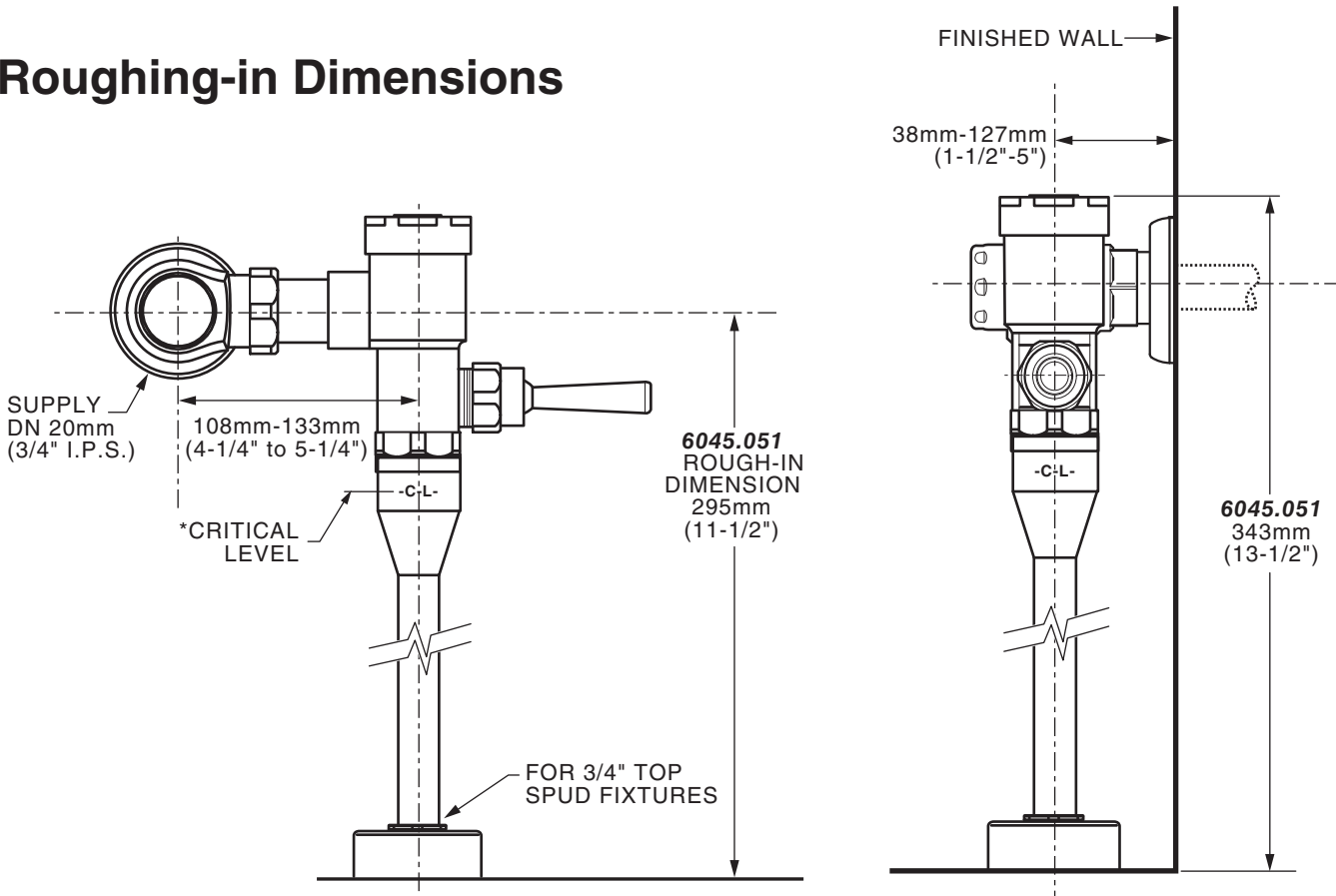
**RECOMMENDED SPECIFICATION:**

Manual urinal flush valve shall feature self-cleaning brass piston valve with integral wiper spring in bypass orifice to prevent clogging. Valve remains closed and does not need to be reset after loss of water pressure. Includes cast brass valve body and cover with chrome finish and vandal resistant stop cap. Includes sweat solder kit with wall flange and cover tube. Angle stop with back-flow protection and vacuum breaker included. 0.125 gpf / 0.5Lpf Flush valve shall be American Standard Model # 6045.013.002.

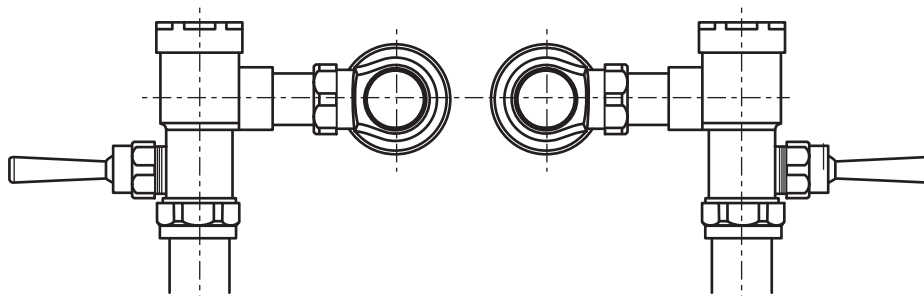
**LISTINGS:**

- ASSE 1037
- ANSI/ASME A112.19.2
- ADA Compliant

**Roughing-in Dimensions**



\*Note: The Critical Line (-C-L) on Vacuum Breaker must typically be a minimum of 6" (152mm) above fixture. Consult Codes for details.



**Left or Right Hand Installation**

 MEETS THE AMERICANS WITH DISABILITIES ACT GUIDELINES AND ANSI A117.1 REQUIREMENTS FOR ACCESSIBLE AND USABLE BUILDING FACILITIES-CHECK LOCAL CODES