

PINTBROOK™ URINAL

- Vitreous china
- High Efficiency operates in the range of 0.125 gpf to 0.50 gpf (0.47 Lpf/1.9 Lpf)
- Powerful washdown action
- Optimized chinaware contours provide superior splash protection
- 3/4" inlet top spud
- Outlet connection threaded 2" NPT
- Wall hangers included
- Fixture only
- Made in Mexico (NAFTA compliant)

6002.001 Top spud

Nominal Dimensions:

366 x 364 x 575mm
(14-7/16" x 14-5/16" x 22-5/8")

Recommended working pressure – between 20 psi at valve when flushing and 80 psi static

Compliance Certifications -

Meets or Exceeds the Following Specifications:

- ASME A112.19.2-2008/CSA B45.1-08 for Vitreous China Fixtures



SEE REVERSE FOR ROUGHING-IN DIMENSIONS

To Be Specified:

- Color: White
- Flush Valve:

0.5 gpf Flush Valve: Sensor-Operated:

- American Standard Selectronic® #6063.051.002 DC Power

0.5 gpf Flush Valve: Manual-Operated:

- American Standard #6045.051.002

0.125 gpf Flush Valve: Sensor-Operated:

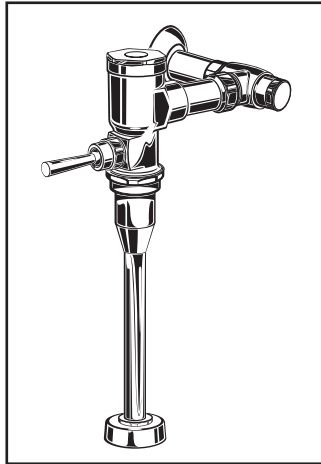
- American Standard Selectronic® #6063.013.002 DC Power

0.125 gpf Flush Valve: Manual-Operated:

- American Standard #6045.013.002



When used with
0.125 gpf or 0.5 gpf
urinal flush valves



GENERAL DESCRIPTION:

Manual Piston-Type Urinal Flush Valve for 3/4" top spud urinals.

INCLUDES:

- 3/4" I.P.S. angle stop with back-flow prevention and vandal-resistant cap
- Sweat solder kit including cover tube and wall flange
- High back pressure vacuum breaker with down tube
- Spud coupling & flange for 3/4" top spud

PRODUCT FEATURES:

- Self-cleaning brass piston with integral wiper spring prevents clogging and reduces maintenance
- Piston operation delivers superior flush accuracy and repeatability
- Piston valve remains closed and does not need to be reset after loss of water pressure
- Non-hold open handle
- Positive seal ensures leak-free performance
- No external volume adjustment
- Durable chrome-plated cast brass construction is ideal for commercial applications
- Chloramine-resistant EPDM seals
- Adjustable tailpiece for rough-in flexibility
- Can be installed left or right handed
- ADA compliant

MODEL NUMBER:

- ☐ **6045.013.002** Flush Valve for 3/4" top spud urinal, 0.125 gpf

OPERATING PRESSURE:

Overall Range: 20-125 psi**
Recommended: 20 psi (flowing)-80 psi (static)

** Water pressure over 80 psi is not recommended for most plumbing fixtures.

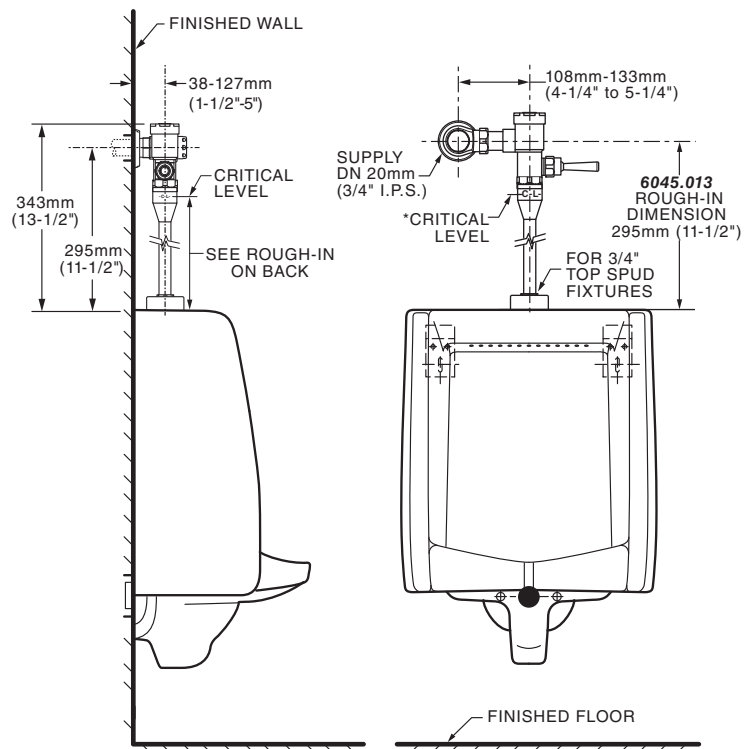
FLOW REQUIREMENT:

8gpm (30.3 L/min.)

ACCESSORIES:

- Cast wall flanges (3/4")

**TYPICAL URINAL INSTALLATION:
WASHBROOK URINAL SHOWN**



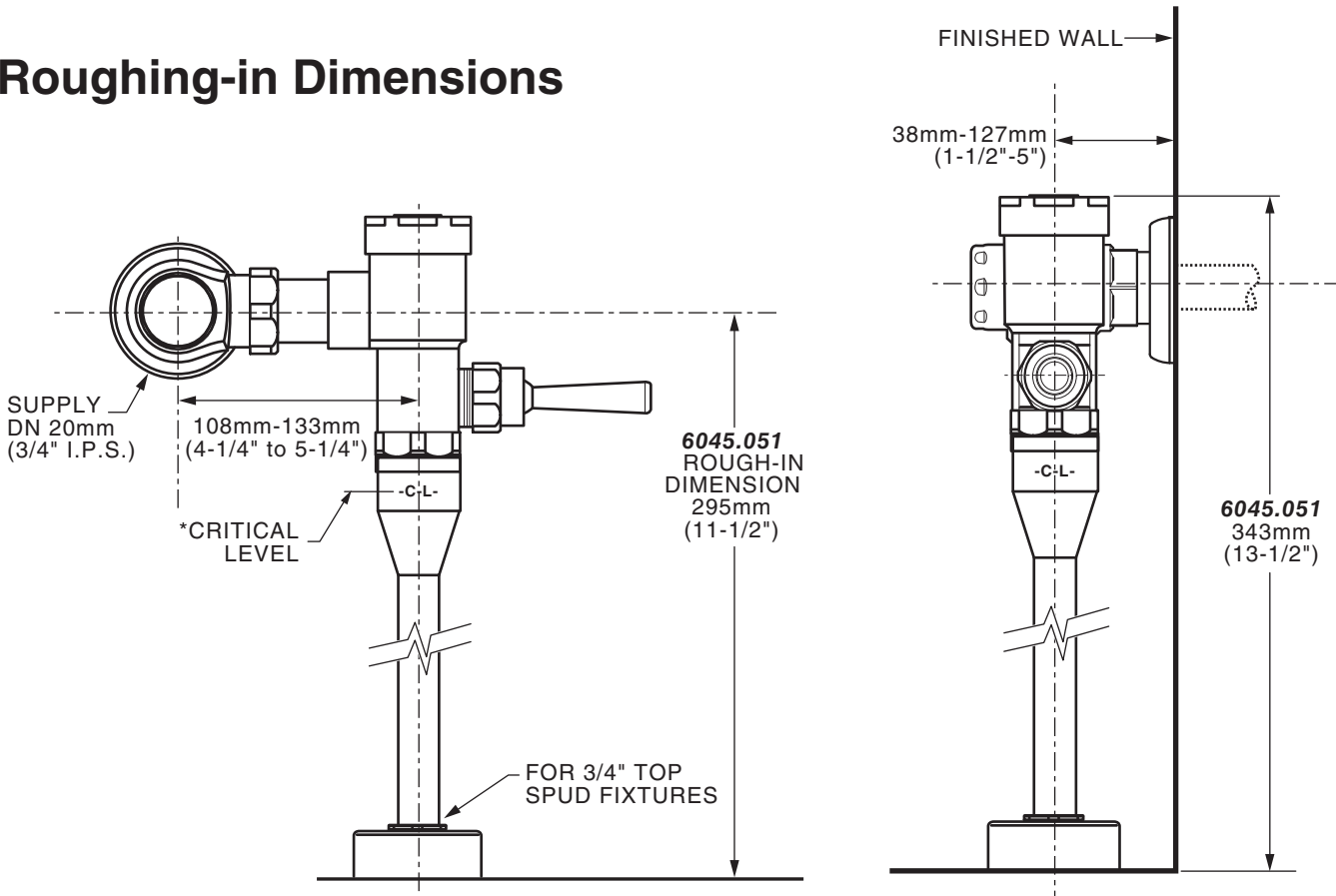
RECOMMENDED SPECIFICATION:

Manual urinal flush valve shall feature self-cleaning brass piston valve with integral wiper spring in bypass orifice to prevent clogging. Valve remains closed and does not need to be reset after loss of water pressure. Includes cast brass valve body and cover with chrome finish and vandal resistant stop cap. Includes sweat solder kit with wall flange and cover tube. Angle stop with back-flow protection and vacuum breaker included. 0.125 gpf / 0.5Lpf Flush valve shall be American Standard Model # 6045.013.002.

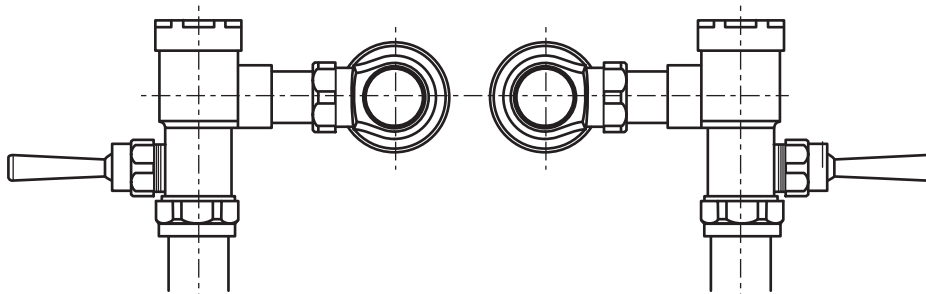
LISTINGS:

- ASSE 1037
- ANSI/ASME A112.19.2
- ADA Compliant

Roughing-in Dimensions



*Note: The Critical Line (-C-L-) on Vacuum Breaker must typically be a minimum of 6" (152mm) above fixture. Consult Codes for details.



Left or Right Hand Installation

 MEETS THE AMERICANS WITH DISABILITIES ACT GUIDELINES AND ANSI A117.1 REQUIREMENTS FOR ACCESSIBLE AND USABLE BUILDING FACILITIES-CHECK LOCAL CODES