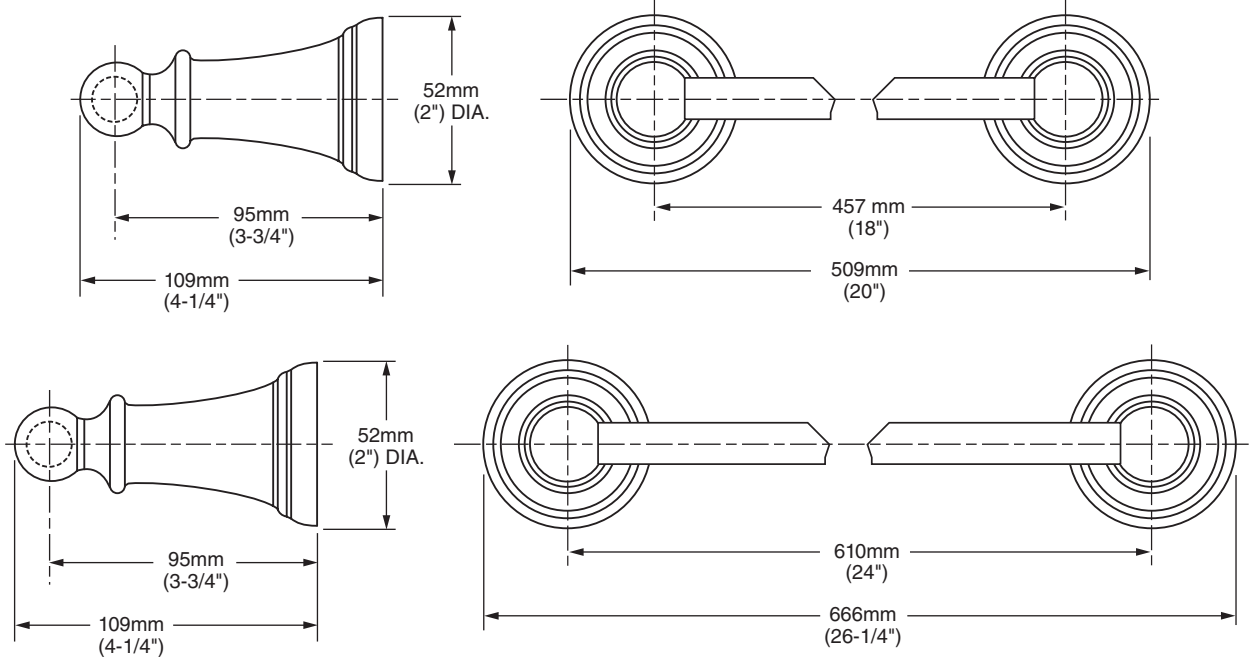


MODEL NUMBER:

- ☐ 8334.018 18" Towel Bar
- ☐ 8334 .024 24" Towel Bar

Available Finishes

.002	Polished Chrome
.224	Oil Rubbed Bronze
.295	Satin Nickel (PVD)



PRODUCT FEATURES:

Materials of Construction: Metal construction for durability & long life. Brass Rod.

Concealed Mounting: No exposed set screws.

Easy to Install

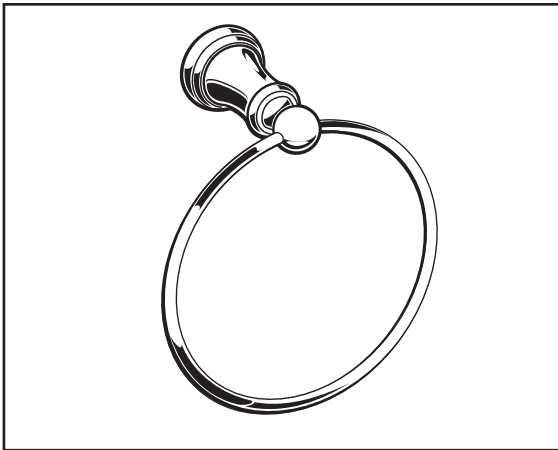
Durability of Finishes: Chrome and PVD finishes will never tarnish.

SUGGESTED SPECIFICATION:

18" and 24" Towel Bar shall feature metal construction with tarnish - free PVD finish. Rod shall be brass. Shall feature concealed mounting with no exposed set screws. Towel Bar shall be American Standard Model # 8334.____.____.

American Standard

Style That Works Better

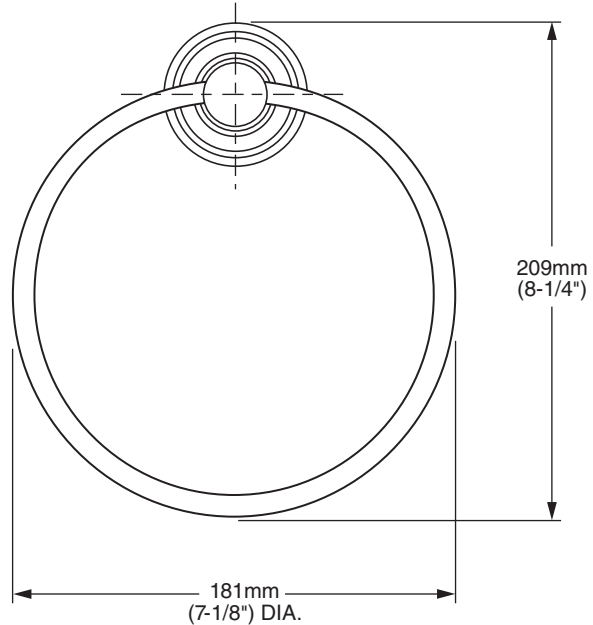
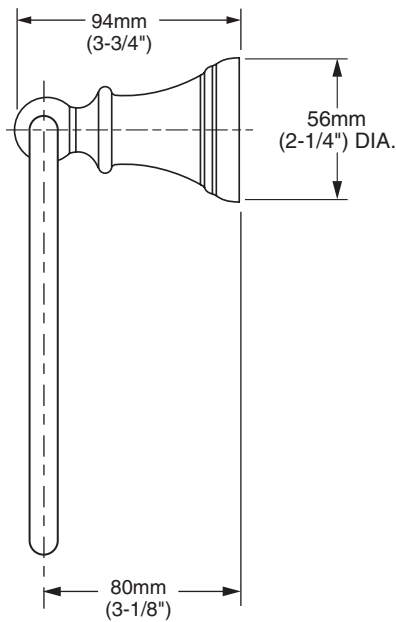


MODEL NUMBER:

■ 8334.190 - Towel Ring

Available Finishes

.002	Polished Chrome
.224	Oil Rubbed Bronze
.295	Satin Nickel (PVD)



PRODUCT FEATURES:

Materials of Construction:

- Metal construction for durability and long life.
- Bushing on towel ring to prevent scratching and squeaking.

Concealed Mounting: No exposed set screws.

Easy to Install

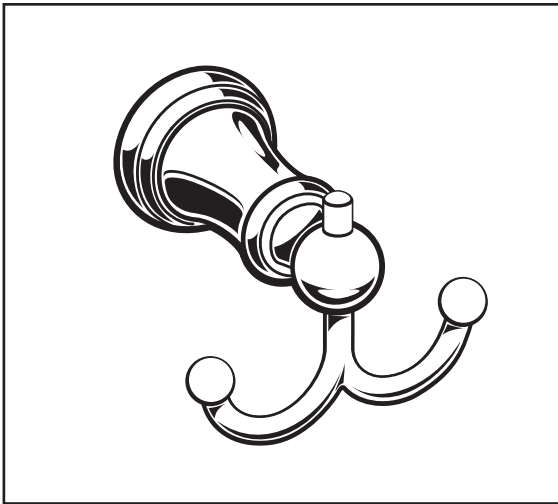
Durability of Finishes: Chrome and PVD finishes will never tarnish.

SUGGESTED SPECIFICATION:

Towel Ring shall feature metal construction with tarnish - free PVD finish. Shall feature concealed mounting with no exposed set screws. Towel Ring shall have bushing to prevent scratching and squeaking. Towel Ring shall be American Standard Model # 8334.190.____.

American Standard

Style That Works Better

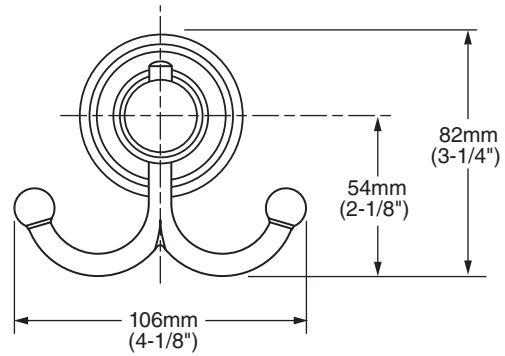
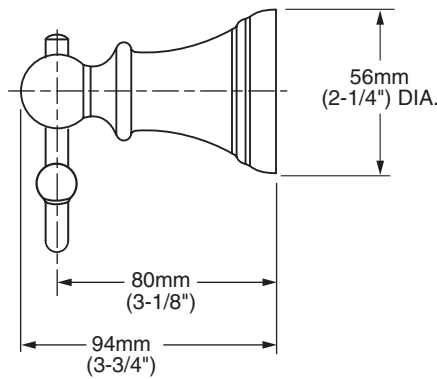


MODEL NUMBER:

☐ 8334.210 Robe Hook

Available Finishes

.002	Polished Chrome
.224	Oil Rubbed Bronze
.295	Satin Nickel (PVD)



PRODUCT FEATURES:

Materials of Construction: Metal construction for durability & long life.

Concealed Mounting: No exposed set screws.

Easy to Install

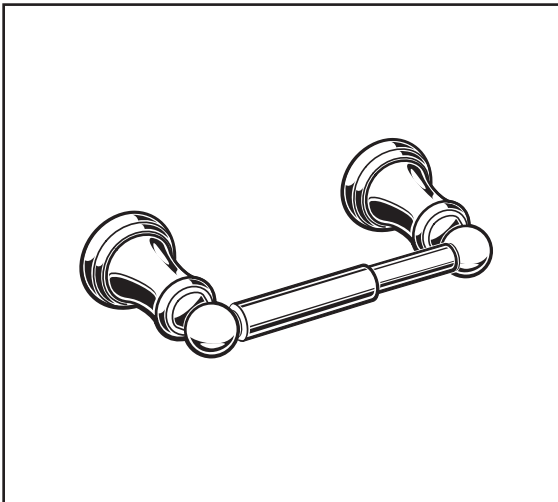
Durability of Finishes: Chrome and PVD finishes will never tarnish.

SUGGESTED SPECIFICATION:

Robe Hook shall feature metal construction with tarnish - free PVD finish. Shall feature concealed mounting with no exposed set screws. Robe Hook shall be American Standard Model # 8334.210.____.

American Standard

Style That Works Better

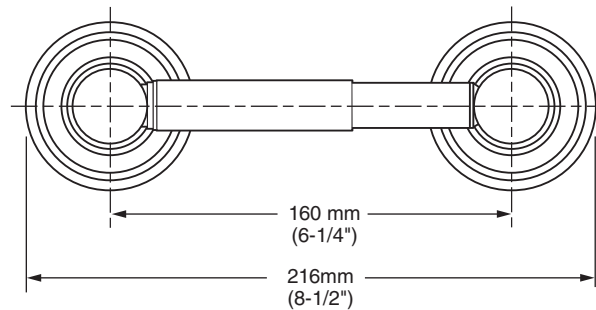
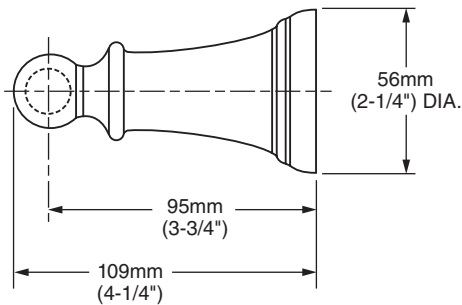


MODEL NUMBER:

■ 8334.230 - Toilet Tissue Holder

Available Finishes

.002	Polished Chrome
.224	Oil Rubbed Bronze
.295	Satin Nickel (PVD)



PRODUCT FEATURES:

Materials of Construction: Metal construction for durability & long life.

Concealed Mounting: No exposed set screws.

Easy to Install

Durability of Finishes: Chrome and PVD finishes will never tarnish.

SUGGESTED SPECIFICATION:

Toilet Tissue Holder shall feature metal construction with tarnish - free PVD finish. Shall feature concealed mounting with no exposed set screws. Toilet Tissue Holder tube shall be Brass tube. Toilet Tissue Holder shall be American Standard Model # 8334.230.____.

American Standard

Style That Works Better
