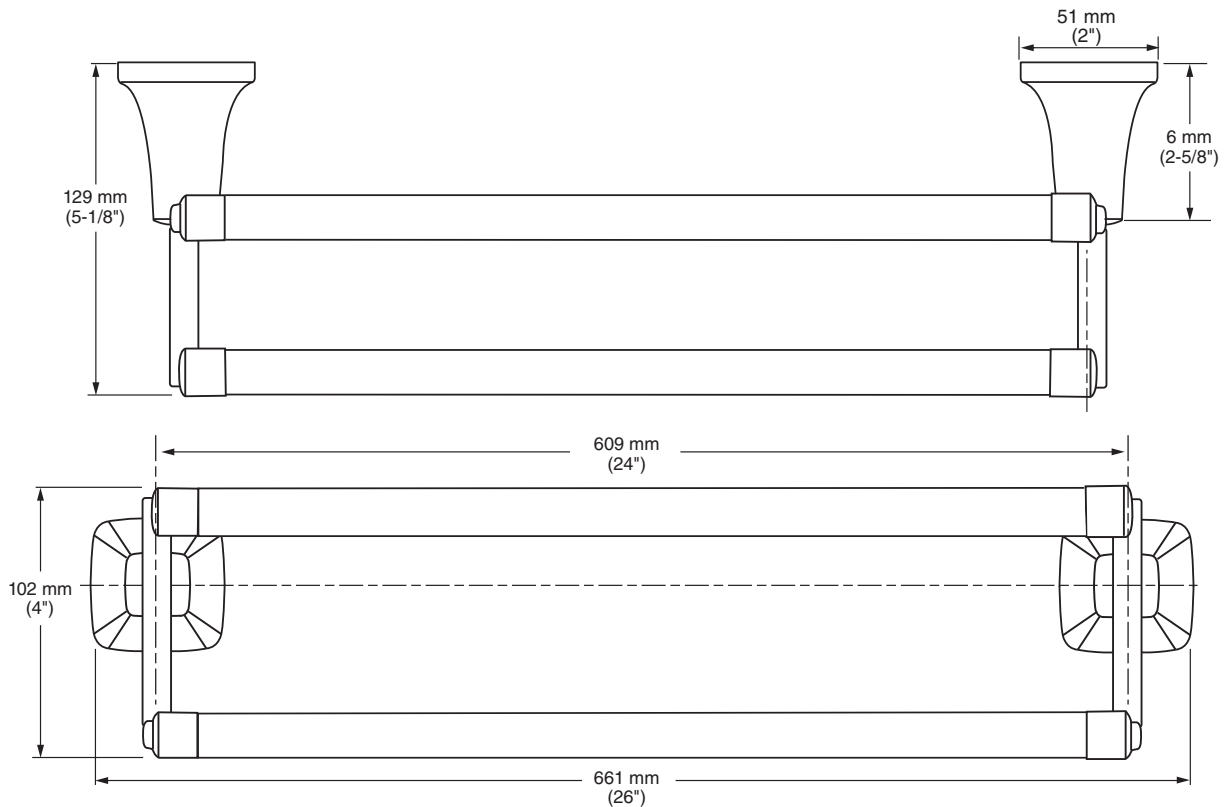


MODEL NUMBER:

□ 7353.224 - DOUBLE Towel Bar

Available Finishes

002	Polished Chrome
013	PVD Polished Nickel
278	Legacy Bronze
295	PVD Satin Nickel



PRODUCT FEATURES:

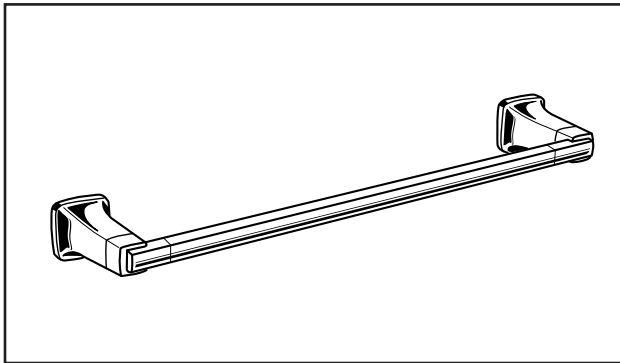
Materials of Construction: Metal construction for durability & long life. Brass rod.

Concealed Mounting: No exposed set screws.

Easy to Install

SUGGESTED SPECIFICATION

24" Double Towel Bar shall feature metal construction. Rods shall be brass. Shall feature concealed mounting with no exposed set screws. Double Towel Bar shall be American Standard Model # 7353.224.____.

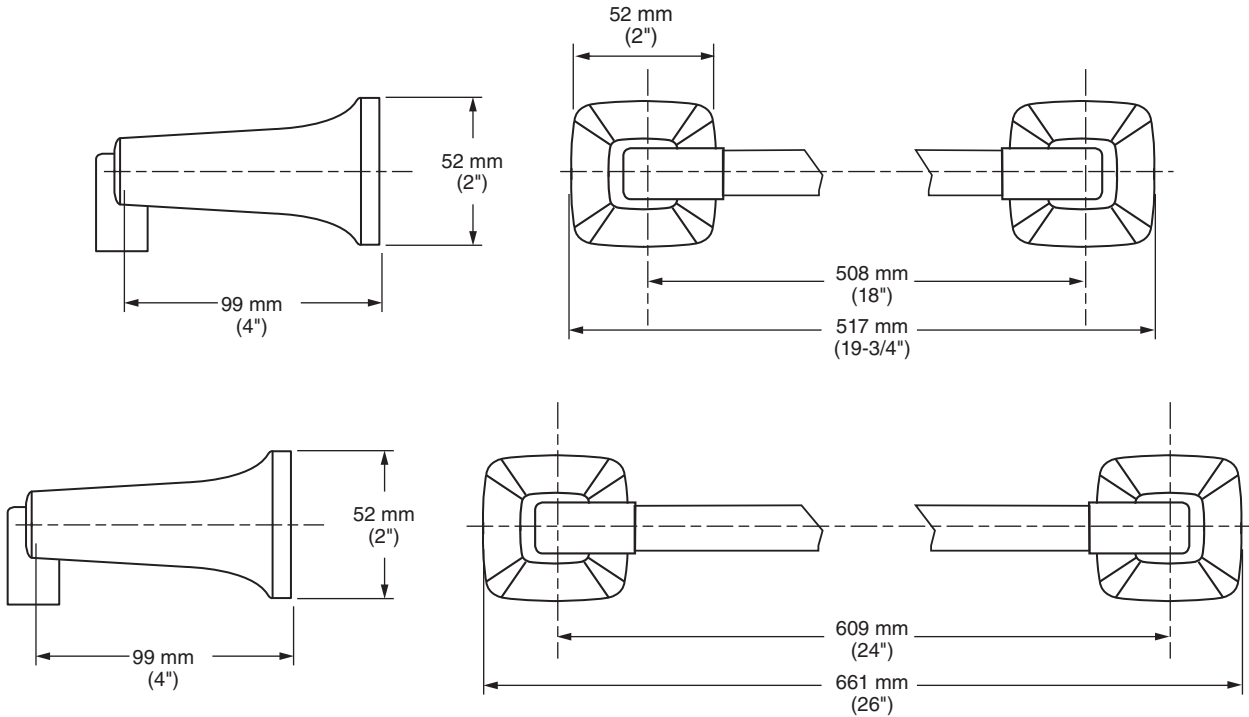


MODEL NUMBER:

- ☐ 7353.018 - 18" Towel Bar
- ☐ 7353.024 - 24" Towel Bar

Available Finishes

002	Polished Chrome
013	PVD Polished Nickel
278	Legacy Bronze
295	PVD Satin Nickel



PRODUCT FEATURES:

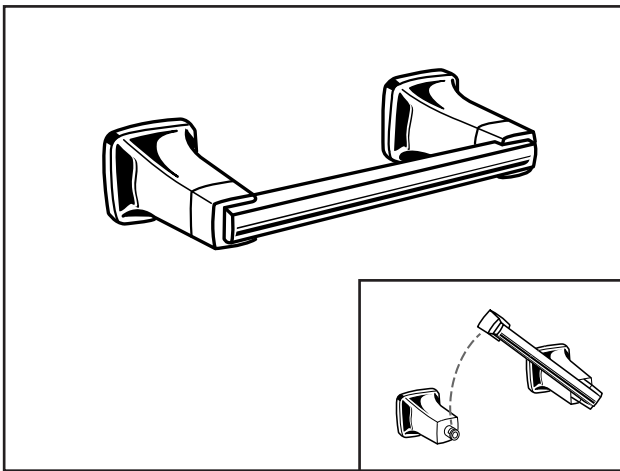
Materials of Construction: Metal construction for durability & long life. Brass rod.

Concealed Mounting: No exposed set screws.

Easy to Install

SUGGESTED SPECIFICATION

18" and 24" Towel Bar shall feature metal construction. Rod shall be brass. Shall feature concealed mounting with no exposed set screws. Towel Bar shall be American Standard Model # 7353.....

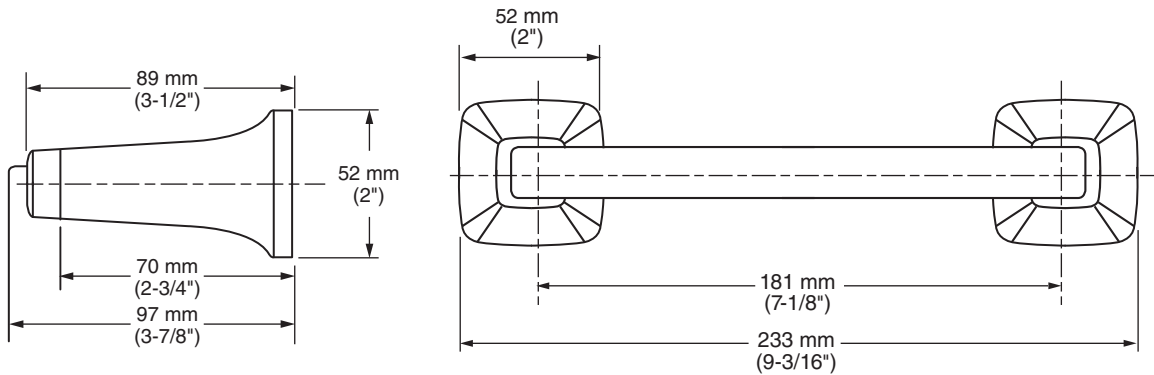


MODEL NUMBER:

□ 7353.230 - Pivoting Toilet Paper Holder

Available Finishes

002	Polished Chrome
013	PVD Polished Nickel
278	Legacy Bronze
295	PVD Satin Nickel



PRODUCT FEATURES:

Materials of Construction: Metal construction for durability & long life.

Concealed Mounting: No exposed set screws.

Easy to Install

Easy to Use: Pivoting toilet paper bar for quick and easy replacement .

SUGGESTED SPECIFICATION

Toilet Paper Holder shall feature metal construction. Shall feature concealed mounting with no exposed set screws. Toilet Paper Holder bar shall pivot. Toilet Paper Holder shall be American Standard Model # 7353.230.....