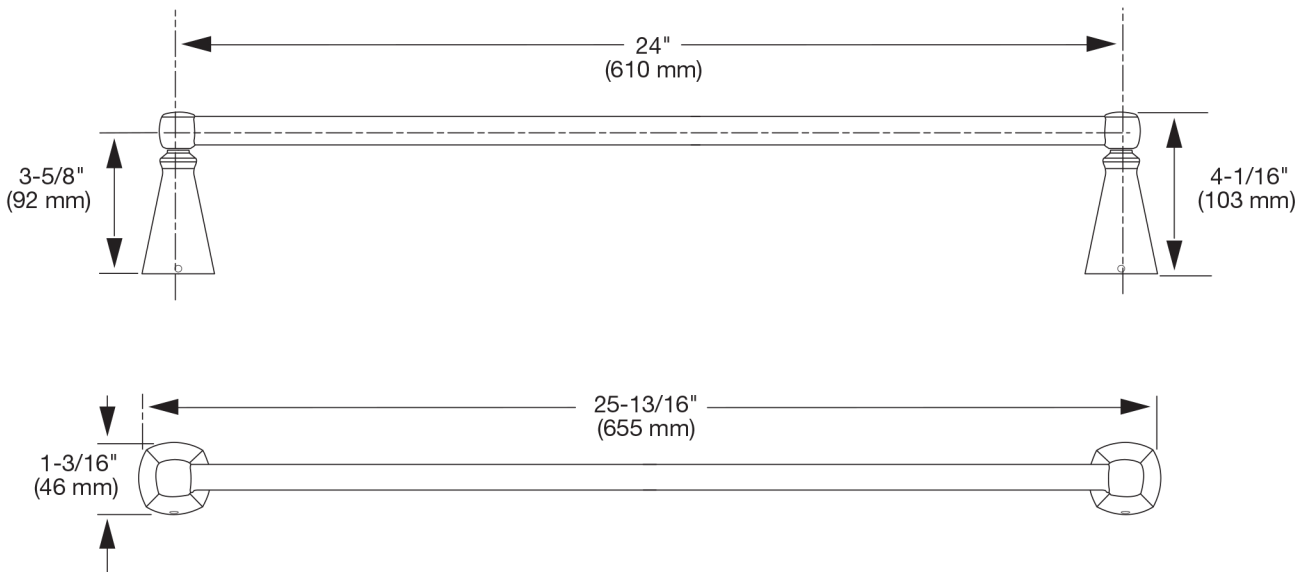


**MODEL NUMBER:**

□ 7018.024 - 24" Towel Bar

**Available Finishes**

002	Polished Chrome
278	Legacy Bronze
295	Brushed Nickel



**PRODUCT FEATURES:**

**Materials of Construction:**

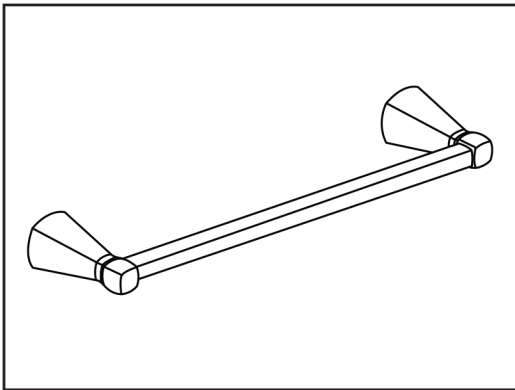
Metal construction for durability and long life

**Concealed Mounting:** No exposed set screws.

**Easy to Install:** Template included for mounting.

**SUGGESTED SPECIFICATION:**

24" Towel Bar shall feature metal construction. Rod shall be brass. Shall feature concealed mounting with no exposed set screws. Towel Bar shall be American Standard Model # 7018.024.\_\_\_\_.

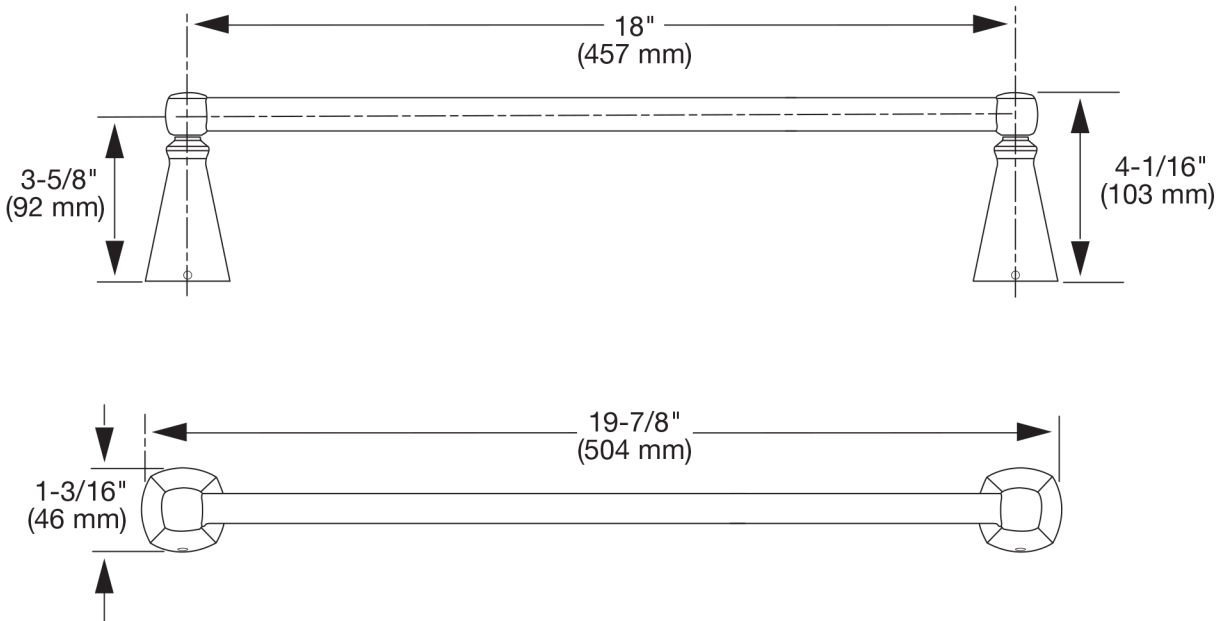


**MODEL NUMBER:**

□ 7018.018 - 18" Towel Bar

**Available Finishes**

002	Polished Chrome
278	Legacy Bronze
295	Brushed Nickel



**PRODUCT FEATURES:**

**Materials of Construction:**

Metal construction for durability and long life.

**Concealed Mounting:** No exposed set screws.

**Easy to Install:** Template included for mounting.

**SUGGESTED SPECIFICATION:**

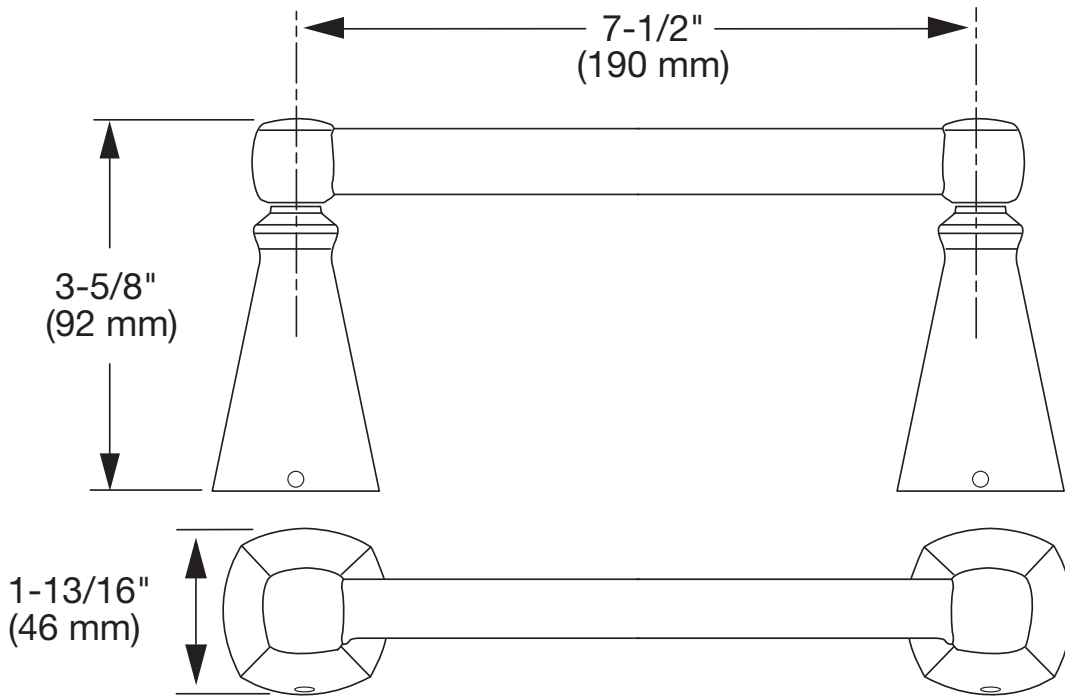
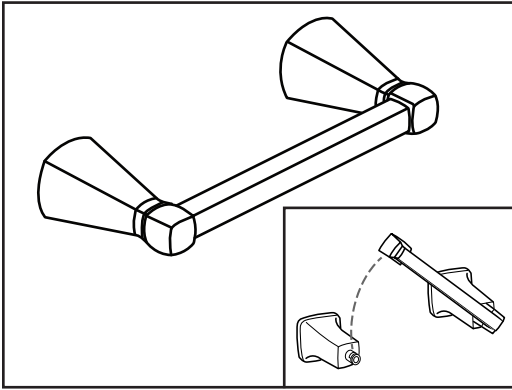
18" Towel Bar shall feature metal construction. Rod shall be brass. Shall feature concealed mounting with no exposed set screws. Towel Bar shall be American Standard Model # 7018.018.\_\_\_\_.

**MODEL NUMBER:**

□ 7018.230 Toilet Paper Holder

**Available Finishes**

002	Polished Chrome
278	Legacy Bronze
295	Brushed Nickel



**PRODUCT FEATURES:**

**Materials of Construction:**

- Arm pivots for easy roll replacement.
- Metal construction for durability and long life.

**Concealed Mounting:** No exposed set screws.

**Easy to Install:** Template included for mounting.

**SUGGESTED SPECIFICATION:**

Toilet Paper Holder shall feature metal construction. Shall feature concealed mounting with no exposed set screws. Toilet Paper Holder bar shall pivot. Toilet Paper Holder shall be American Standard Model # 7018.230.\_\_\_\_\_.