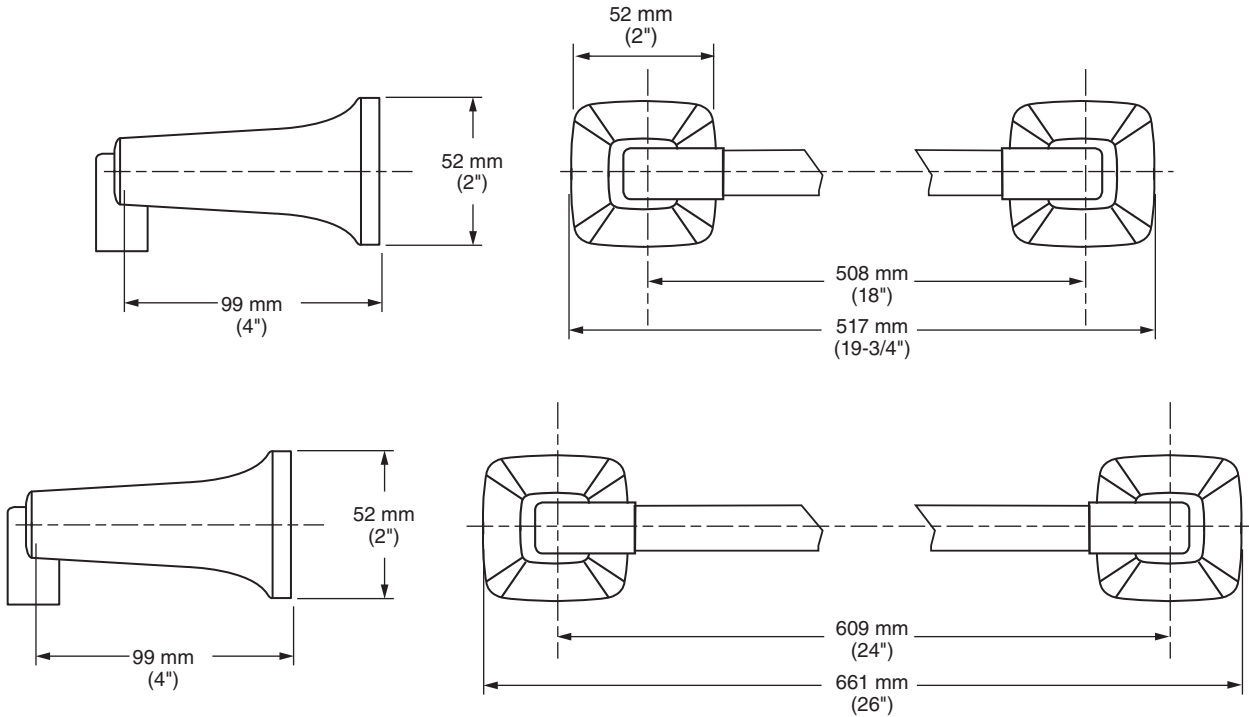


MODEL NUMBER:

- ☐ 7353.018 - 18" Towel Bar
- ☐ 7353.024 - 24" Towel Bar

Available Finishes

002	Polished Chrome
013	PVD Polished Nickel
278	Legacy Bronze
295	PVD Satin Nickel



PRODUCT FEATURES:

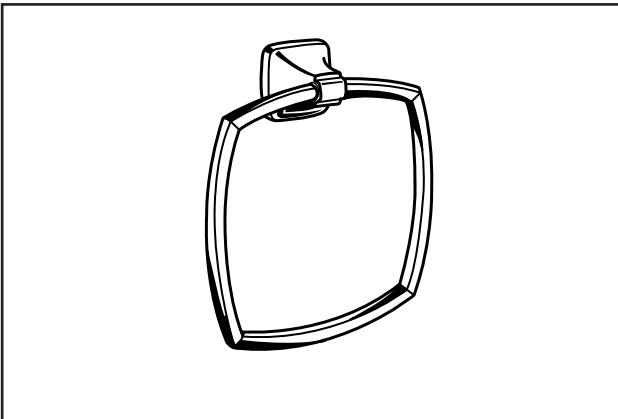
Materials of Construction: Metal construction for durability & long life. Brass rod.

Concealed Mounting: No exposed set screws.

Easy to Install

SUGGESTED SPECIFICATION

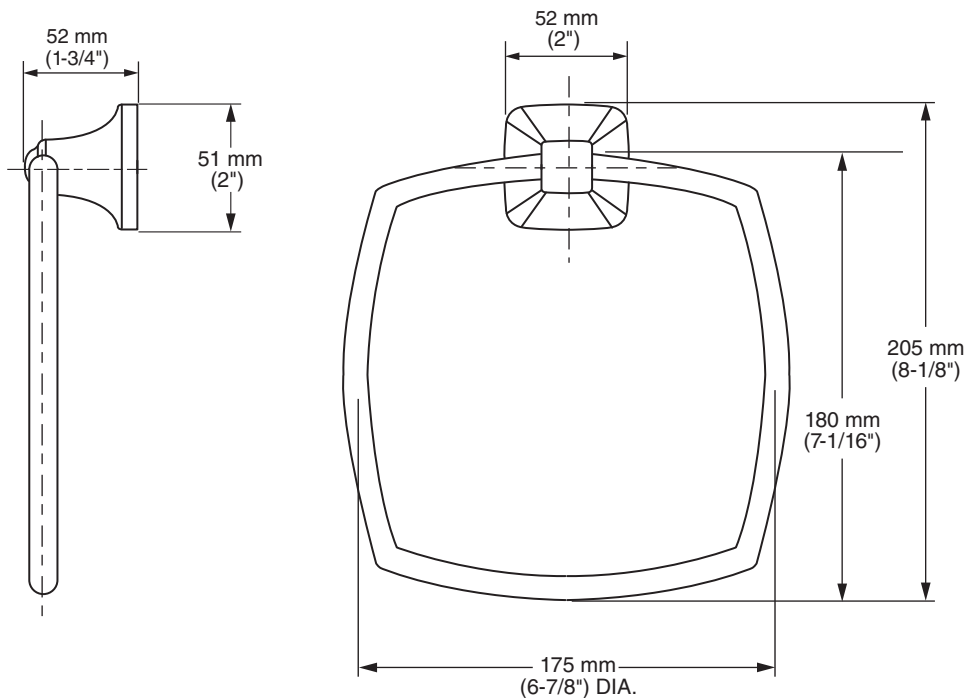
18" and 24" Towel Bar shall feature metal construction. Rod shall be brass. Shall feature concealed mounting with no exposed set screws. Towel Bar shall be American Standard Model # 7353.



MODEL NUMBER:
□ 7353.190 - Towel Ring

Available Finishes

002	Polished Chrome
013	PVD Polished Nickel
278	Legacy Bronze
295	PVD Satin Nickel



PRODUCT FEATURES:

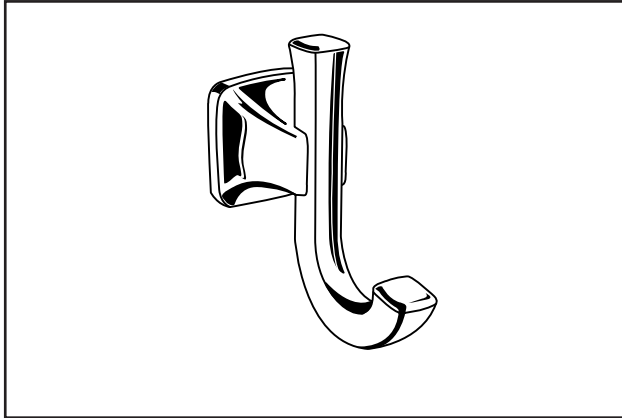
Materials of Construction: Metal construction for durability & long life. Bushing on towel ring to prevent scratching and squeaking

Concealed Mounting: No exposed set screws.

Easy to Install

SUGGESTED SPECIFICATION

Towel Ring shall feature metal construction. Shall feature concealed mounting with no exposed set screws. Towel Ring shall be American Standard Model # 7353.190.

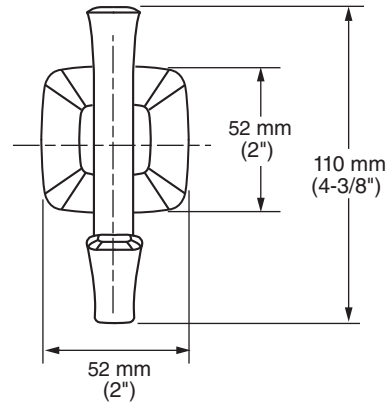
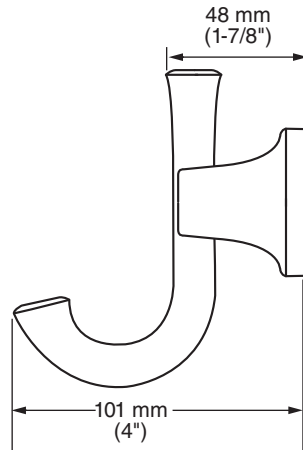


MODEL NUMBER:

□ 7353.210 - ROBE HOOK

Available Finishes

002	Polished Chrome
013	PVD Polished Nickel
278	Legacy Bronze
295	PVD Satin Nickel



PRODUCT FEATURES:

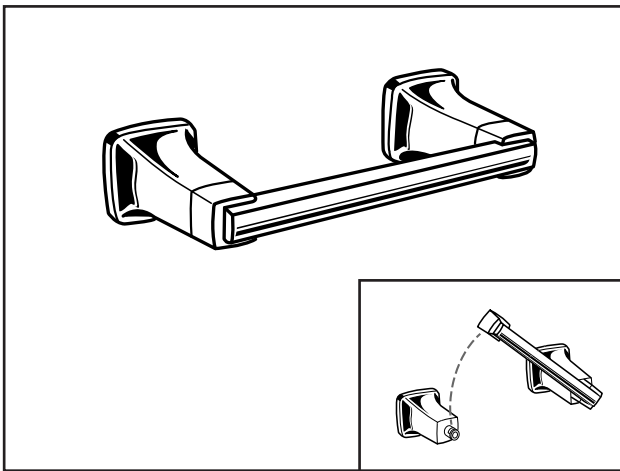
Materials of Construction: Metal construction for durability & long life.

Concealed Mounting: No exposed set screws.

Easy to Install

SUGGESTED SPECIFICATION

Robe Hook shall feature metal construction. Shall feature concealed mounting with no exposed set screws. Robe Hook shall be American Standard Model # 7353.210.____.

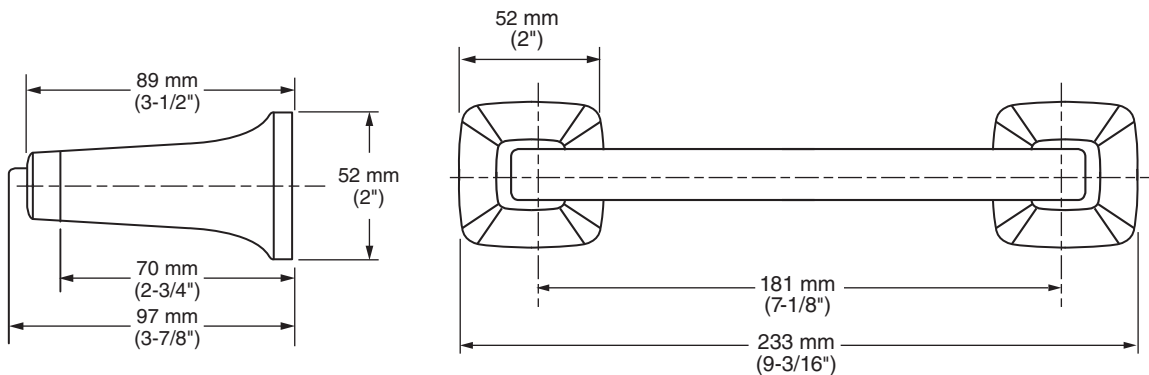


MODEL NUMBER:

□ 7353.230 - Pivoting Toilet Paper Holder

Available Finishes

002	Polished Chrome
013	PVD Polished Nickel
278	Legacy Bronze
295	PVD Satin Nickel



PRODUCT FEATURES:

Materials of Construction: Metal construction for durability & long life.

Concealed Mounting: No exposed set screws.

Easy to Install

Easy to Use: Pivoting toilet paper bar for quick and easy replacement .

SUGGESTED SPECIFICATION

Toilet Paper Holder shall feature metal construction. Shall feature concealed mounting with no exposed set screws. Toilet Paper Holder bar shall pivot. Toilet Paper Holder shall be American Standard Model # 7353.230._____.