

COLONY™ FitRight™ RIGHT HEIGHT™
ELONGATED 12" ROUGH-IN TOILET

- 2437.012**
 - Vitreous china
 - Low-consumption (6.0 Lpf/1.6 gpf)
 - 16-1/2" rim height for accessible applications
 - Elongated siphon action jetted bowl
 - Pilot valve water control
 - Fully glazed 2" trapway
 - 2" Flapper flush valve
 - Color-matched trip lever
 - Sanitary bar on bowl
 - 2 bolt caps
 - 100% factory flush tested

3191.016 Bowl

4003.016 Tank



Nominal Dimensions:

724 x 457 x 778mm
(28-1/2" x 18" x 30-5/8")

Fixture only, seat and supply by others

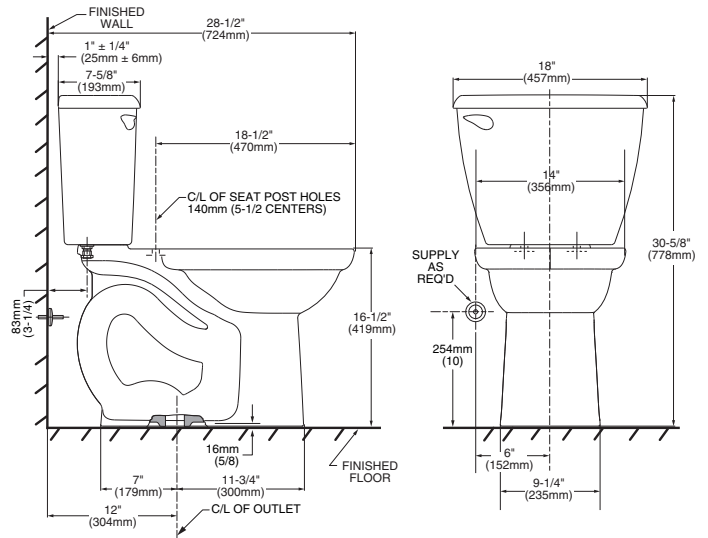
Alternate Tank Configurations Available:

- 4003.500** Tank complete with Aquaguard Liner
- 4003.800** Tank complete with trip lever located on right side

Compliance Certifications -

Meets or Exceeds the Following Specifications:

- ASME A112.19.2M for Vitreous China Fixtures - includes Flush Performance, Ball Pass Diameter, Trap Seal Depth and all Dimensions
- Los Angeles Department of Water and Power Supplementary Purchase Specification for Non-Adjustability



To Be Specified:

- Color: White:
- Seat: American Standard #5324.019 "Rise and Shine" solid plastic closed front seat with cover.
- Seat: American Standard #5311.012 "Laurel" molded closed front seat with cover.
- Alternate Seat:
- Supply with stop:

NOTES:

THIS COMBINATION IS DESIGNED TO ROUGH-IN AT A MINIMUM DIMENSION OF 305MM (12") FROM FINISHED WALL TO C/L OF OUTLET.

* DIMENSION SHOWN FOR LOCATION OF SUPPLY IS SUGGESTED. SUPPLY NOT INCLUDED WITH FIXTURE AND MUST BE ORDERED SEPARATELY.

IMPORTANT: Dimensions of fixtures are nominal and may vary within the range of tolerance established by ANSI Standard A112.19.2. These measurements are subject to change or cancellation. No responsibility is assumed for use of superseded or voided pages.



MEETS THE AMERICANS WITH DISABILITIES ACT GUIDELINES AND ANSI A117.1 REQUIREMENTS FOR ACCESSIBLE AND USABLE BUILDING FACILITIES-CHECK LOCAL CODES.