

INSTALLATION INSTRUCTIONS

CARE AND MAINTENANCE

CAST IRON KITCHEN SINKS

Countertop or Under Mount Sink



Thank you for selecting American Standard - the benchmark of fine quality for over 140 years. To ensure this product is installed properly, please read these instructions carefully before you begin. (Certain installations may require professional help.) Also be sure your installation conforms to local codes.

⚠ CAUTION: PRODUCT IS FRAGILE. TO AVOID BREAKAGE AND POSSIBLE INJURY HANDLE WITH CARE!
NOTE: Pictures may not exactly define contour of components.

⚠ CAUTION: RISK OF PERSONAL INJURY OR PRODUCT DAMAGE.
NOTE: Cast iron sinks are very heavy. Get help lifting the sink into place.

Before installing the sink, inspect it for damage. DO NOT install a damaged unit. Notify your American Standard distributor of any damage. Return sink in original packing.

OBSERVE LOCAL PLUMBING AND BUILDING CODES

RECOMMENDED TOOLS AND MATERIALS



Electric Drill



Channel Locks



Adjustable Wrench



Tape Measure



Phillips Screwdriver



Regular Screwdriver



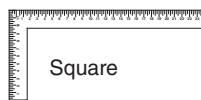
Pipe Wrench



Tubing Cutter



Sealant



Square



Saber Saw



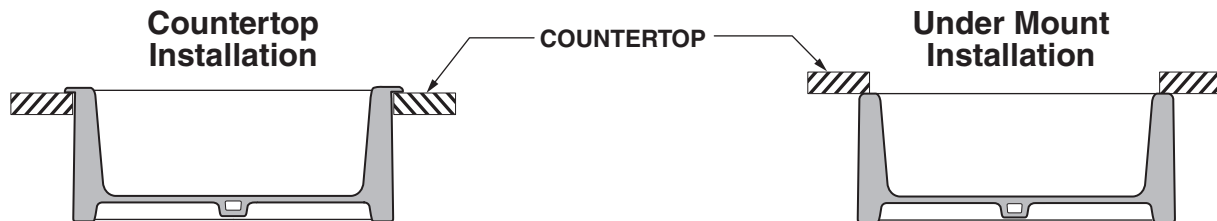
Hacksaw



Level

MOUNTING OPTIONS

Sink can accommodate any standard 3-1/2" (89 mm) sink outlet drain.



REPLACEMENT USE

When replacing an original unit be sure to shut off water supply before removing the sink or disconnecting water supply lines and drain fittings. Original supplies and shutoff valves should be replaced on installation.

INSTALLATION PROCEDURES

Typical installation includes cabinet support preparation, installation of faucet, connection of flexible water supply lines, attachment of sink to cabinet, sizing and installation of drain, supplies to house water system.

Sink Mounting Provisions – Whether the sink is used for replacement or new installation, the cabinet area beneath the sink must be reinforced to provide sufficient support. Cast Iron Sinks are very heavy and the structure built to support the sink must be able to **support a minimum of 350 pounds**. Also the cabinet and frame shown in the instructions are generic and may not represent the actual design or structure.

CABINET SUPPORT PREPARATION

Important Note: It is recommended that the installation be performed by a professional and shall be in accordance with all local plumbing and building code requirements.

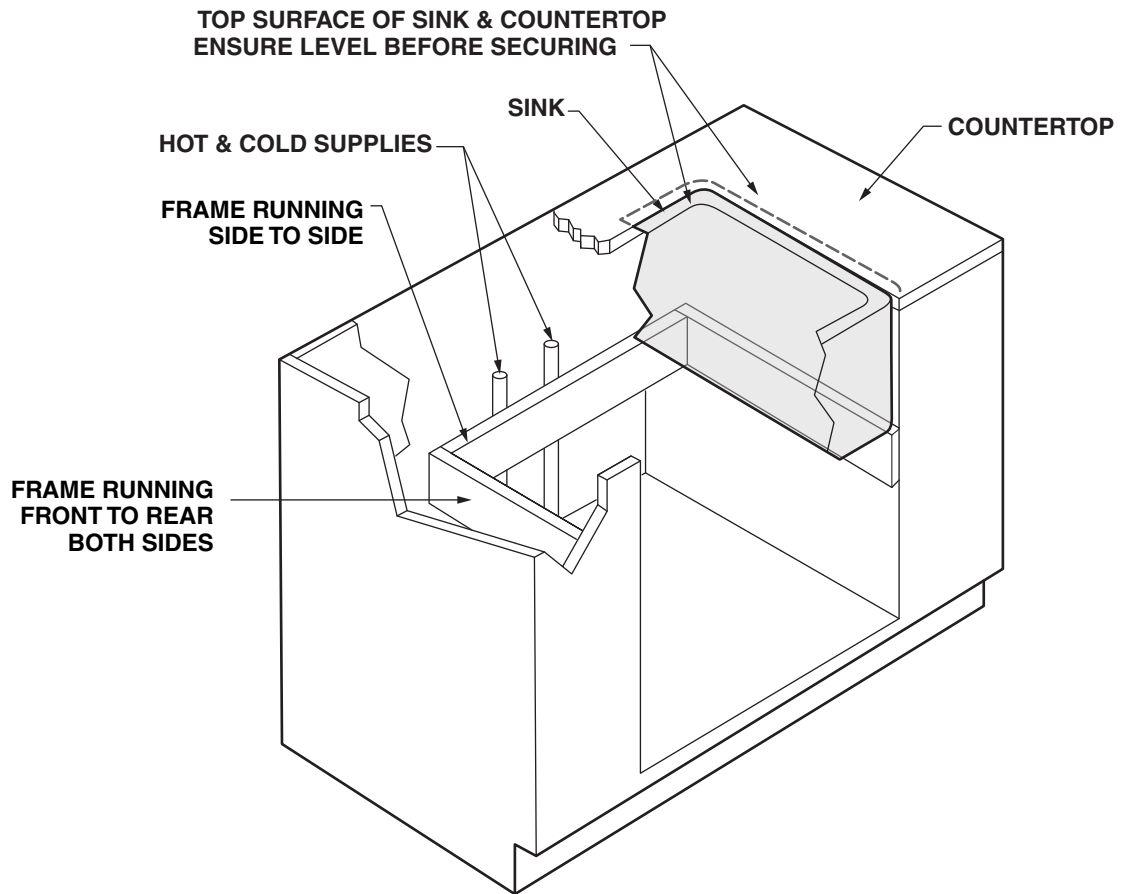
SAVE FOR FUTURE USE

COUNTERTOP or UNDER MOUNT INSTALLATIONS

1 DETERMINE MOUNTING OPTIONS

Determine if the sink will be countertop or under counter mounted. **Next measure the actual size of the sink being installed to determine cabinet opening dimensions and support frame location.** The cabinet opening should equal the maximum dimensions of the sink to ensure a minimum gap between the sink and the cabinet. Support frame location is determined by type of sink installation being performed.

COUNTERTOP MOUNT INSTALLATION (SHOWN)



2 SUPPORT FRAME

Construct a support frame to fit inside the cabinet opening. **Provide a frame support that can support a minimum of 350 pounds.** Ensure you provide proper clearance for faucet, water supply lines, drain assembly, garbage disposal mounting system and the structural parts of the cabinet.

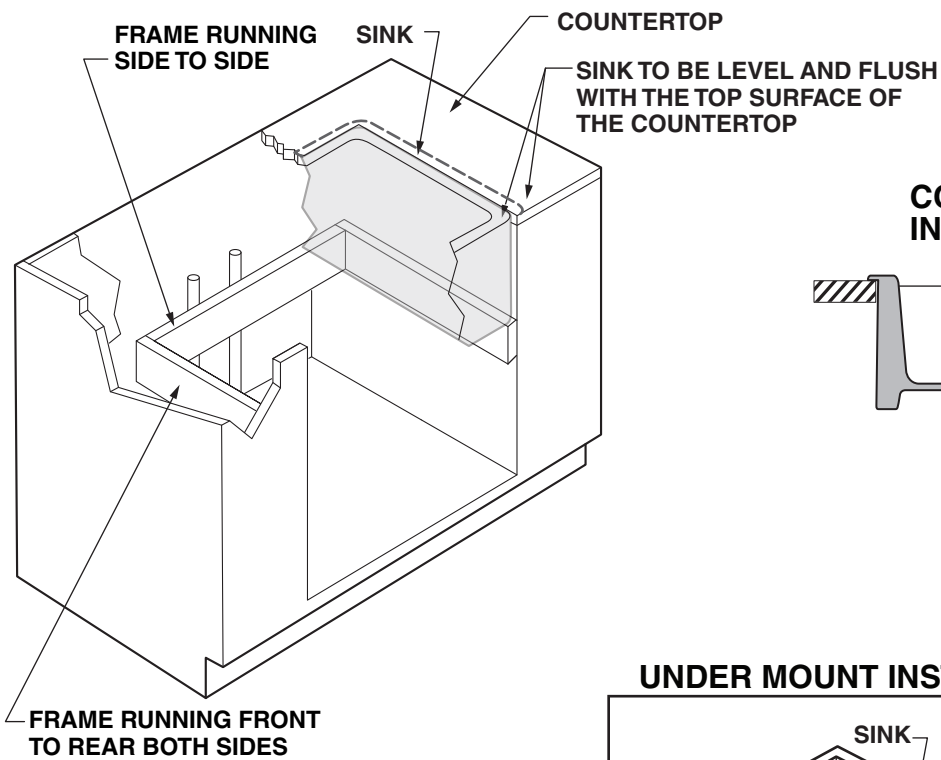
Countertop Installation Note:

Ensure to install the support frame so that the bottom/underside rim of the sink, (when placed within the frame), will be level and flush with the top surface of the countertop, (when countertop is installed). See diagram **2A** below. **Sink weight should mainly be supported by the "Support Frame" not the counter top.**

Under Mount Installation Note:

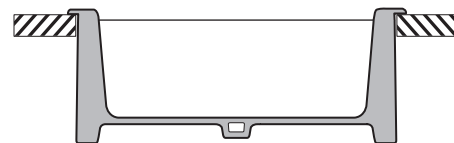
Ensure to install the support frame so that the top rim of the sink (when placed within the frame) is level and flush with top surface of the cabinet. (Top of sink rim must be flush and level with top of cabinet in order to obtain proper contact with the underside of the countertop). See diagram **2B** below.

COUNTERTOP INSTALLATION



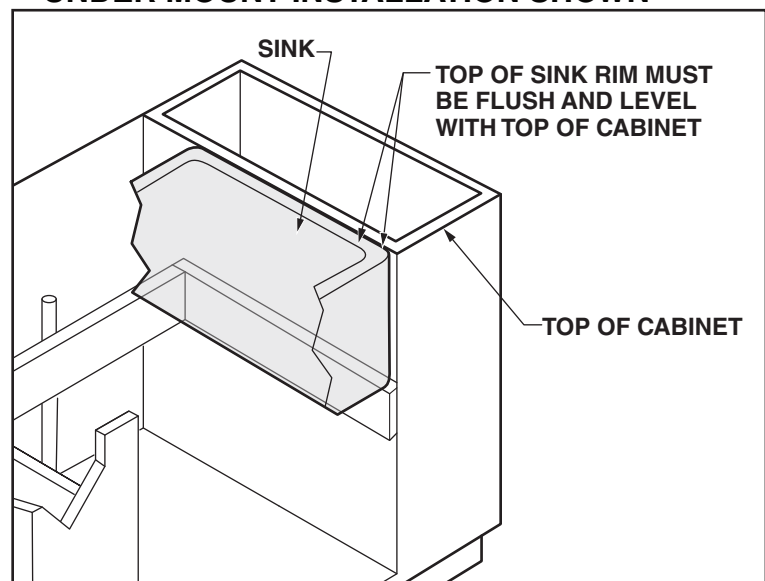
2A

COUNTERTOP INSTALLATION



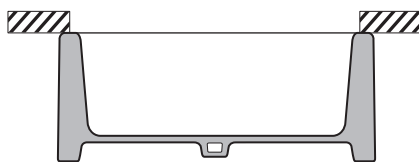
FRONT VIEW

UNDER MOUNT INSTALLATION SHOWN



2B

UNDER-MOUNT INSTALLATION



FRONT VIEW

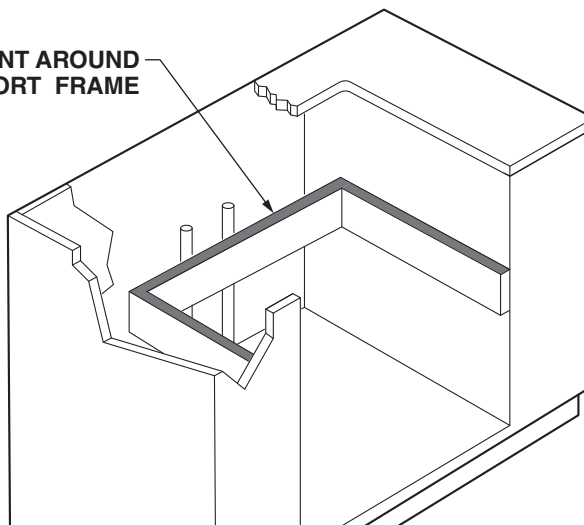
3 SINK INSTALLATION

CAUTION: Sink is heavy. For personal safety, use extra person for assistance with installation.

STEP 1. Carefully set the sink within the support frame and position in center of cabinet opening. If Countertop mounted ensure that the sink bottom/underside rim surface is level and flush with the countertop top surface, (when countertop is installed - reference **Countertop Installation and 2A**). If under mounted ensure that the sink top rim is level and flush with cabinet top surface. Check clearance around sink apron and ensure sink is centered within cabinet opening. Ensure sink base is making proper contact with support frame. Adjust or shim as needed to obtain proper sink position and fit. (Reference **Under Mount Installation and 2B**.)

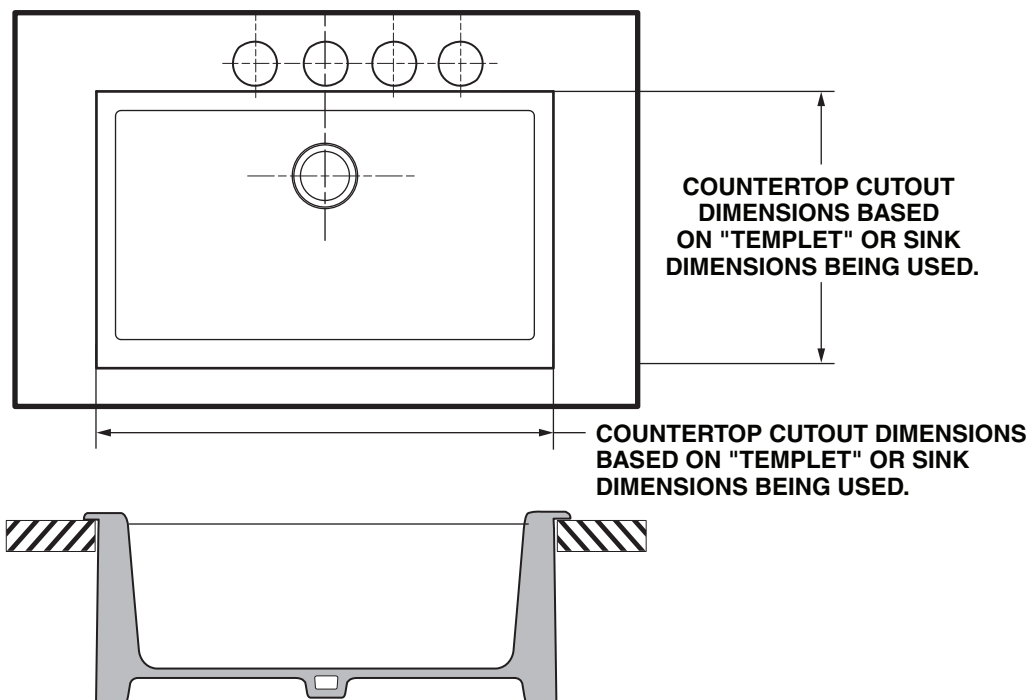
STEP 2. For Under Mount Installation: Carefully remove sink and place a thin layer of sealant around top edge of support frame where the sink and frame will make contact. Then replace sink back into position. See diagram below.

PLACE A THIN LAYER OF SEALANT AROUND
TOP EDGE OF SUPPORT FRAME



4a Installing Countertop - Countertop Mount Installation

Make sure there are no obstructions such as cabinets, plumbing, etc. below or above the counter top. Countertop mount cutout opening is determined from the actual sink size or provided template. Place template on countertop checking to make sure the sink will line up correctly with plumbing. Depending upon the material used for the counter top, drill a hole on the inside of template, then cut along template using a suitable saw for material being used. **Note: Check the countertop cutout opening by placing the sink in the opening to be sure it is sized correctly. The rim of the sink must be seated uniformly on the countertop and the bottom of the sink should be sitting on the support frame to ensure the corners of the sink seat properly.**



4b Installing Countertop - Countertop Mount Installation (Continued)

Carefully position and install the countertop over the cabinet ensuring sink opening in countertop correctly aligns over the Support Frame.

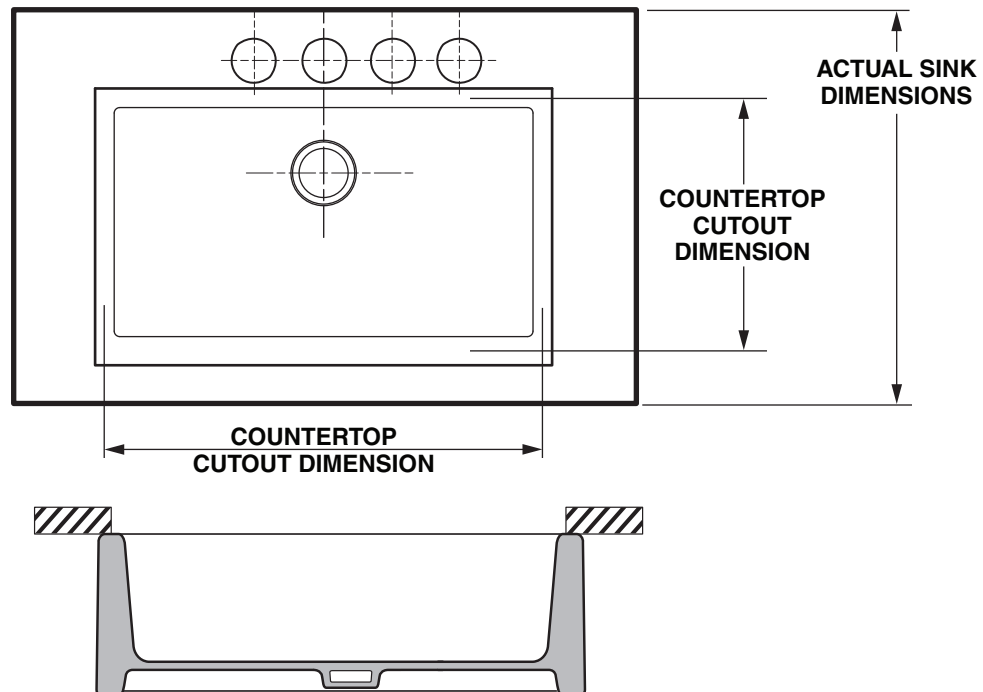
Note: Place sink back into countertop opening and check sink position over support frame and countertop.

Carefully remove sink from cabinet and apply a thin layer of sealant around the top edge of support frame. (ref 3, step 2) and around top edge of counter top opening. Place sink back into place. Wipe any sealant that may come out from around edge of sink.

5 Installing Countertop - Under Mount Installation

Under mount countertop opening is determined by the cutout template or sink being used. Carefully cut out the countertop opening, opening must be adequately finished and sealed to prevent damage from water absorption.

Note: Physically verify dimensions of the sink being installed to use as a reference or use the provided templet.

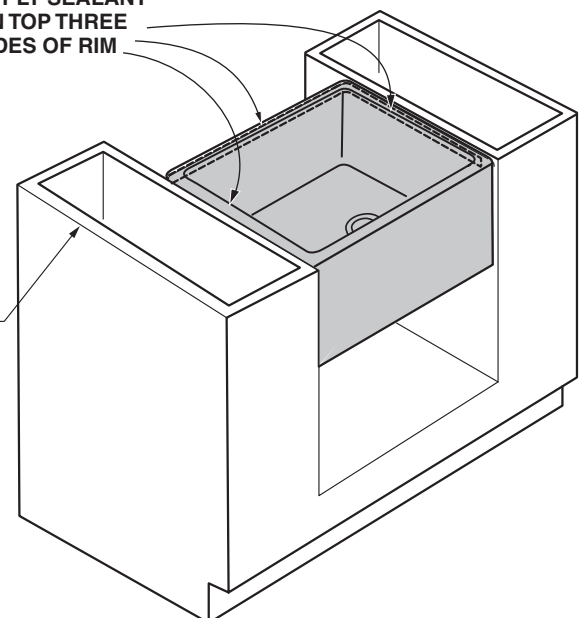
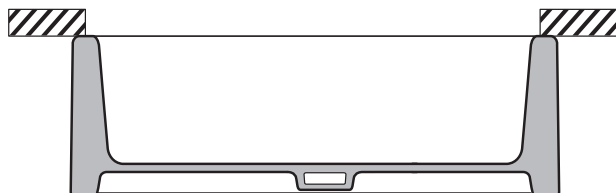


5a APPLY SEALANT

For Under Mount Sinks: Carefully wipe clean the sink apron and top rim free from all debris. Ensure that the surface on underside of countertop cutout opening is smooth and free of debris. Under mount installation requires a generous bead of sealant around the sink top rim where sink and countertop underside will make contact.

APPLY SEALANT
ON TOP THREE
SIDES OF RIM

TOP OF CABINET

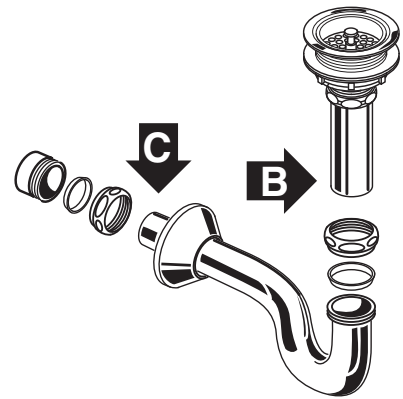


6 INSTALL COUNTERTOP

Carefully position and install the countertop. Ensure the sealant provides a complete seal between the sink and the countertop surface. Fill any voids and wipe excess away with soft damp cloth.

7 ASSEMBLE AND INSTALL P-TRAP AND DRAIN CONNECTIONS (both not included)

Assemble and install P-trap drain connections in accordance with manufacturer's instructions. Connect trap to drain assembly hand tight to check alignment. It may be necessary to cut off part of the tailpiece (area "B") or part of the horizontal leg of the trap (area "C"). Secure joints for watertight assembly.



8 INSTALL FAUCET (not included)

Carefully locate and install faucet to countertop in accordance with manufacturer's instructions. Ensure you provide adequate clearance for supply lines and faucet operation.

Connect supply lines to shutoff valves. Turn on water supply valves and water-test installation.

CARE & CLEANING TIPS ON AMERICAN STANDARD ENAMELED CAST IRON PRODUCTS

American Standard brand cast iron is extremely durable, although care must be taken when handling and cleaning. For example, dropping a cast iron sink several inches from a cement floor can result in damage which will fracture the enamel surface. This damage usually manifests itself in the form of chips, shatters, or spiderweb cracks known as "crazing."

The first action to maintain the surface and appearance of any cast iron fixture is to thoroughly rinse with plenty of water and dry the fixture after each use. Hard or soft water deposits may be a problem if left to accumulate and crystallize. A buildup of these minerals may make the surface of the fixture appear dull. We recommend common household cleansers, a soft cloth or nylon pad, and a light scouring to remove mineral deposits. Rinse thoroughly with plenty of water and dry when complete.

Blemishes such as stains or surface specks may be removed with common household cleansers. Before using any household cleaner, read (and then follow) the instructions printed by the cleaner manufacturer. Cleansers containing oxalic acid such as ZUD® and BARKEEPERS FRIEND® can be used occasionally when the label instructions are read and followed.

IMPORTANT! Use of cleaners containing Hydrofluoric Acid will destroy the surface of the fixture and will void the warranty. Use of cleaners containing Sodium Hypochlorite and bleach should not be used, because over time these cleaners will etch the surface of enameled cast iron products. Use of cleaners containing these chemicals will void the warranty.

To remove silver-wire or aluminum marks left from pots and pans, cans that contained food or beverages, or other marks from metal, we recommend a sprinkling of cleanser and a few drops of water be applied to the surface to make a paste. Leave the paste undisturbed for no longer than ONE minute, then scrub lightly with a soft cloth. The treatment may need to be reapplied. Rinse thoroughly with plenty of water and dry when complete.

AS AMERICA, INC. LIMITED LIFETIME WARRANTY FOR CAST IRON KITCHEN SINKS

If an AS America, Inc. ("American Standard") cast iron kitchen sink is found to be defective in materials or workmanship, after inspection by an authorized American Standard representative, American Standard will repair or, at its option, exchange the product for a similar model. This limited warranty is applicable under normal personal residential use, so long as it remains in use in its original place of installation.

This limited warranty applies only to the original purchaser and installation of these products. This warranty is non-transferable to subsequent purchasers or owners. The sole exception to the non-transferability of this warranty is that if this product is purchased by a plumber, contractor or other service provider, this warranty extends to the first owner on whose behalf the product was purchased for installation. This warranty applies only to sinks installed in the United States of America, Canada or Mexico. In the event of a limited warranty claim, proof of purchase will be required—save sales receipt and other product identifying information.

The limited lifetime warranty does not apply to commercial installations. Commercial use is defined as installations in apartments and other rental units, non-residential facilities, hotels, commercial businesses and/or other public accommodations. The warranty for commercial installations is three (3) years under normal use, and is otherwise subject to all the same exclusions and limitations identified herein.

This limited warranty does not apply to local building code compliance. Since local building codes vary considerably, the purchaser of this product should check with a local building or plumbing contractor to assure local code compliance before installation.

This limited warranty is void if the cast iron kitchen sink has been moved from its initial place of installation; if it has been subjected to faulty maintenance, abuse, misuse, accident or other damage; if it was not installed in accordance with American Standard's instructions; or if it was modified in a manner inconsistent with the product as shipped by American Standard.

American Standard's option to repair or exchange the product under this limited warranty does not cover any labor or other costs of removal or installation.

TO THE EXTENT PERMITTED BY LAW, THIS WARRANTY IS EXCLUSIVE AND IN LIEU OF ALL OTHER WARRANTIES, WHETHER ORAL OR WRITTEN, STATUTORY, EXPRESS OR IMPLIED. AMERICAN STANDARD HEREBY EXCLUDES SPECIAL, INCIDENTAL AND CONSEQUENTIAL DAMAGES FOR ANY BREACH OF ANY EXPRESS OR IMPLIED WARRANTY APPLICABLE TO THIS PRODUCT.

Some states do not allow the exclusion or limitation of incidental or consequential damages, so the above limitations and exclusions may not apply to you. This warranty gives you specific legal rights, and you may also have other rights which vary from state to state (or province, as applicable).

OBTAINING WARRANTY SERVICE

If you believe that you have a warranty claim, contact American Standard, either through an authorized AS America, Inc. dealer or re-seller, or by writing:

In the United States:

American Standard Brands
1 Centennial Ave.
Piscataway, New Jersey 08854
Attention: Director of Customer Care
For residents of the United States, warranty information may also be obtained by calling the following toll free number: (800) 442-1902
www.americanstandard.com

In Canada:

AS CANADA ULC
5900 Avebury Rd.
Mississauga, Ontario
Canada L5R 3M3
Toll Free: (800) 387-0369
www.americanstandard.ca

In Mexico:

American Standard B&K Mexico
S. de R.L. de C.V.
Via Morelos #330
Col. Santa Clara
Ecatepec 55540 Edo. Mexico
Toll Free: 01-800-839-1200
www.americanstandard.com.mx

Please be sure to provide all pertinent information regarding your claim, including a complete description of the problem, the product, model number, color, finish, purchase date, and from whom the product was purchased.