

**Studio® 60" x 32" Bathing Pool**  
**Above Floor Rough With Built-In Apron**

- 2574102 BATHING POOL**  
Right Drain
- 2574202 BATHING POOL**  
Left Drain

**Product Features:**

- Above floor rough installation
- High-gloss acrylic with fiberglass reinforcement
- Integral apron with clean, minimalist design
- Integral three-sided, 1" tiling/water retention flange helps prevent water seepage
- For recess installation
- Pre-leveled tub bottom for easier installation
- Integral lumbar support provides extra comfort
- Spaciously designed to provide maximum bathing space with a wide and deep bathing well
- A textured floor helps to improve safety
- Limited Lifetime warranty

**Nominal Dimensions:**

60" x 32" x 18"  
(1524 x 813 x 457mm)

**For use with:**

- 2946.BW Studio Bath Wall Set  
(011 Arctic White Only)
- Bathing Pool can also be installed without Studio® wall set

**Compliance Certifications -  
Meets or Exceeds the Following Specifications:**

- CSA B45.5-11 / IAPMO Z124-2011
- cUPC



**Studio Bathing Pool shown with  
2946.BW Studio wall set**

**To Be Specified - Required**

- Color:
  - 020 White
  - 011 Arctic White
- Bath Faucet\*:
- Faucet Finish:
- Drain\*:
- Drain Finish:

**To Be Specified - Optional**

- Studio Bath Walls: 2946BW

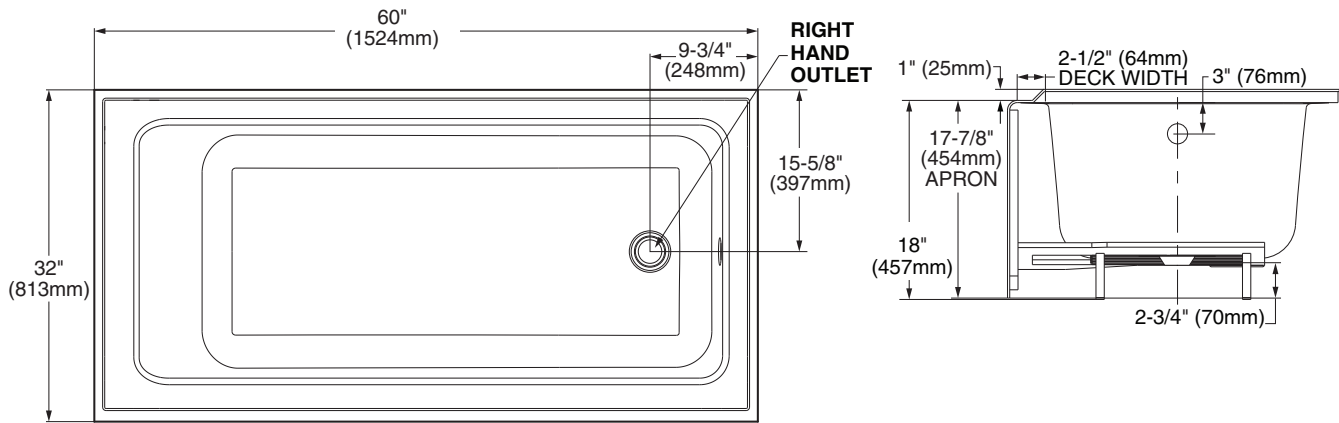
\*See American Standard faucet and drain section of Product Selector

SEE REVERSE FOR ROUGHING-IN DIMENSIONS  
AND PRODUCT SPECIFICATIONS

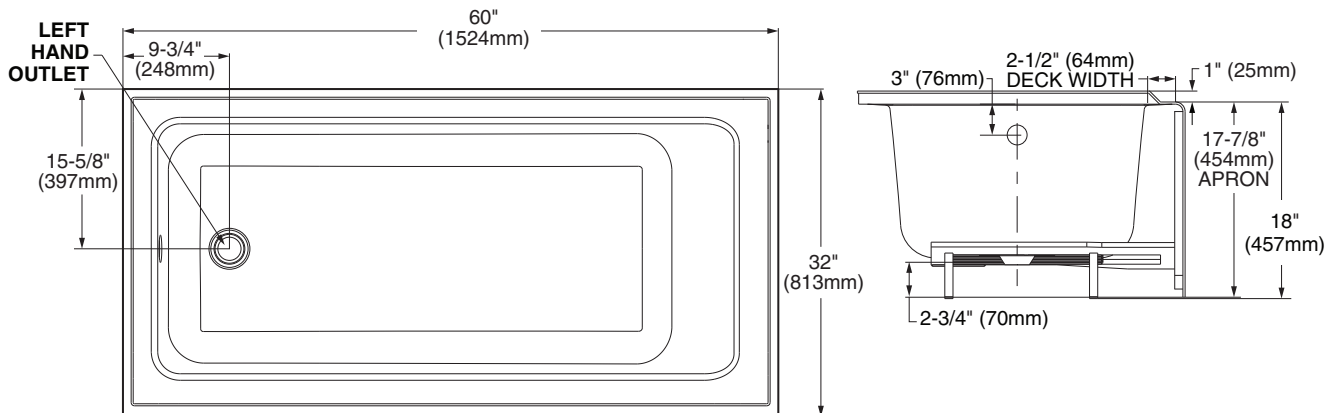


MEETS THE AMERICANS WITH DISABILITIES ACT GUIDELINES  
AND ANSI A117.1 REQUIREMENTS FOR ACCESSIBLE AND  
USEABLE BUILDING FACILITIES-CHECK LOCAL CODES.  
INSTALL WITH SEAT AT HEAD END.

**2574102 Right Drain**



**2574202 Left Drain**



<b>GENERAL SPECIFICATIONS FOR 2574102/202 TUB</b>	
INSTALLED SIZE	60 x 32 x 18 In. (1524 x 813 x 457mm)
WEIGHT	60 Lbs. (27 Kg)
WEIGHT w/WATER	365 Lbs. (166 Kg)
GAL. TO OVERFLOW	44 Gal. (166 L)
BATHING WELL AT SUMP	22 x 44-1/2 In. (559 x 1130mm)
BATHING WELL AT RIM	25 x 53 In. (635 x 1346mm)
WATER DEPTH TO OVERFLOW	10-13/16 In. (274mm)
FLOOR LOADING	29 Lbs./Sq.Ft. (134 Kgs/Sq.m)
(PROJECTED AREA)	
PTS.	14.1
CUBE (FT <sup>3</sup> )	28.0

**NOTES:**

- BATH TO BE INSTALLED ABOVE FLOOR LINE AS A RECESS INSTALLATION.
- REFER TO INSTALLATION INSTRUCTIONS SUPPLIED WITH TUB FOR ADDITIONAL INFORMATION.
- FITTINGS NOT INCLUDED AND MUST BE ORDERED SEPARATELY.
- PROVIDE SUITABLE REINFORCEMENT FOR ALL SUPPORTS.
- MOUNTING HOLES DRILLED BY INSTALLER.

**IMPORTANT:** Dimensions of fixtures are nominal and may vary within the range of tolerances established by ANSI Standard CSA B45.5-11/IAPMO Z124. These measurements are subject to change or cancellation. No responsibility is assumed for use of superseded or voided pages.