

**Edgewater® 25" x 22" ADA Single Bowl
Stainless Steel Kitchen Sink**

18SB6252211.075

- Fabricated Single Bowl Stainless Steel kitchen sink
- 18 Gauge Stainless Steel
- 6" depth with offset drain
- Zero radius corners
- Dual mount (top or under) installation
- Single hole
- Features SoundSecure+™ Sound Pads
- Features StoneLock™ Undercoating
- 29" (737mm) cabinet required
- Includes:
 - 7302289-401.0750A Bottom Grid
 - 9028000.075 Waste Fitting
 - 791637-100.0070A Top Mount Sink Clips
 - 791676-100.0070A Undermount Sink Clips
 - Cutout template
 - Installation Instructions
- Limited Lifetime Warranty



Nominal Dimensions:

25" x 22" x 6"
(635 x 559 x 152mm)

Bowl Size:

22-1/4" (565mm) wide
16-9/16" (420mm) front to back
6" (152mm) deep

SEE REVERSE FOR ROUGHING-IN DIMENSIONS
AND PRODUCT SPECIFICATIONS

**Compliance Certifications - Meets or
Exceeds the Following Specifications:**

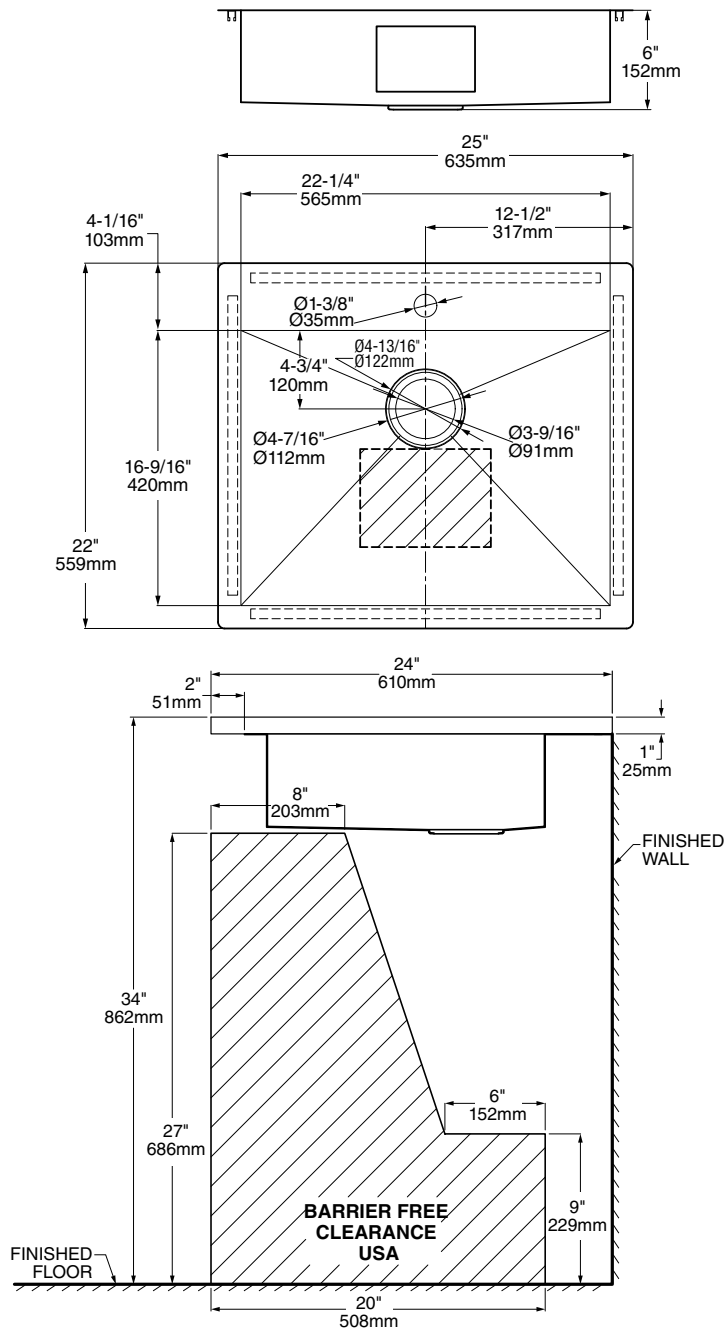
- ASME A112.19.3

To Be Specified:

- Color: Stainless Steel .075



Meets the American Disabilities Act Guidelines and ANSI A117.1
Requirements for the physically challenged.



To ensure ADA compliance:

- Counter top thickness not to exceed 1" (25mm) thick and surface mounted 34" (863mm) above the finished floor.
- Product to be installed according to installation instructions, diagrams and requirements outlined.

NOTES:

* DIMENSIONS SHOWN FOR LOCATION OF SUPPLIES AND "P" TRAP ARE SUGGESTED.
FITTINGS NOT INCLUDED WITH FIXTURE AND MUST BE ORDERED SEPARATELY.
SEALING COMPOUND SUPPLIED BY OTHERS.

IMPORTANT: Dimensions of fixtures are nominal and may vary within the range of tolerances established by ASME A112.19.3 / CSA B45.4. These measurements are subject to change or cancellation. No responsibility is assumed for use of superseded or voided pages.