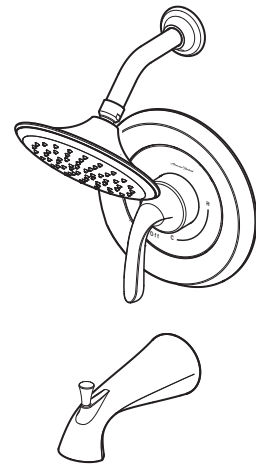


INSTALLATION INSTRUCTIONS

Fluent® Pressure Balancing Bath and Shower Trim Kit

TU186500
TU186501
TU186501XH
TU186502
TU186507
TU186508

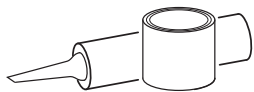


Thank you for selecting American Standard... the benchmark of fine quality for over 140 years.

To ensure that your installation proceeds smoothly-please read these instructions carefully before you begin.

For use with shower heads rated at 4.9 L/min (1.3 gpm) or higher.

RECOMMENDED TOOLS



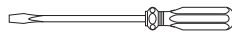
Plumbers' Putty or Caulking



Teflon Tape



Phillips Screwdriver



Flat Blade Screwdriver



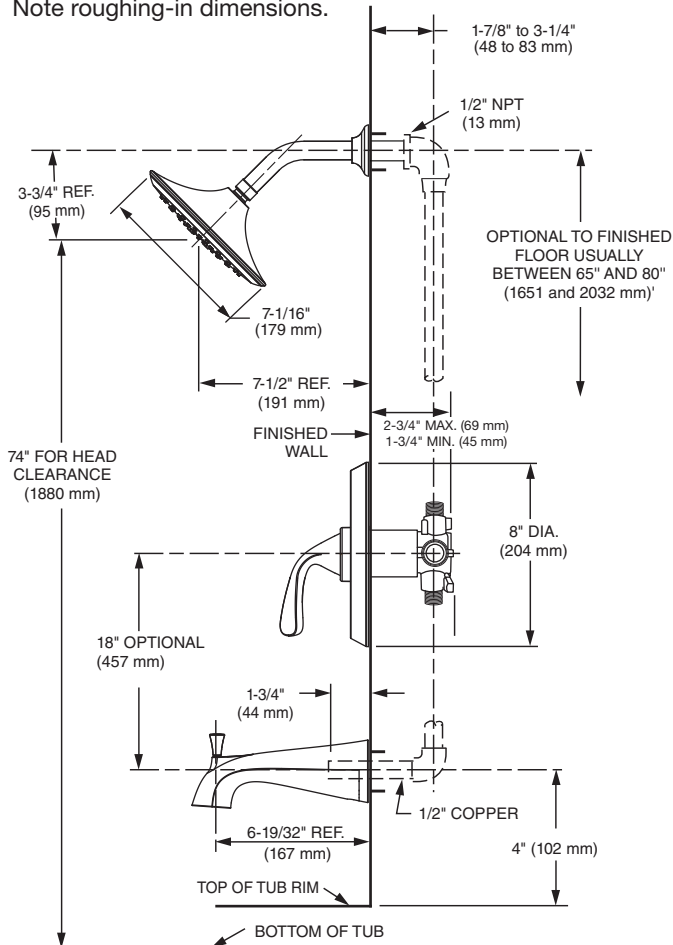
Adjustable Wrench



Channel Locks

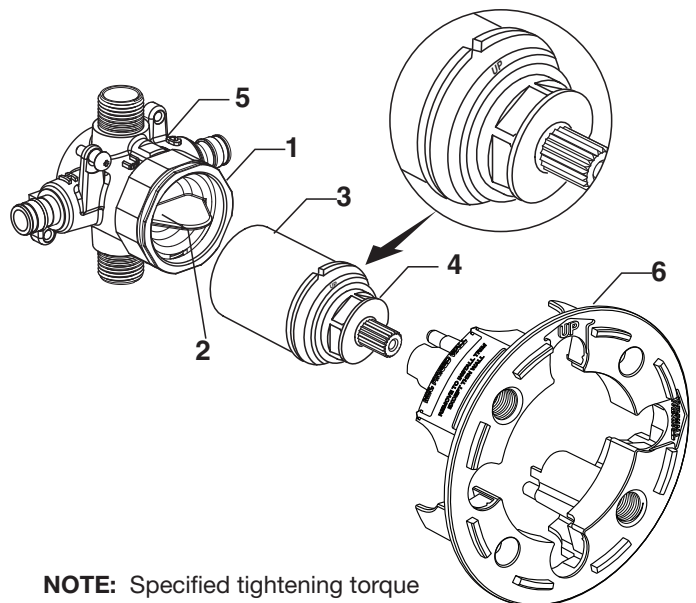
ROUGHING-IN DIMENSIONS

- To assure proper positioning in relation to wall. Note roughing-in dimensions.



1 CARTRIDGE INSTALLATION

- Remove **PLASTER GUARD (6)** (Keep it installed for thin wall Installation).
- Remove **BONNET NUT (1)** by unthreading it Counter clockwise. Remove test **CAP (2)**.
- Remove **PROTECTIVE HOUSING (3)** from **CARTRIDGE (4)**. Install with "UP" text on top.
- Reinstall **BONNET NUT (1)** onto **VALVE BODY (5)** and tighten firmly with 12 Nm or 9 lbs/ft.



NOTE: Specified tightening torque of **BONNET NUT (1)** is critical to assure sealing function.

2 STANDARD WALL INSTALLATION

- **Figure 1.** Remove plaster guard from valve. Push CAP (1) over VALVE CARTRIDGE (2) until seated against stop.
- **Figure 2.** Push ESCUTCHEON (3) onto CAP (1) and attach to valve body with LONG SCREWS (4).

THIN WALL INSTALLATION

- **Figure 1a.** Push CAP (1) over VALVE CARTRIDGE (2) until seated against stop.
- **Figure 2a.** Push ESCUTCHEON (3) onto CAP (1) and attach to valve body with LONG SCREWS (4).

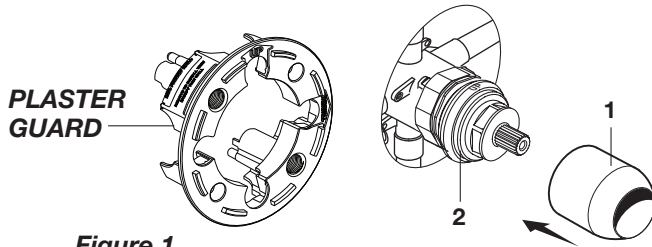


Figure 1.

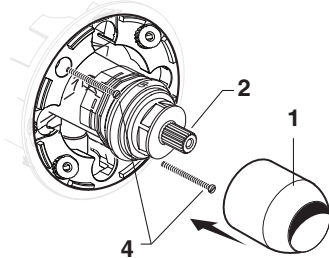


Figure 1a.

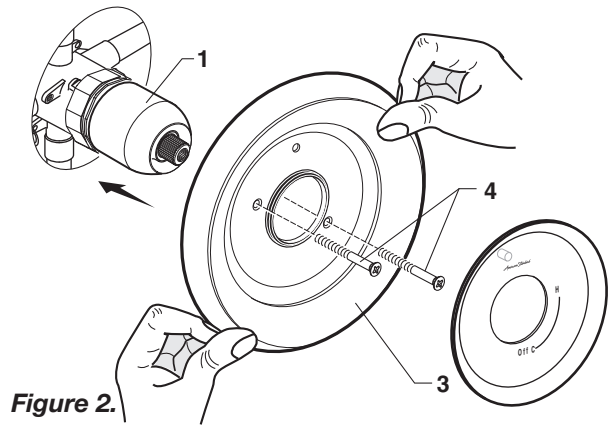


Figure 2.

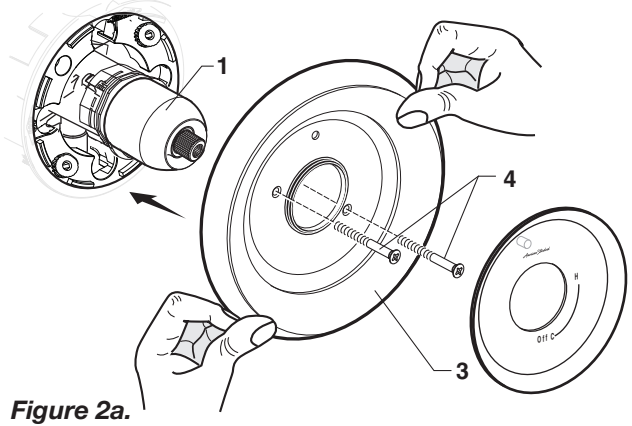


Figure 2a.

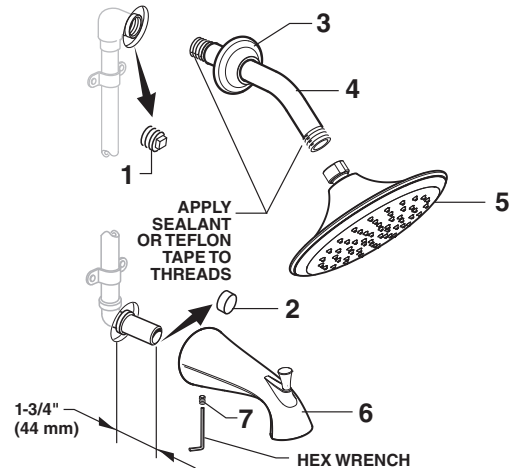
3 INSTALL, TUB SPOUT, SHOWER HEAD, SHOWER ARM WITH FLANGE

CAUTION Protect finish on SHOWER HEAD and TUB SPOUT when installing.

Note: Apply sealant or Teflon Tape to shower arm.

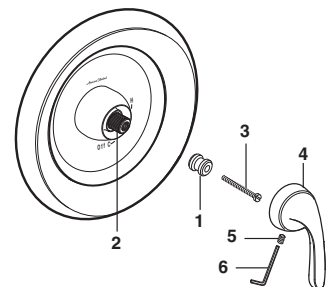
- Remove PIPE PLUG and CAP (1, 2) from shower pipe and tub filler pipe.
- Install SHOWER ESCUTCHEON (3) onto SHOWER ARM (4). Apply sealant or Teflon tape to threads on both ends of SHOWER ARM (4) and thread longer leg of SHOWER ARM (4) into shower elbow. Thread SHOWER HEAD (5) onto SHOWER ARM (4).
- Install SLIP-ON TUB SPOUT (6). Tighten SET SCREW (7) with HEX WRENCH supplied.

Important: Do not overtighten Set Screw.



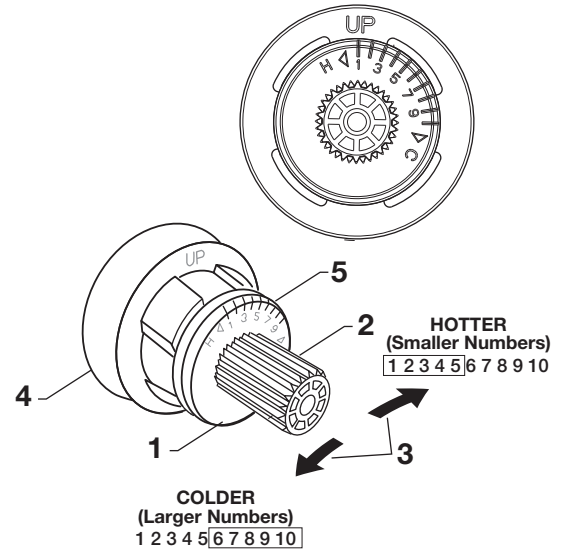
4 INSTALL HANDLE

- Hold ADAPTER (1) onto VALVE STEM (2) and install ADAPTER SCREW (3) through ADAPTER (1) into VALVE STEM (2). Tighten ADAPTER SCREW (3) to secure ADAPTER (1).
- Install HANDLE BASE (4) onto ADAPTER (1). Tighten SET SCREW (5) with HEX WRENCH (6) supplied.



5 ADJUST HOT LIMIT STOP

- By restricting HANDLE rotation and limiting the amount of hot water allowed to mix with the cold, the HOT LIMIT SAFETY STOP (1) reduces risk of accidental scalding. To set the maximum hot water temperature of your faucet valve, adjust the setting on the HOT LIMIT SAFETY STOP (1).
- Turn CARTRIDGE STEM (2) to the OFF position (coldest setting) before making adjustment to HOT LIMIT STOP (1). Pull forward and rotate counterclockwise one number to limit hot water temperature. Use NUMBERS (5) on CARTRIDGE (4) on HOT LIMIT STOP (1) for indication.



6 SERVICE

TO GAIN ACCESS TO VALVE FOR SERVICING

CAUTION Turn off hot and cold water supplies before beginning.

- Remove HANDLE (see step 3 and reverse).
- Remove ESCUTCHEON and CARTRIDGE CAP (see step 1 and reverse).

VALVE LEAKS WHEN SHUT OFF

- Remove CARTRIDGE, see STEP 1 and STEP 2 and REVERSE process.
- Clean SEALS on the side of CARTRIDGE. Clean inside sealing surface of VALVE BODY.
- Re-assemble CARTRIDGE. Install trim. Turn on water supply and check for leaks.

REPLACING CARTRIDGE (FIGURE 1)

- To remove CARTRIDGE (1), install split WASHER (3) between the ridge on the cartridge and the bonnet nut (only supplied with replacement cartridge) as shown.
- Proceed to unthread BONNET NUT (2) counter clockwise.
Note: CARTRIDGE (1) should be pulling out while unthreading BONNET NUT (2).
- Upon removal of the old Cartridge, install a new cartridge and secure it with BONNET NUT (Hand tighten).

BACK TO BACK INSTALLATION (FIGURE 2, 3 & 3A)

- Remove CARTRIDGE (1).
- Remove venturi tube by pushing it out. As shown in FIGURE 3.
- Rotate CARTRIDGE (1) 180° so that the Up text is displayed on the bottom side. As shown in FIGURE 2.
- Reinstall the venturi tube by pushing it in. As shown in FIGURE 3A.
- Insert Cartridge back into the valve.
- Reassemble BONNET NUT (2) and hand tighten.

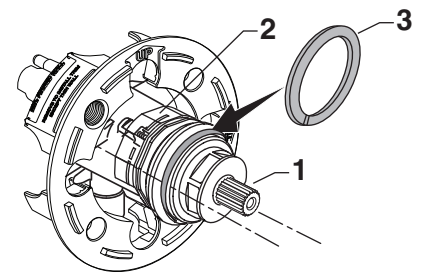


Figure 1.

Standard

Back to Back

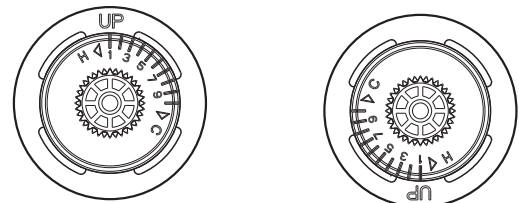


Figure 2.

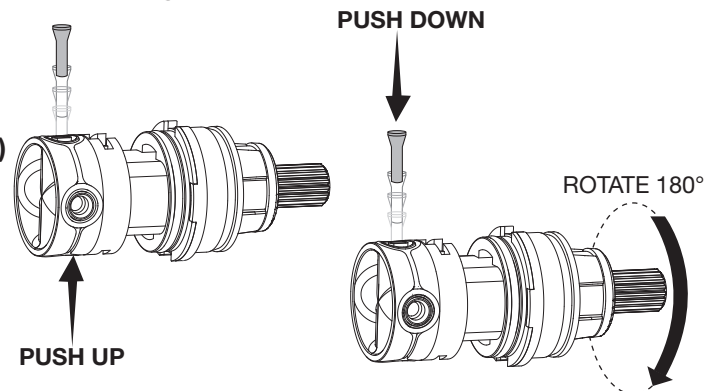


Figure 3.

Figure 3A.

7 CARE INSTRUCTIONS:

DO: SIMPLY RINSE THE PRODUCT CLEAN WITH CLEAR WATER. DRY WITH A SOFT COTTON FLANNEL CLOTH.

DO NOT: DO NOT CLEAN THE PRODUCT WITH SOAPS, ACID, POLISH, ABRASIVES, HARSH CLEANERS, OR A CLOTH WITH A COARSE SURFACE.

American Standard

Fluent®
Pressure Balancing
Bath and Shower
Trim Kit

MODEL NUMBERS

TU186500
TU186501
TU186501XH
TU186501
TU186502
TU186507
TU186508

060337-YYY0A
 SHOWER ARM
 FLANGE

A919542-YYY0A
 SHOWER ARM

1660604.YYY
 SHOWER HEAD - 2.5 GPM

M907050-YYY0A
 ESCUTCHEON CAP

M970410-0070A
 CARTRIDGE

M907813-YYY0A
 ESCUTCHEON KIT

078016-0020A
 ESCUTCHEON SCREWS

1660605.YYY
 SHOWER HEAD - 1.8 GPM

M909349-YYY0A
 DIAL PLATE

M964928-YYY0A
 HANDLE KIT

PURCHASE SEPARATELY

M954805-0070A
 DEEP ROUGH-IN
 KIT

M970457-0070A
 HANDLE ADAPTER KIT

8888009-YYY
 DIVERTER SPOUT (Slip-on)

Replace the "YYY" with
 appropriate finish code

POLISHED CHROME	002
BRUSHED NICKEL	295
LEGACY BRONZE	278

HOT LINE FOR HELP

For toll-free information and answers to your questions, call:
 1 (800) 442-1902

Mon. - Fri. 8:00 a.m. to 8:00 p.m. EST
 Saturday 10:00 a.m. to 4:00 p.m. EST

IN CANADA 1-800-387-0369
 (TORONTO 1-905-306-1093)

Weekdays 8:00 a.m. to 7:00 p.m. EST

IN MEXICO 01-800-839-1200



PART OF **LIXIL**