

CADET™ ELONGATED 10" R TOILET

2898.010

- Vitreous china
- Low-consumption (6.0 Lpf/1.6 gpf)
- 10" roughing-in
- Elongated siphon action jetted bowl
- Fully glazed 2" **Ballpass** trapway
- AquaForce flushing technology
- Large 11" x 9" water surface area
- Close-coupled tank w/raised lip detail on tank cover
- Color-matched trip lever
- Speed Connect™ tank/bowl coupling system
- Sanitary bar on bowl
- 2 bolt caps
- 100% factory flush tested

3459.016 Bowl

4110.016 Tank

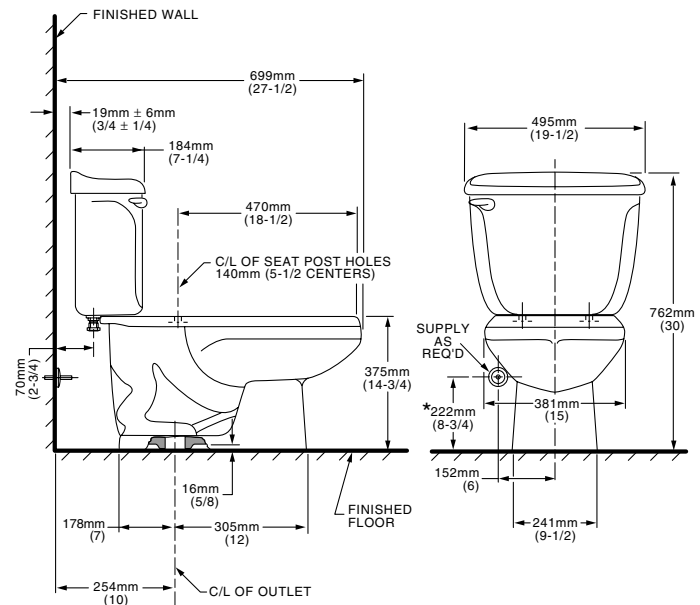
Nominal Dimensions:
699 x 495 x 762mm
(27-1/2" x 19-1/2" x 30")

Fixture only, seat and supply by others

Alternate Tank Configurations Available:

4110.600 Tank complete w/Cover
Locking Device

4110.800 Tank complete w/Trip Lever
Located on Right Side



NOTES:
THIS COMBINATION IS DESIGNED TO ROUGH-IN AT A MINIMUM DIMENSION OF 254MM (10") FROM FINISHED WALL TO C/L OF OUTLET.
* DIMENSION SHOWN FOR LOCATION OF SUPPLY IS SUGGESTED. SUPPLY NOT INCLUDED WITH FIXTURE AND MUST BE ORDERED SEPARATELY.
IMPORTANT: Dimensions of fixtures are nominal and may vary within the range of tolerance established by ANSI Standard A112.19.2
These measurements are subject to change or cancellation. No responsibility is assumed for use of superseded or voided pages.

Compliance Certifications -

Meets or Exceeds the Following Specifications:

- ASME A112.19.2M (and 19.6M) for Vitreous China Fixtures - includes Flush Performance, Ball Pass Diameter, Trap Seal Depth and all Dimensions

To Be Specified

- Color:
- Seat: American Standard #5324.019 "Rise and Shine" (with easy to clean lift-off hinge system) solid plastic closed front seat with cover. See pageTB-001.
- Seat: American Standard #5311.012 "Laurel" molded closed front seat with cover. See pageTB-001.
- Alternate Seat:
- Supply with stop:

CADET™ ELONGATED TOILET

2898.012

- Vitreous china
- Low-consumption (6.0 Lpf/1.6 gpf)
- Elongated siphon action jetted bowl
- Fully glazed 2" **Ballpass** trapway
- AquaForce flushing technology
- Large 11" x 9" water surface area
- Close-coupled tank w/raised lip detail on tank cover
- Color-matched trip lever
- Speed Connect™ tank/bowl coupling system
- Sanitary bar on bowl
- 2 bolt caps
- 100% factory flush tested

3459.016 Bowl

4112.016 Tank

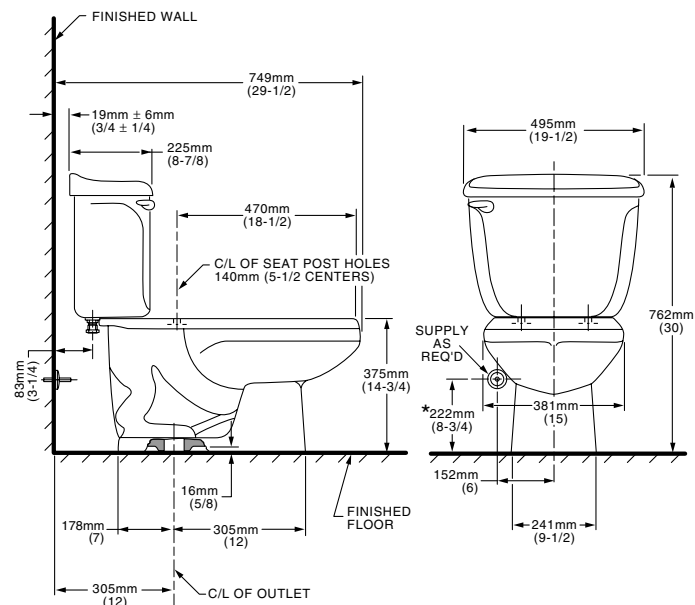
Nominal Dimensions:

749 x 495 x 762mm
(29-1/2" x 19-1/2" x 30")

Fixture only, seat and supply by others

Alternate Tank Configurations Available:

- 4112.500** Tank complete w/Aquaguard Liner
- 4112.600** Tank complete w/Cover Locking Device
- 4112.700** Tank complete w/Aquaguard Liner and Cover Locking Device
- 4112.800** Tank complete w/Trip Lever Located on Right Side



NOTES:

THIS COMBINATION IS DESIGNED TO ROUGH-IN AT A MINIMUM DIMENSION OF 305MM (12") FROM FINISHED WALL TO C/L OF OUTLET.

* DIMENSION SHOWN FOR LOCATION OF SUPPLY IS SUGGESTED.

SUPPLY NOT INCLUDED WITH FIXTURE AND MUST BE ORDERED SEPARATELY.

IMPORTANT: Dimensions of fixtures are nominal and may vary within the range of tolerance established by ANSI Standard A112.19.2

These measurements are subject to change or cancellation. No responsibility is assumed for use of superseded or voided pages.

Compliance Certifications -

Meets or Exceeds the Following Specifications:

- ASME A112.19.2M (and 19.6M) for Vitreous China Fixtures - includes Flush Performance, Ball Pass Diameter, Trap Seal Depth and all Dimensions

To Be Specified

- Color:
- Seat: American Standard #5324.019 "Rise and Shine" (with easy to clean lift-off hinge system) solid plastic closed front seat with cover. See pageTB-001.
- Seat: American Standard #5311.012 "Laurel" molded closed front seat with cover. See pageTB-001.
- Alternate Seat:
- Supply with stop:

CADET™ ELONGATED TOILET

2898.014

- Vitreous china
- Low-consumption (6.0 Lpf/1.6 gpf)
- 14" roughing-in
- Elongated siphon action jetted bowl
- Fully glazed 2" **Ballpass** trapway
- AquaForce flushing technology
- Large 11" x 9" water surface area
- Close-coupled tank w/raised lip detail on tank cover
- Color-matched trip lever
- Speed Connect™ tank/bowl coupling system
- Sanitary bar on bowl
- 2 bolt caps
- 100% factory flush tested

3459.016 Bowl

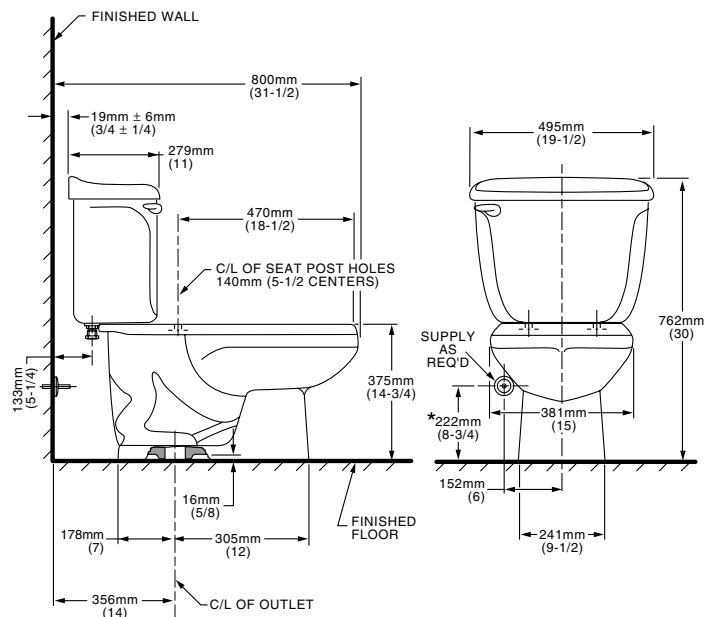
4114.016 Tank

Nominal Dimensions:
800 x 495 x 762mm
(31-1/2" x 19-1/2" x 30")

Fixture only, seat and supply by others

Alternate Tank Configurations Available:

- 4114.600** Tank complete w/Cover Locking Device
- 4114.800** Tank complete w/Trip Lever Located on Right Side



To Be Specified

- Color:**
- Seat:** American Standard #5324.019 "Rise and Shine" (with easy to clean lift-off hinge system) solid plastic closed front seat with cover. See page TB-001.
- Seat:** American Standard #5311.012 "Laurel" molded closed front seat with cover. See page TB-001.
- Alternate Seat:**
- Supply with stop:**

NOTES:
THIS COMBINATION IS DESIGNED TO ROUGH-IN AT A MINIMUM DIMENSION OF 356MM (14") FROM FINISHED WALL TO C/L OF OUTLET.
* DIMENSION SHOWN FOR LOCATION OF SUPPLY IS SUGGESTED. SUPPLY NOT INCLUDED WITH FIXTURE AND MUST BE ORDERED SEPARATELY.
IMPORTANT: Dimensions of fixtures are nominal and may vary within the range of tolerance established by ANSI Standard A112.19.2
These measurements are subject to change or cancellation. No responsibility is assumed for use of superseded or voided pages.

**Compliance Certifications -
Meets or Exceeds the Following Specifications:**

- ASME A112.19.2M (and 19.6M) for Vitreous China Fixtures - includes Flush Performance, Ball Pass Diameter, Trap Seal Depth and all Dimensions