

# American Standard



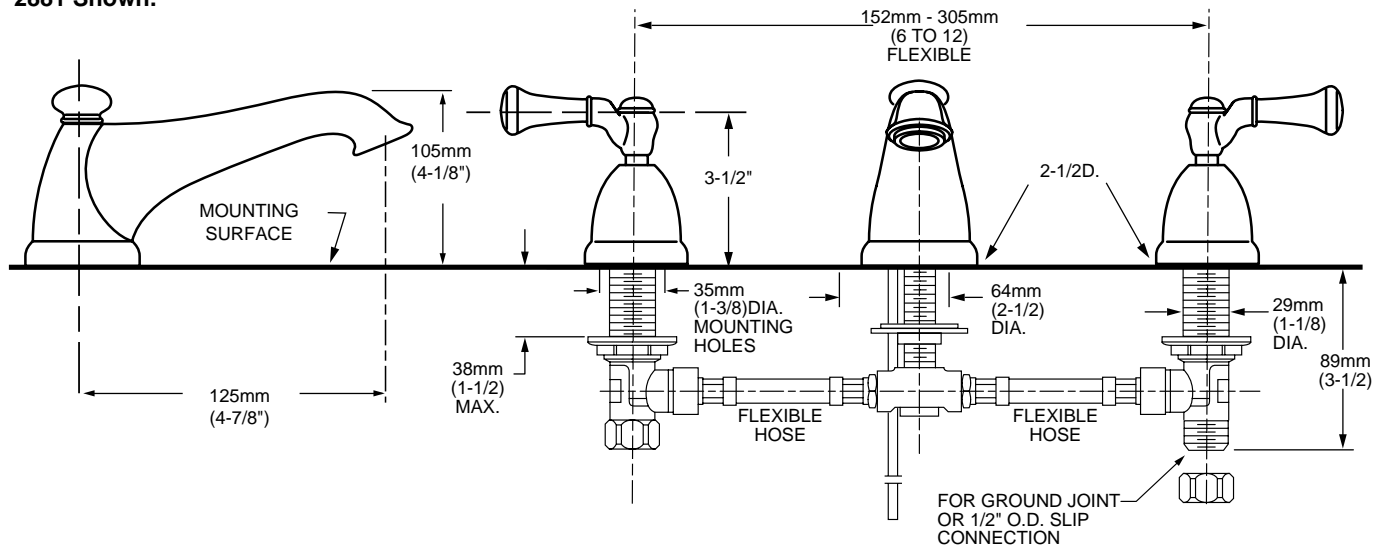
## TWO-HANDLE WIDESPREAD LAVATORY FAUCET WITH BRASS SPOUT

### MODEL NUMBER:

- 2881 Widespread Lavatory  
Pop-up drain. Porcelain Lever handles.  
Polished Chrome finish.
- 2881S Widespread Lavatory  
Pop-up drain. Porcelain Lever handles. Satin finish.



2881 Shown.



### GENERAL DESCRIPTION:

Cast brass valve bodies with flexible hose connections for 6" to 12" (152mm to 305mm) installations. 1/4 turn washerless ceramic disc valve cartridges - reversible for use with either lever or cross handles. Cast brass spout. One-half inch male inlet shanks. All brass drain body with 1-1/4" (32mm) tailpiece. 2.2 gpm/8.3L/min. maximum flow rate.

### PRODUCT FEATURES:

**Brass Construction:** Durable. Easy to clean, seamless design. Ideal for prolonged contact with water. Provides the finest surface for application of colors and finishes.

**Ceramic Disc Valve Cartridges:** Assures a lifetime of smooth handle operation and drip-free performance.

**Low Lead:** Meets NSF Standard 61/Section 9 & Prop 65 lead requirements.

**Genuine Porcelain Handles**

**Exclusive Handle Alignment System:** Allows fine tuning of handle position.

**Choice of Finishes:** Lifetime finishes won't tarnish or scratch.

**Lifetime Warranty**

### SUGGESTED SPECIFICATION:

Two handle widespread lavatory faucet shall feature cast brass valve bodies with flexible hose connections for 6" to 12" installations. Shall also feature 1/4 turn washerless ceramic disc valve cartridges. Fitting shall be American Standard Model #2881.

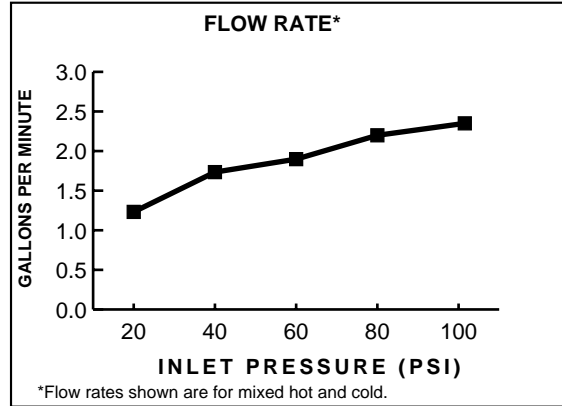


**TWO-HANDLE WIDESPREAD  
LAVATORY FAUCET  
WITH BRASS SPOUT**


**CODES AND STANDARDS**

These products meet or exceed the following codes and standards:

- ASME A112.18.1M**
- CSA B 125**
- NSF 61/Section 9**



Product Number	Description
2881	Lavatory faucet with pop-up drain. Porcelain Lever handles. Polished Chrome finish.
2881S	Lavatory faucet with pop-up drain. Porcelain Lever handles. Satin finish.

 Meets the American Disabilities Act Guidelines and **ANSI A117.1** Requirements for the physically challenged.