

RENAISSANCE™ WHIRLPOOL

- 2732.018 Whirlpool featuring System I**
 - Acrylic with fiberglass reinforcement
 - Factory installed and tested whirlpool system
 - 1.0 HP single speed, self-draining pump/motor
 - Factory-installed power cord with plug
 - Six multi-directional color-coordinated jets including two in back rest area
 - One color-coordinated air volume control
 - Deck-mounted, color-coordinated air switch On/Off control
 - Dual, molded-in arm rests

- 2732.018C Stay Clean™ Whirlpool Massage Featuring System I:**
 - Same as 2732.018 except with the StayClean™ whirlpool system featuring Antimicrobial AlphaSan®

Nominal Dimensions: 1524 x 832 x 502mm
(60" x 32-3/4" x 19-3/4")



- Compliance Certifications - Meets or Exceeds the Following Specifications:**
- Underwriters Laboratories - Hydromassage Bathtubs UL 1795
 - ASME A112.19.7M for Whirlpool Appliances
 - ANSI Z124.1 for Plastic Bathtubs
 - ASTM E162 for Flammability
 - NFPA 258 for Smoke Density

To Be Specified - Required:

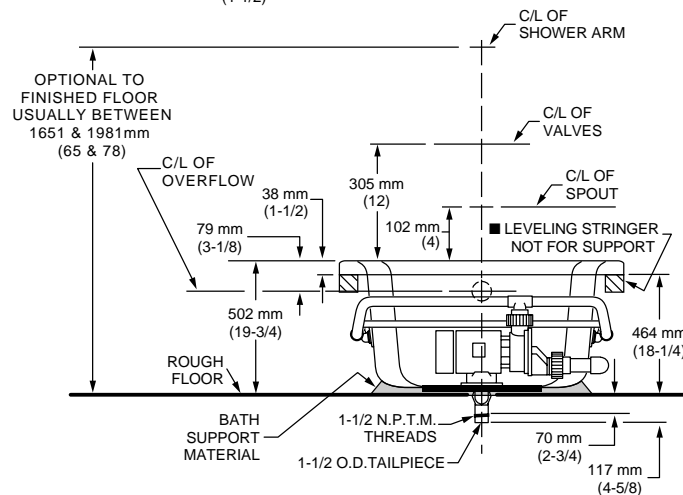
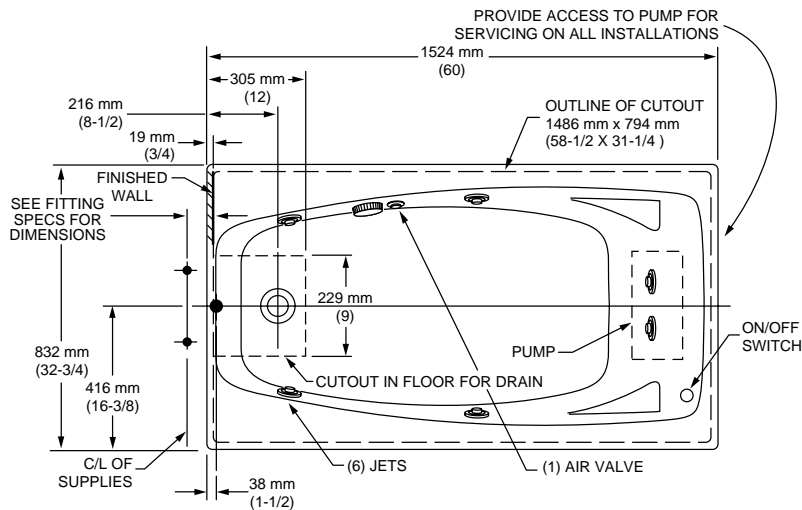
- Color:
- Bath Faucet: (specify finish)
- Bath Drain: 1583.470 (specify finish)

To Be Specified - Optional:

- 5 Foot Apron: 9260.018 (specify color)
- Universal Tile Bead Kit: 751755-100
- Grab Bar Kit: 9822.200-two per kit (specify finish)

For color/finish availability and other faucet choices, please see the Product Selector and Pricing Guide.

NOTE: Roughing-in dimensions and product specifications shown on reverse side of page.



GENERAL SPECIFICATIONS FOR 2732 WHIRLPOOL

INSTALLED SIZE - 60 x 32-3/4 x 19-3/4 In. (1524 x 832 x 502mm)	
WEIGHT _____	95 Lbs. (43 Kg.)
WEIGHT w/WATER _____	604 Lbs. (275 Kg.)
GAL. TO OVERFLOW _____	61 Gal. (230 L.)
MIN. OPERATING GAL. _____	42 GAL. (159L.)
BATHING WELL AT SUMP _____	20 x 39 In. (508mm x 991mm)
BATHING WELL AT RIM _____	27-1/2 x 56 In. (699mm x 1422mm)
WATER DEPTH TO OVERFLOW _____	14-1/4 In. (362mm)
FLOOR LOADING _____	44 Lbs./Sq. Ft. (213 Kgs/Sq. m.)
(PROJECTED AREA)	
PTS. _____	15.6
CUBE (FT ³) _____	29.6

WHIRLPOOL ELECTRICAL SPECIFICATIONS

SYSTEM I PUMP _____	1.1 HP, 9.9 AMPS, 120V.
---------------------	-------------------------

NOTES:

BATH CAN BE INSTALLED EITHER ABOVE OR BELOW FLOOR LINE AS PIER, ISLAND, OR PENINSULA TYPE INSTALLATION. SUPPORT OF BATH BY SUMP BEDDING. SUPPORT AND ENCLOSING MATERIAL BY OTHERS.

■ REFER TO INSTALLATION INSTRUCTIONS SUPPLIED WITH WHIRLPOOL FOR ADDITIONAL INFORMATION.

OPTIONAL 3 WALL TILING BEAD. KIT AND APRON No.9260.018 AVAILABLE AND MUST BE ORDERED SEPARATELY.

FITTINGS NOT INCLUDED AND MUST BE ORDERED SEPARATELY.

PROVIDE SUITABLE REINFORCEMENT FOR ALL SUPPORTS.

IMPORTANT: Dimensions of fixtures are nominal and may vary within the range of tolerances established by ANSI Standard Z124.1.

These measurements are subject to change or cancellation. No responsibility is assumed for use of superseded or voided pages.