

MODEL NUMBER:

TRIM KIT:

- T106.740 Two-Handle Thermostat Trim Kit**
With separate volume control. LESS Valve.

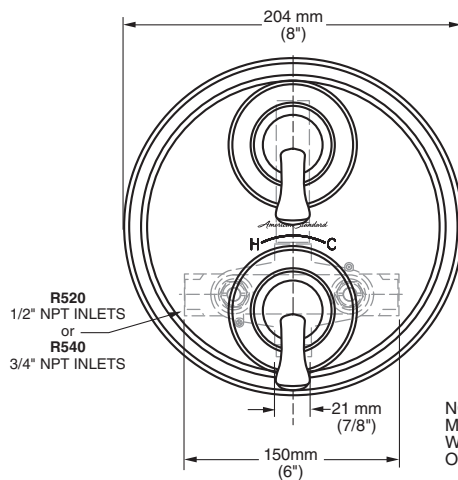
ROUGH VALVES:

TEMPERATURE & ON/OFF VOLUME CONTROL ONLY

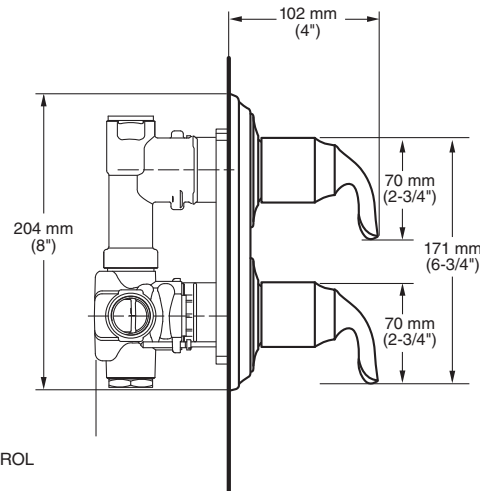
- R520 Rough Valve Body only**
1/2" NPT inlets/outlets. With separate volume control. LESS Trim.
- R540 Rough Valve Body only**
3/4" NPT inlets/outlets. With separate volume control. LESS Trim.

TEMPERATURE & ON/OFF VOLUME CONTROL & BUILT-IN DIVERTER

- R522 Rough Valve Body only**
1/2" NPT inlets/outlets. With separate volume control and built-in 2-way diverter. LESS trim.
- R523 Rough Valve Body only**
1/2" NPT inlets/outlets. With separate volume control and built-in 3-way diverter. LESS trim.



NOTE: FITTING MUST BE INSTALLED WITH VOLUME CONTROL ON TOP.



GENERAL DESCRIPTION:

Cast brass valve body. The single unit contains two handles, the bottom lever handle sets the desired temperature and the top handle functions as an on/off, volume control. The temperature is maintained by a wax element moving a shuttle valve between hot and cold. The volume is controlled by twin ceramic disc valve cartridges. Ceratherm includes Hot Limit Safety Stop. Escutcheon plate is stamped brass. Available with 1/2" or 3/4" NPT inlets and outlets. The valve has a high flow rate, ideal for multiple outlet installations.



ADA COMPLIANT

PRODUCT FEATURES:

- Brass Casting:** Highest quality faucet material for durability & long life.
- Wax Thermostatic Unit:** Permits shuttle valve to move between the hot and cold seat to maintain the pre-selected constant water temperature.
- Back to Back Capable:** Hot and cold can be reversed.
- Spring-Loaded Check Valves:** When the hot and cold water enters the fitting, both supplies pass through the spring-loaded check valves to prevent cross flow of hot and cold water.
- Integrated Stop Valves:** Ensure easy cleaning and servicing.
- Adjustable Hot Limit Safety Stop:** Limits the amount of hot water allowed to mix with cold. Reduces the risk of accidental scalding.

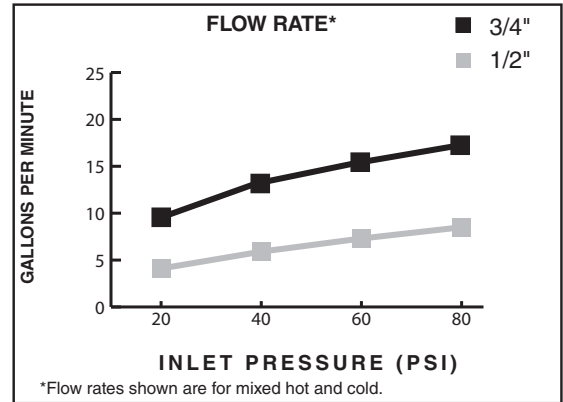
SUGGESTED SPECIFICATION

Two-handle Thermostat shall feature a cast brass valve body. Thermostat shall be a wax element shuttle valve. Shall also feature ceramic disc valving, 1/2" NPT or 3/4" NPT inlets and outlets. Fitting shall be American Standard Model # T106.740.____ (Trim Kit) and R52_ or R540 (Rough Valve).

CODES AND STANDARDS

These products meet or exceed the following codes and standards:

- ASSE 1016
- ASME A112.18.1
- CSA B125.1



TRIM KITS **	Product Number	Description	Finish Options			
			Polished Chrome	Polished Nickel	Legacy Bronzed	PVD Brushed Nickel
			002	013	278	295
T106.740*	Two-handle Thermostat Trim Kit with separate volume control.					

ROUGH VALVE BODIES	Product Number	Description
	R520*	Rough Valve Body less trim - 1/2" NPT Inlets/Outlets. With separate volume control only. LESS trim.
	R540*	Rough Valve Body less trim - 3/4" NPT Inlets/Outlets. With separate volume control only. LESS trim.
	R522	Rough Valve Body less trim - 1/2" NPT Inlets/Outlets. With separate volume control and built-in 2-way diverter. LESS trim.
	R523	Rough Valve Body less trim - 1/2" NPT Inlets/Outlets. With separate volume control and built-in 3-way diverter. LESS trim.

***NOTE:** When used as a Bath/Shower a separate diverter valve is required (such as R420 or R430).
Requires twin ell (must be ordered separately) for use with diverter spouts.

Meets the American Disabilities Act Guidelines and **ANSI A117.1** Requirements for the physically challenged.