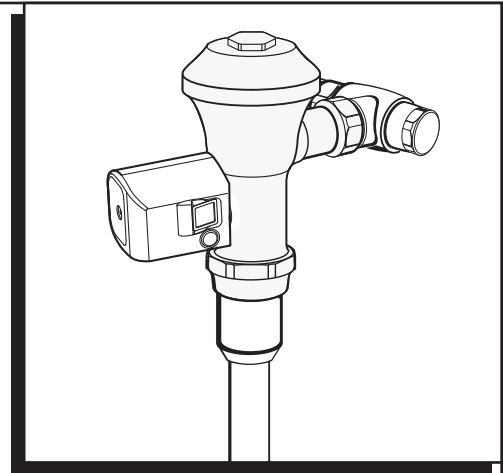


**RETROFIT SIDE-MOUNT
OPERATOR FOR DIAPHRAGM
FLUSH VALVES**

FOR URINAL & TOILET FLUSH VALVES

Thank you for selecting American Standard...
the benchmark of fine quality for over 140 years.

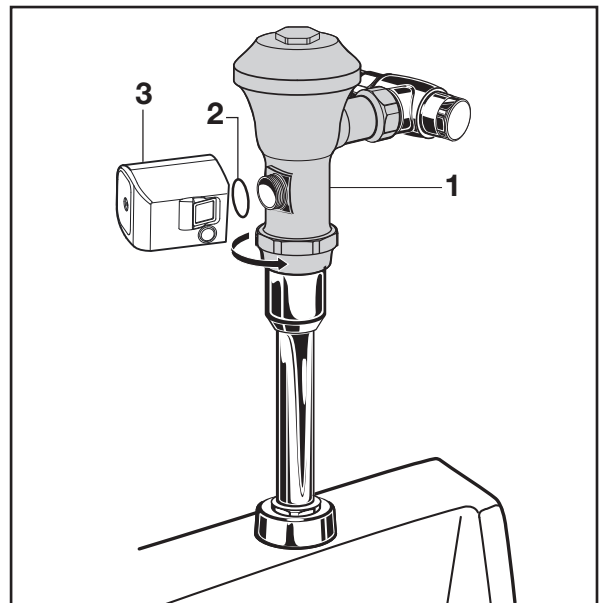
To ensure that your installation proceeds smoothly-please
read these instructions carefully before you begin.



INSTALLATION

- Remove handle assembly from installed flush valve.
Note: Keeping a rag to prevent water seepage.
- Install FLAT SEAL (2) into FLUSHING UNIT (3).
Install FLUSHING UNIT (3) to FLUSH VALVE (1).

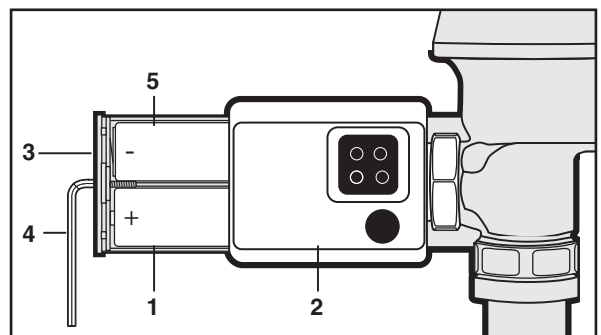
Note: There is a ± 13 mm, ($\pm 1/2$) tolerance for
the 121 mm (4-3/4) dimension.



ACTIVATION

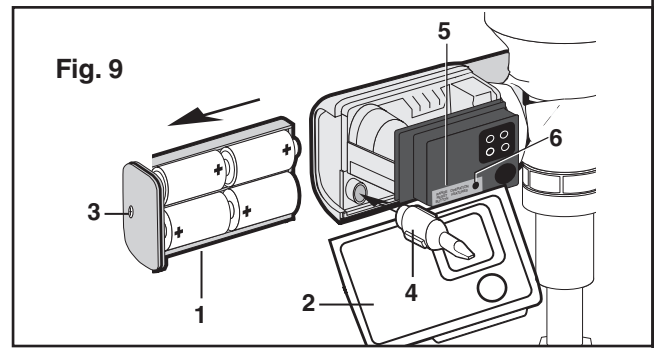
- Remove BATTERY TRAY (1) by loosening SCREW (3).
- Load 4 "C" Alkaline BATTERIES (5) onto BATTERY TRAY (1).
- Install battery tray into FLUSHING UNIT (2) and tighten SET SCREW (3) using WRENCH (4) provided.
(**Note:** last three turns of the wrench will activate the automatic flushing unit)

Note: Four (4) "C" Cell batteries are not factory installed
inside the Flush unit.



ADJUSTING SENSOR DISTANCE; Fig. 9

1. Remove BATTERY TRAY (1) by loosening SCREW (3). **Fig. 9**
2. Remove FRONT COVER (2) and remove SENSOR ADJUSTMENT TOOL (4). **Fig. 9**
3. Install BATTERY TRAY (1) and SCREW (3) back into the unit. **Fig. 9**
4. Press RANGE RESET BUTTON (5) (When object in view, it will flash green light for 7 minute rest period). **Fig. 9**
5. Stand at a desired distance and use the SENSOR ADJUSTMENT TOOL (4) to turn SENSOR ADJUSTMENT SCREW (6) all the way counter clockwise and then turn clockwise until green L.E.D begins to Flash. **Fig. 9**



ADJUSTING MODES OF OPERATION; Fig. 9 & 10

The FLUSH unit includes different modes of operation. Remove FRONT COVER (2) by loosening up SCREW (3) by using a wrench and removing BATTERY TRAY (1). Refer to the "Mode Adjustment Guide" for switch settings. The "Mode Adjustment Guide" can also be found on the inside of side cover for your convenience.

24 Hour Flush On	Allows the flush valve to automatically flush after 24 hour period of non-use to maintain the trap seal.
Alarm Tone	It beeps when the battery is running low. If you don't want it to beep, you can turn off this feature, with the toggle switches.

BATTERY REPLACEMENT;

1. Remove BATTERY TRAY (1) by loosening SCREW (3).
2. Replace 4 "C" Alkaline BATTERIES (2). (**Note:** Replace all 4 batteries at the same time for proper function)

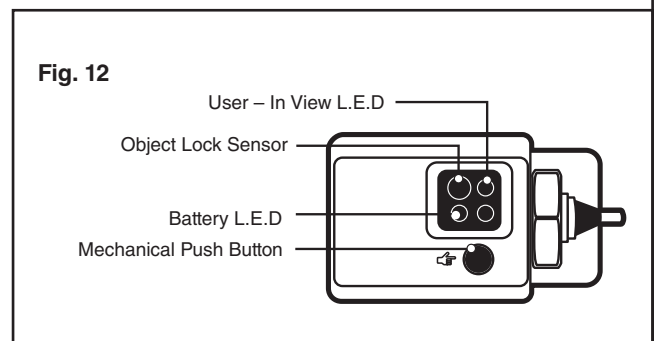
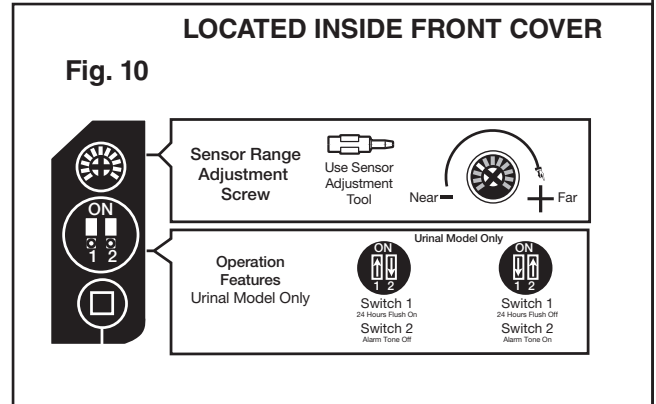
VISUAL INDICATOR GUIDE; Fig. 12

User – In View L.E.D (1) – 5 second after a user is in view a green light flashes 3 times. (during a startup sequence the green light flashes constantly for 7 minutes when a user is in view)

Battery L.E.D (2) – Yellow light flashes which indicates that the batteries all 4 "C" Alkaline batteries will need to be replaced.

Object Lock Sensor (3) – Detects user or object.

Mechanical Push Button – Allows manual activation of flush when needed and when batteries are drained.



HOT LINE FOR HELP

For toll-free information and answers to your questions, call:
 1 (800) 442-1902
 Mon. - Fri. 8:00 a.m. to 8:00 p.m. EST
 Saturday 10:00 a.m. to 4:00 p.m. EST
 IN CANADA 1-800-387-0369
 (TORONTO 1-905-306-1093)
 Weekdays 8:00 a.m. to 7:00 p.m. EST
 IN MEXICO 01-800-839-1200

