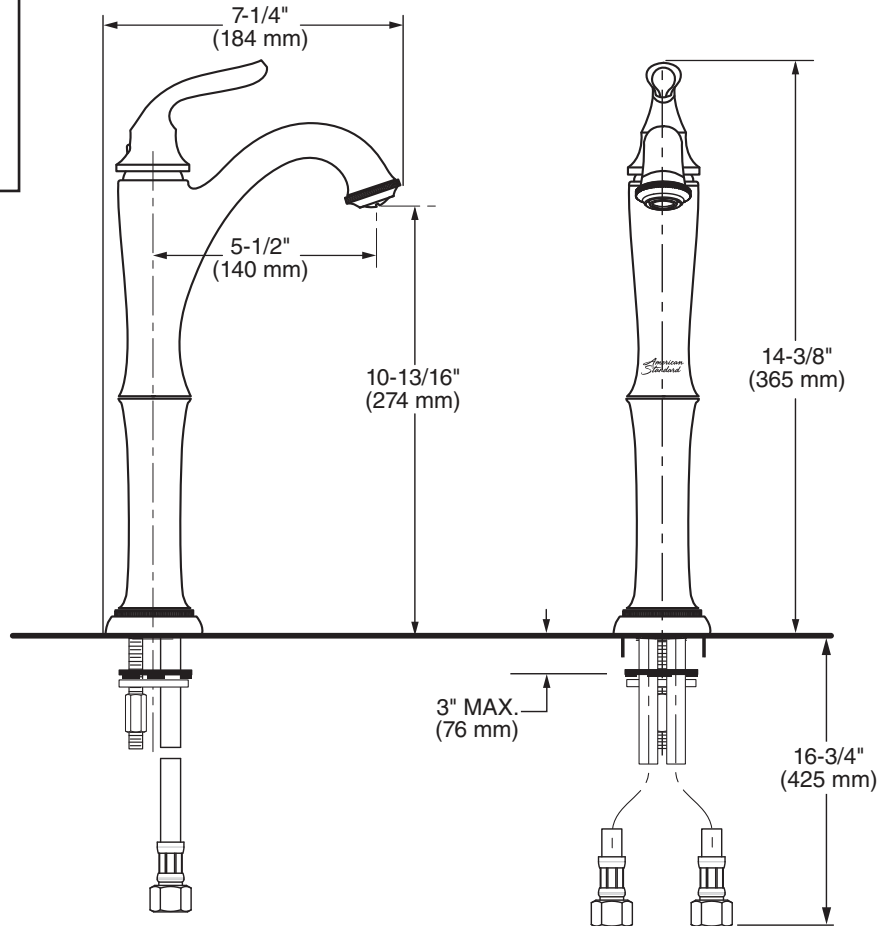


**MODEL NUMBER:**

- 7106.152 Patience Single Control Monoblock Grid Drain.



**GENERAL DESCRIPTION:**

Brass body. Washerless 35 mm ceramic disc valve cartridge with integral hot limit safety stop. Braided flexible supply hoses with 3/8" compression connectors. 1.2 gpm/4.5 L/min. maximum flow rate.

**PRODUCT FEATURES:**

**Brass Construction:** Durable. Easy to clean. Ideal for prolonged contact with water.

**Ceramic Disc Valve Cartridge:** Assures a lifetime of smooth handle operation and drip-free performance.

**Adjustable Hot Limit Safety Stop:** Limits the amount of hot water allowed to mix with cold. Reduces the risk of accidental scalding.

**Lead Free:** Faucet contains ≤ 0.25% total lead content by weighted average.



ADA COMPLIANT



EPA  
WATERSENSE®  
CERTIFIED

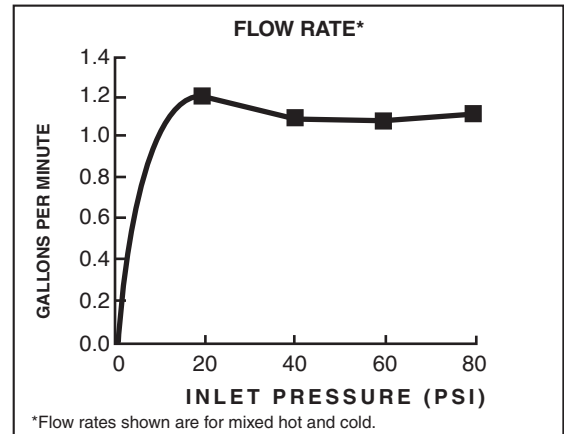
**SUGGESTED SPECIFICATION**

Single control lavatory faucet shall feature a brass body and metal lever handle. Fitting shall be equipped with flexible supplies with 3/8" compression connectors. Shall also feature washerless ceramic disc valve cartridge with an integral hot limit safety stop. Fitting shall be American Standard Model # 7106.152.....

**CODES AND STANDARDS**

These products meet or exceed the following codes and standards:

- ANSI A117.1**
- ASME A112.18.1**
- CSA B125.1**
- NSF 61/Section 9**
- NSF 372**



Product Number	Description	ADA	Finish Options			
			Polished Chrome	Brushed Nickel	Legacy Bronze	Polished Nickel
7106.152	Patience Single Control vessel faucet with grid drain.	ADA	002	295	278	013

 Meets the American Disabilities Act Guidelines and **ANSI A117.1** Requirements for the physically challenged.