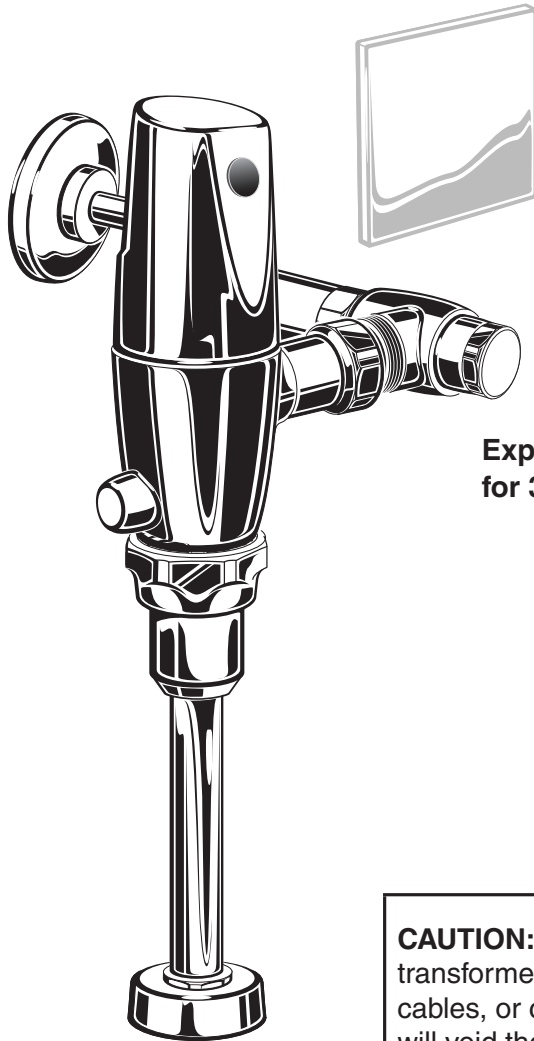


Installation Instructions

SELECTRONIC® EXPOSED URINAL FLUSH VALVE AC POWERED PROXIMITY 0.125 0.25 0.5 & 1.0 GPF

MODEL NUMBERS			
606B.101	606B.051	606B.025	606B.013



COVER PLATE
(Required for Front Installation Only)

Exposed Flushometer
for 3/4" Top Spud Urinals

CAUTION: Use only American Standard supplied transformers and cable sets. Using non-AS supplied cables, or cutting, splicing or modifying any components will void the warranty.

Certified to comply with ASME A112.19.2
© 2017 AS America, Inc.

American Standard

NOTE TO INSTALLER: Please give this manual to the customer after installation.

To learn more about American Standard Selectronic® Products visit our website at: www.americanstandard-us.com
or e-mail us at: CRTTEAM@americanstandard.com

For Parts, Service, Warranty or other Assistance,
please call (844) CRT-TEAM / (844) 278-8326 (In Canada: 1-800-387-0369)
(In Toronto Area only: 1-905-306-1093)

American Standard
CRT
Certified Response Technician

Thank you for selecting American-Standard...the benchmark of fine quality for over 100 years. To ensure that your installation proceeds smoothly--please read these instructions carefully before you begin.

UNPACKING

All American Standard Products Are Water Tested At Our Factory. Some Residual Water May Remain In The Valve During Shipping.

Remove the Flush Valve items from the carton. The illustration below shows all items after they have been removed from the carton. Some items may be packaged partially assembled to other items.

- | | |
|----------------------------------|------------------|
| 1. Installation Instructions | 8. Sweat Adapter |
| 2. Flush Valve Body Assembly | 9. Stop Valve |
| 3. Vacuum Breaker Tube | |
| 4. Spud Coupling Nut and Washers | |
| 5. Spud Flange | |
| 6. Wall Escutcheon | |
| 7. Cover Tube | |

CARE INSTRUCTIONS:

DO: CLEAN THE PRODUCT WITH CLEAR WATER, DRY WITH A SOFT COTTON FLANNEL CLOTH.

DO NOT: DO NOT CLEAN THE PRODUCT WITH SOAPS, ACID, POLISH, ABRASIVES, HARSH CLEANERS, OR A CLOTH WITH A COARSE SURFACE.

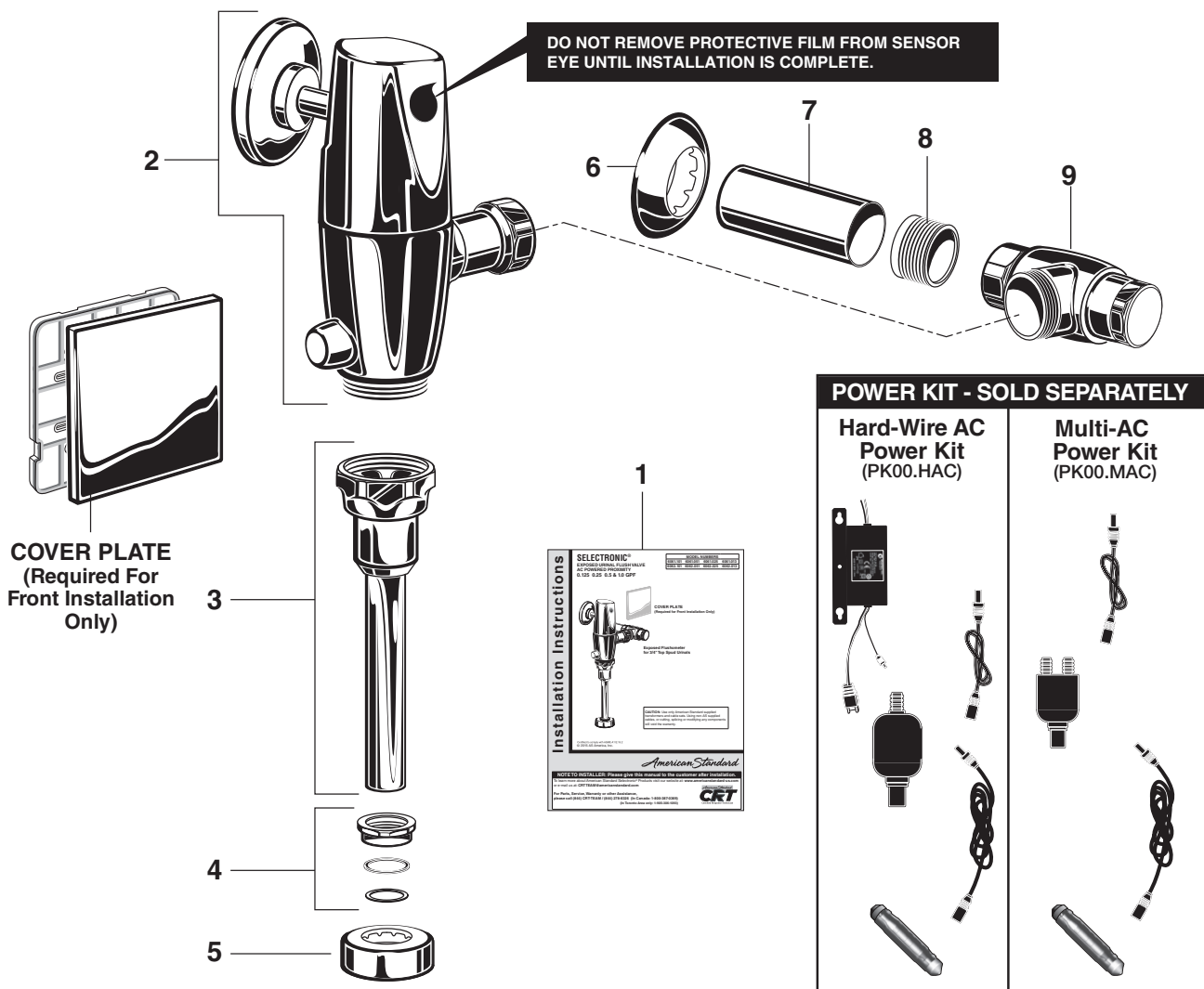
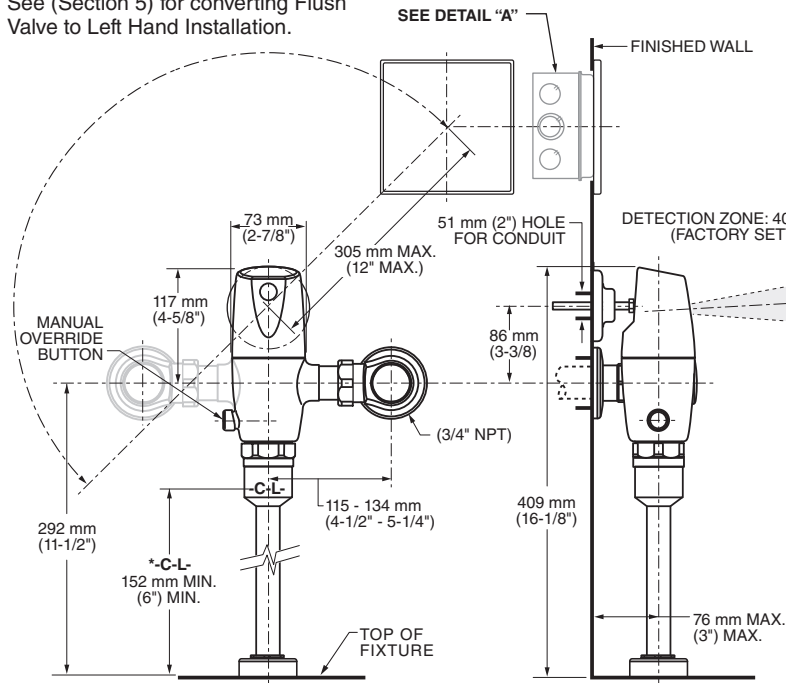


Fig. 1 (Before November 2017)

Roughing-in Dimensions (Front Installation Shown)

Right or Left Hand Installation

See (Section 5) for converting Flush Valve to Left Hand Installation.



*Note: The Critical Line (-C-L) on Vacuum Breaker must typically be 6" (152mm) above fixture. Consult Codes for details.

**GENERAL DESCRIPTION:
SELECTRONIC® PROXIMITY URINAL FLUSH VALVE
Exposed Flushometer for 3/4" Top Spud Fixtures**

CAUTION: Use only American Standard supplied transformers and cable sets. Using non-AS supplied cables, or cutting, splicing or modifying any components will void the warranty.

4" (102 mm) SQ. BOX DEVICE COVER (PLASTER RING).
3/4" (19 mm) HIGH Hubbel-RACO #779 OR EQUAL
(BY CONTRACTOR).

NOTE: INSTALL PLASTER RING SO THAT SCREW HOLES ARE ON THE LEFT AND RIGHT SIDE OF BOX.

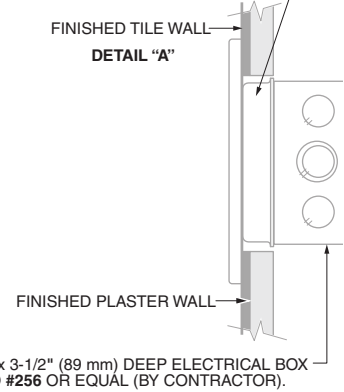
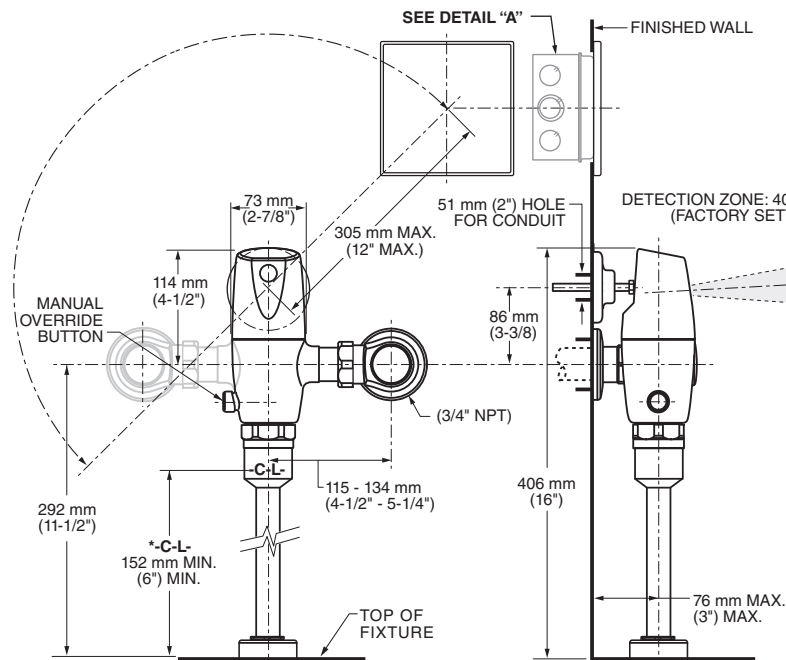


Fig. 1A (After November 2017)

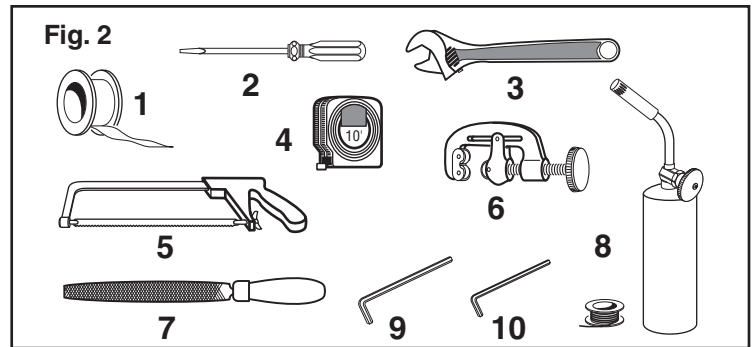
Roughing-in Dimensions Fig. 1



*Note: The Critical Line (-C-L) on Vacuum Breaker must typically be 6" (152mm) above fixture. Consult Codes for details.

RECOMMENDED TOOLS; Fig. 2.

1. Teflon Tape
2. Flat Blade Screwdriver
3. Adjustable Wrench
4. Tape Measure
5. Hacksaw
6. Tubing Cutter
7. File
8. For Sweat Connection; Solder and Torch
9. 2.5 mm Hex Wrench
10. 1.5 mm Hex Wrench



PRIOR TO INSTALLATION

Note: Prior to installing the Selectronic™ Flush Valve the following items must be installed.

1. Urinal
2. Drain line
3. Water supply line

IMPORTANT:

- All plumbing and electrical wiring should be installed in accordance with applicable codes and regulations.
- The use of water hammer arrestors is strongly recommended for commercial applications. All piping behind the walls should be properly secured and fastened.
- Water supply lines must be sized to provide an adequate volume of water for each fixture.

- Flush all water lines prior to operation. Dirt and debris can cause flush valve to run continuously.
- With the exception of Stop Valve Inlet, DO NOT use pipe sealant or plumbing grease on any valve component or coupling!
- Protect the chrome or special finish on the Flushometer. DO NOT USE toothed tools on finished surfaces to install or service these valves. Also see "Care and Cleaning" section of this manual.
- This product contains mechanical and/or electrical components that are subject to normal wear. These components should be checked on a regular basis and replaced as needed to maintain the valve's performance.

FLUSH VALVE INSTALLATION

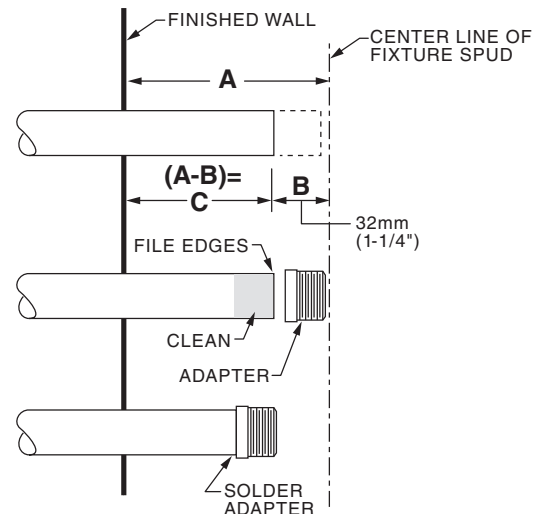
1 INSTALL SWEAT ADAPTER; Fig. 3

CAUTION Turn water supplies off before beginning

Note: Install Optional Sweat Adapter (Supplied) for copper pipe supply line.

1. Measure the distance (A) from the finished wall to the center of the inlet spud on the fixture.
2. Cut the supply pipe 1-1/4" (A-B=C) shorter than the measurement taken in Step 1. File any rough edges off the end of the supply pipe.
3. Clean the end of the supply pipe. Push the threaded Adapter until it is seated against the internal stop. Sweat the Adapter to the pipe.

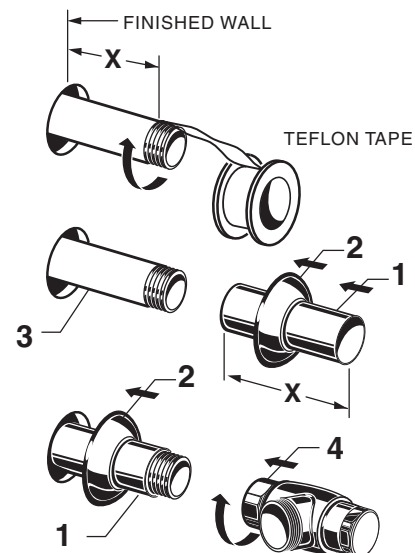
Fig.3



2 INSTALL COVER TUBE, WALL ESCUTCHEON and STOP VALVE; Fig. 4

1. Measure from finished wall to first thread of Adapter or threaded supply pipe (dimension "X"). Cut COVER TUBE (1) to length (X). Apply Teflon Tape to the threaded end of the Adapter or supply pipe.
2. Push WALL ESCUTCHEON (2) onto the COVER TUBE (1). Slide both onto the SUPPLY PIPE (3).
3. Push the COVER TUBE (1) in to expose the threads of the supply pipe. With a wrench thread the STOP VALVE (4) onto the SUPPLY PIPE (3). Align and tighten.
4. Pull COVER TUBE (1) against STOP VALVE (4) and push WALL ESCUTCHEON (2) against finished wall.

Fig. 4

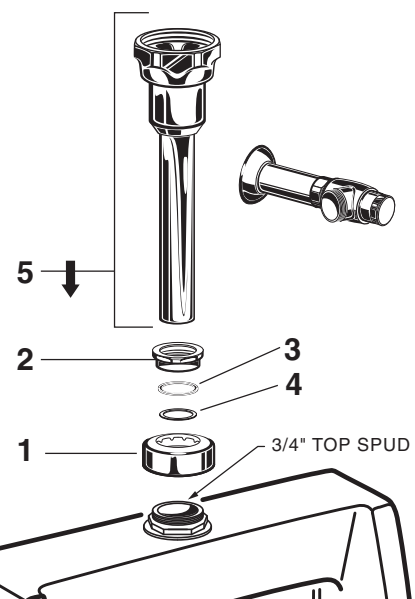


3 INSTALL VACUUM BREAKER TUBE; Fig. 5

1. Place the SPUD FLANGE (1) over the spud on the Fixture.
2. Place FRICTION WASHER (3) and SEAL WASHER (4) inside SPUD COUPLING NUT (2) and thread onto Spud. Do not tighten fully.
3. Insert the VACUUM BREAKER TUBE (5) into the SPUD COUPLING NUT (2) and push it down.

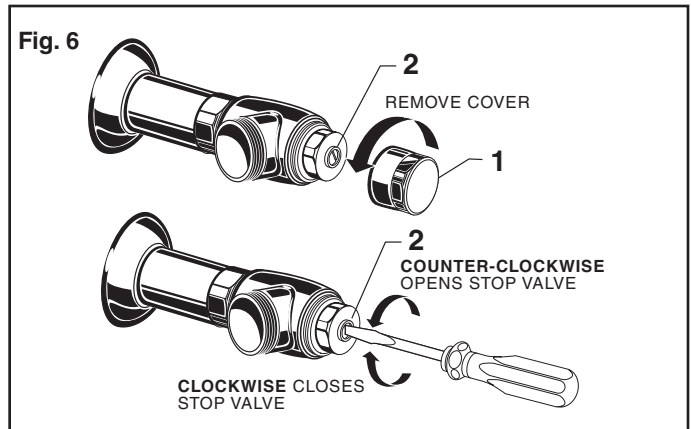
Note: If cutting VACUUM BREAKER TUBE (5) to size, note that Critical Line (C/L) on Vacuum Breaker must typically be 6" (152mm) above fixture. Consult Code for details.

Fig. 5



4 FLUSH OUT SUPPLY LINES; Fig. 6

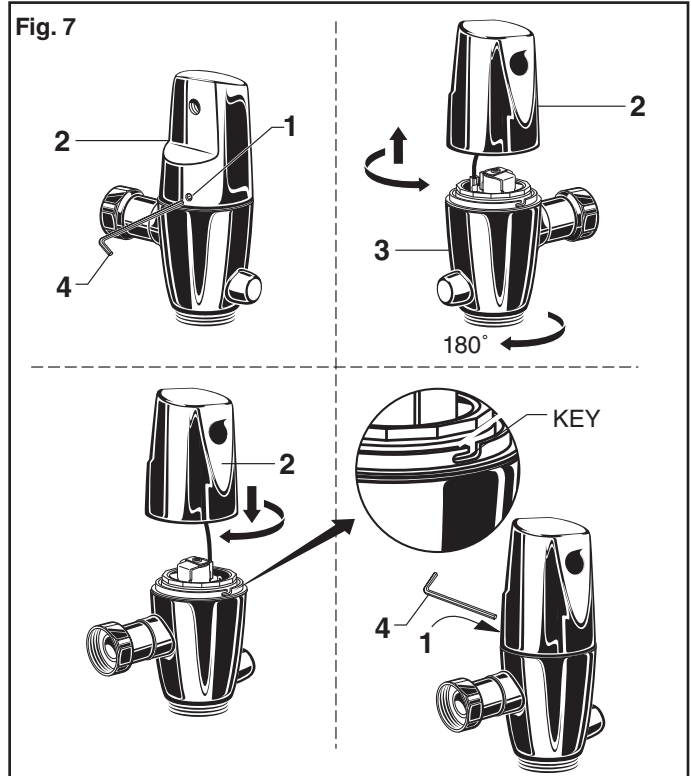
1. Remove STOP VALVE COVER (1) from STOP VALVE (2).
2. Open STOP VALVE (2) with a flat blade screwdriver.
3. Turn on water supply to flush line of any debris or sediment.
4. Close STOP VALVE (2) and replace STOP VALVE COVER (1).



5 LEFT OR RIGHT HAND INSTALLATION; Fig. 7

The unit is shipped with the adjustable tailpiece on the right side. If needed, the orientation can be modified by following the steps below.

1. Loosen SET SCREW (1) with 2.5mm Hex Wrench (4) in back of FLUSH VALVE COVER (2).
2. Rotate FLUSH VALVE COVER (2) to the right and pull off.
3. Rotate FLUSH VALVE BODY (3) 180°
4. Replace COVER (2) and rotate until key engages. Tighten SET SCREW (1).



6 INSTALL FLUSH VALVE; Fig. 8, 8a

1. Insert ADJUSTABLE TAILPIECE (1) into the STOP VALVE (2). Lubricate the O-RING (3) with water if necessary. Lightly tighten COUPLING NUT (4). Fig. 8.

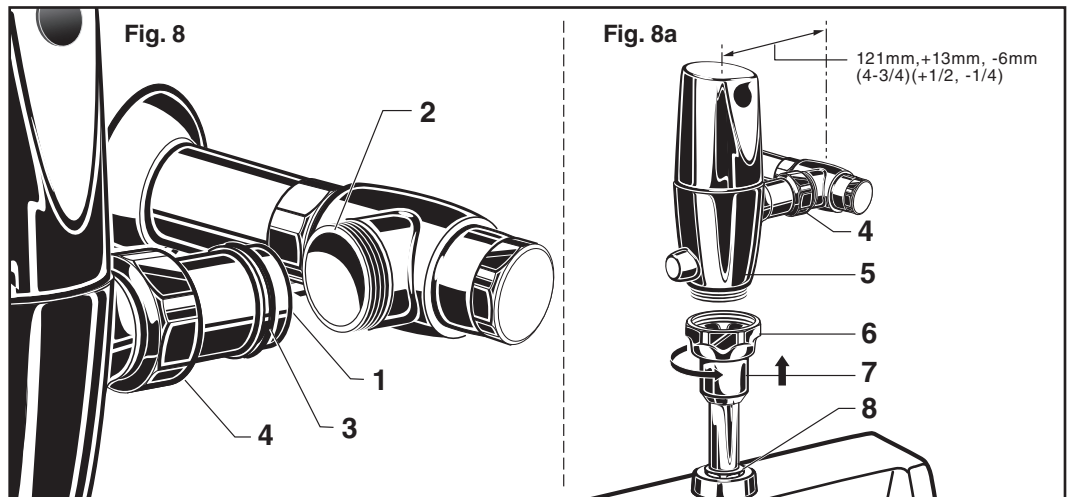
Important: Do not use lubricants (other than water) or any type of thread sealing paste or tape.

2. Align the FLUSH VALVE BODY (5) directly above the VACUUM BREAKER TUBE (7) and VACUUM BREAKER COUPLING NUT (6). Fig. 8a.

Note: There is a +13mm, -6mm (+1/2, -1/4) tolerance for the 121mm (4-3/4) dimension.

3. Pull the VACUUM BREAKER TUBE (7) up to meet the threaded FLUSH VALVE BODY (5), hand tighten the VACUUM BREAKER COUPLING NUT (6). Align all components of the flush valve assembly. Fig. 8a.

4. Lightly tighten the COUPLING NUT (4) connection first, then the VACUUM BREAKER COUPLING NUT (6) and finally the SPUD COUPLING NUT (8). Once aligned correctly, use a wrench to tighten couplings to make water tight connections. Fig. 8a.



ELECTRICAL INSTALLATION

7 INSTALL ELECTRICAL BOX (BY OTHERS); Fig. 9

FOR FRONT INSTALLATION (with cover plate)

Note: The **ELECTRICAL BOX (1)** can be installed in any location along the marked arc.

Cut a 105 x 105 mm (4-1/8" x 4-1/8") opening in finished wall for **ELECTRICAL BOX (1)** (not supplied) and follow installation template provided in box.

REMOTE INSTALLATION OF ELECTRICAL BOX (without cover plate)

Mount a 4" x 4" x 3-1/2" (102 x 102 x 89 mm), **ELECTRICAL BOX (1)** (not supplied) within 10' from the installed flush valve. See **Fig. 11**.

Fig.9 (TOP SPUD FIXTURE ILLUSTRATED)

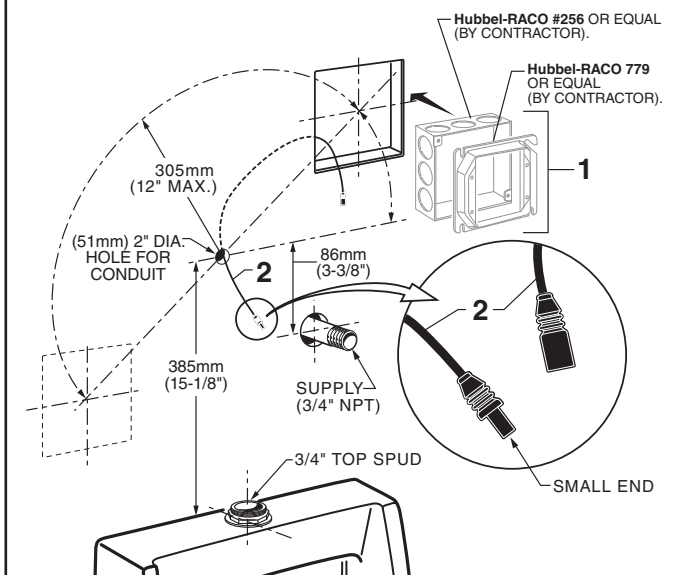


Fig.10

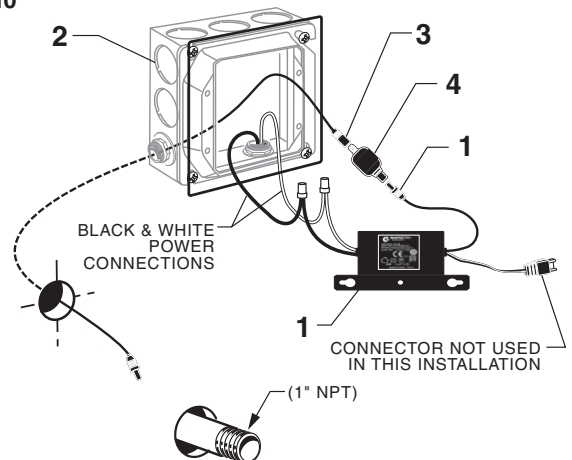
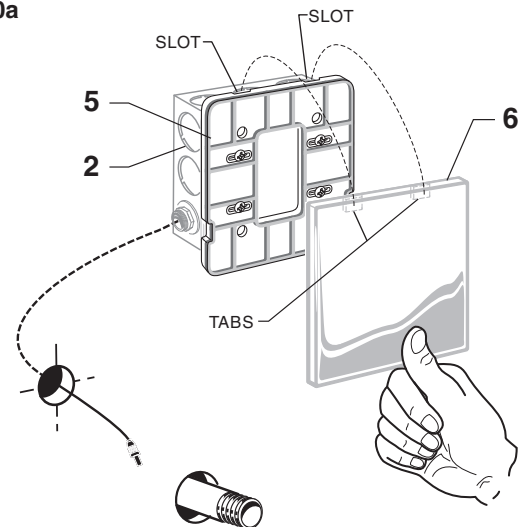


Fig.10a



CAUTION: Use only American Standard supplied transformers and cable sets. Using non-AS supplied cables, or cutting, splicing or modifying any components will void the warranty.

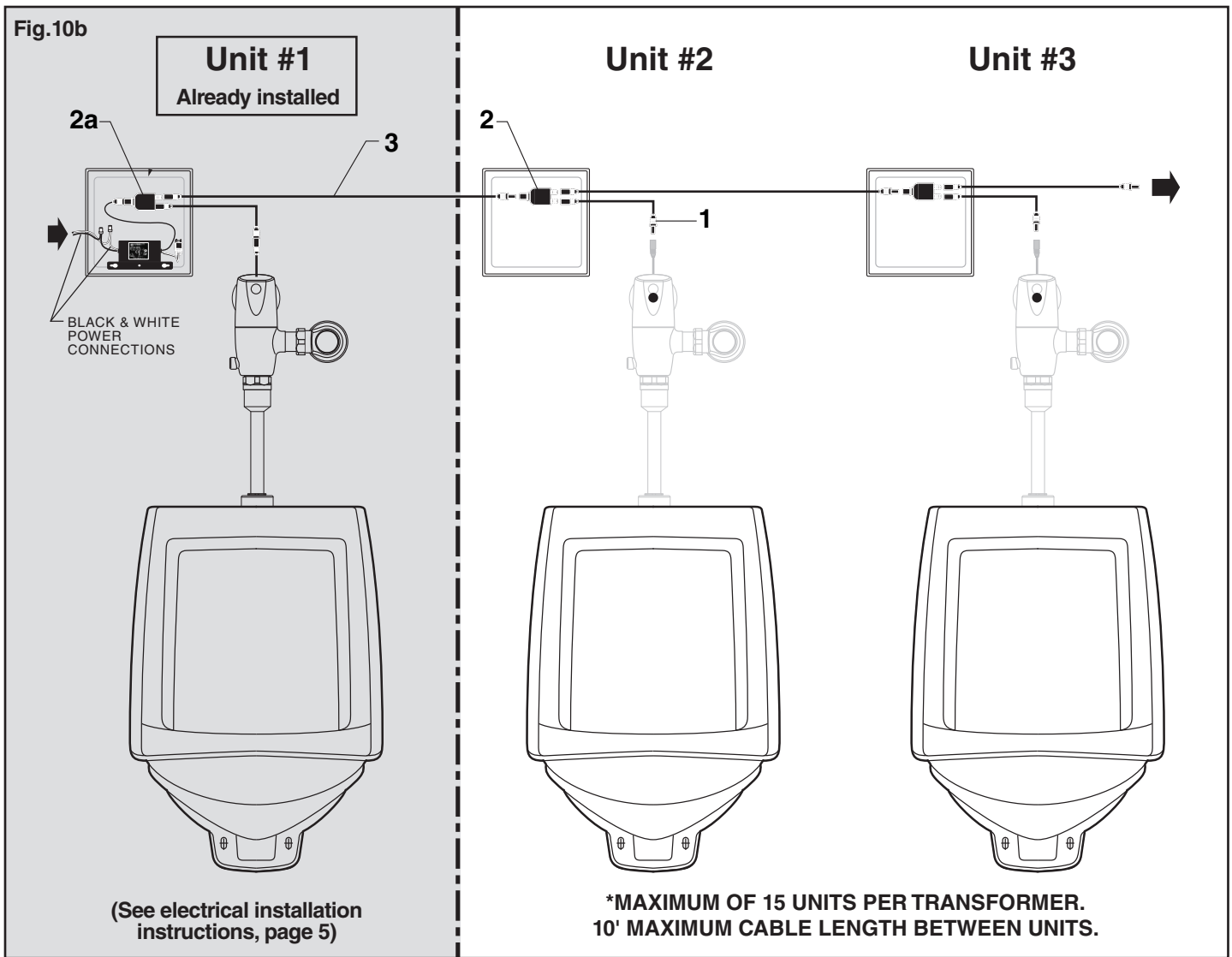
8 INSTALL POWER SUPPLY AND MAKE ELECTRICAL CONNECTIONS; Fig. 10, 10a

CAUTION Ensure that the line power to bathroom is OFF prior to making connections.

1. Mount **POWER SUPPLY (1)** into **ELECTRICAL BOX (2)**. Connect White and Black power connections to **POWER SUPPLY (1)**. **Fig. 10**.
2. Connect **AC TRANSFORMER (1)** to the **SINGLE AC ADAPTER (4)**. **Fig. 10**.
3. Connect the 27" **EXTENSION CABLE (3)** from the flush valve cover to **SINGLE AC ADAPTER (4)**. **Fig. 10**. If **ELECTRICAL BOX (2)** is installed remotely, then connect the 10' **EXTENSION CABLE** (sold separately) to the 27" **EXTENSION CABLE (3)** from the flush valve cover and secure this connection by installing into **CONNECTOR LOCKING DEVICE (5)** as shown in **Fig. 11** (on page 8).

8a COVER PLATE FRAME AND COVER PLATE INSTALLATION (front installation only)

1. After **POWER SUPPLY (1)** is installed and wire connections are completed, install the **COVER PLATE FRAME (5)** onto the **ELECTRICAL BOX (2)**. **Fig. 10a**.
2. Install the two tabs on the back side of the **COVER PLATE (6)** into the two Slots located on the top edge of the **COVER PLATE FRAME (5)**. Push on bottom until it snaps into place. **Fig. 10a**.



8b MULTI-AC VERSION (DAISY-CHAIN); Fig. 10b.

CAUTION Ensure that the line power to bathroom is OFF prior to making connections.

Important: All cover plates must be uninstalled before beginning to make daisy-chain connections.
Disconnect the first unit's Y-Adapter from power supply before making daisy-chain connections.

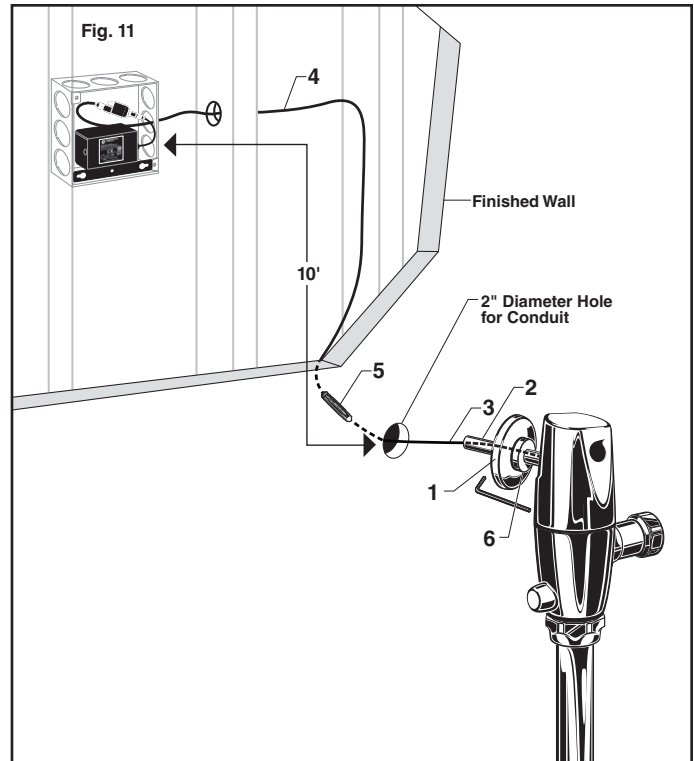
Note: For Unit #1 electrical instructions, refer to section #7 & #8a (page 5).
For subsequent Units, refer to section #7 (page 5), as well as instructions below...

1. Connect one end of the 27" EXTENSION CABLE (1) to one of the two available terminals on the one end of the Y-ADAPTER (2).
2. Take the 10' EXTENSION (3) and connect one end to the single terminal of Y-ADAPTER (2), and the other end to available terminal of the previous unit's Y-ADAPTER (2a).
3. Repeat process for each subsequent unit.
4. Place Y-ADAPTERS (2) into respective electrical box.
5. Reconnect the first unit's Y-ADAPTER (2a) to power supply once all daisy-chain unit connections have been made.

CAUTION: Use only American Standard supplied transformers and cable sets. Using non-AS supplied cables, or cutting, splicing or modifying any components will void the warranty.

9 INSTALL CONDUIT, ESCUTCHEON AND SENSOR CABLE; Fig. 11

1. Drill a 2" diameter hole (shown in Fig. 9) in the finished wall for the CONDUIT (2).
2. Slide ESCUTCHEON (1) onto CONDUIT (2).
4. Make sure 10' EXTENSION CABLE (6), 27" EXTENSION CABLE (3), CONNECTOR LOCKING DEVICE (7), and CONDUIT (2) are inserted through the 2" diameter hole in the wall.
5. Slide ESCUTCHEON (1) tight against finished wall and secure by tightening SET SCREW (5).



MAINTENANCE

A ADJUST STOP VALVE; Fig. 12

IMPORTANT: To avoid overflowing, the STOP VALVE (3) must never be opened to the point where the flow from the valve exceeds the draining ability of the fixture.

1. After installation is complete, peel off the PROTECTIVE FILM (1) from the sensor. Standing to one side, block the sensor with your hand for 10 seconds.

Remove your hand and listen for audible "click" from within the valve.

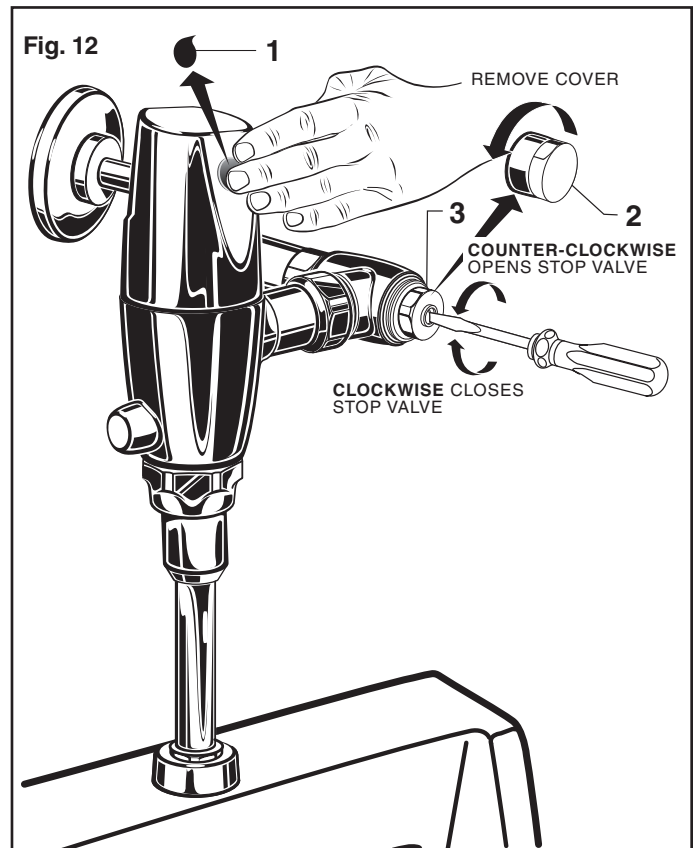
2. Remove STOP VALVE COVER (2) from STOP VALVE (3). Turn on water supply 1/4 turn to 1/2 turn (CCW) and test for leaks.

Note: Unit may flush for approximately 5 to 10 sec. when water is first turned on. If flow persists, turn water off and repeat step #1 above.

3. Actuate the FLUSH VALVE:
 - A) Cover sensor with hand for 10 seconds.

NOTE: Stand outside of sensor detection area.

- B) Remove hand from sensor detection area; unit will flush in approximately 3 seconds.
4. Adjust STOP VALVE (3) after each flush until the stated flush volume is achieved, no splashing occurs and the fixture is properly cleansed.
 5. When adjustment is complete, replace STOP VALVE COVER (2) and tighten to ensure vandal-resistance.



B SET DETECTION RANGE (if Required); Fig. 13 & 14

Note: The detection distance is preset and ideal for most installations. Should an adjustment be required, follow the steps below.

1. To remove the COVER PLATE (1), insert WIRE KEY (2) (supplied) into the two holes located at the bottom of the COVER PLATE (1). Push the WIRE KEY (2) up until it releases the bottom clips. Pull the bottom edge away and lift the COVER PLATE (1) off. **Fig. 13.**
2. Disconnect the 27" EXTENSION CABLE (3) from the Y-ADAPTER (4), and reconnect.

Note: You have 5 seconds to begin entering the program code after power connection is made.

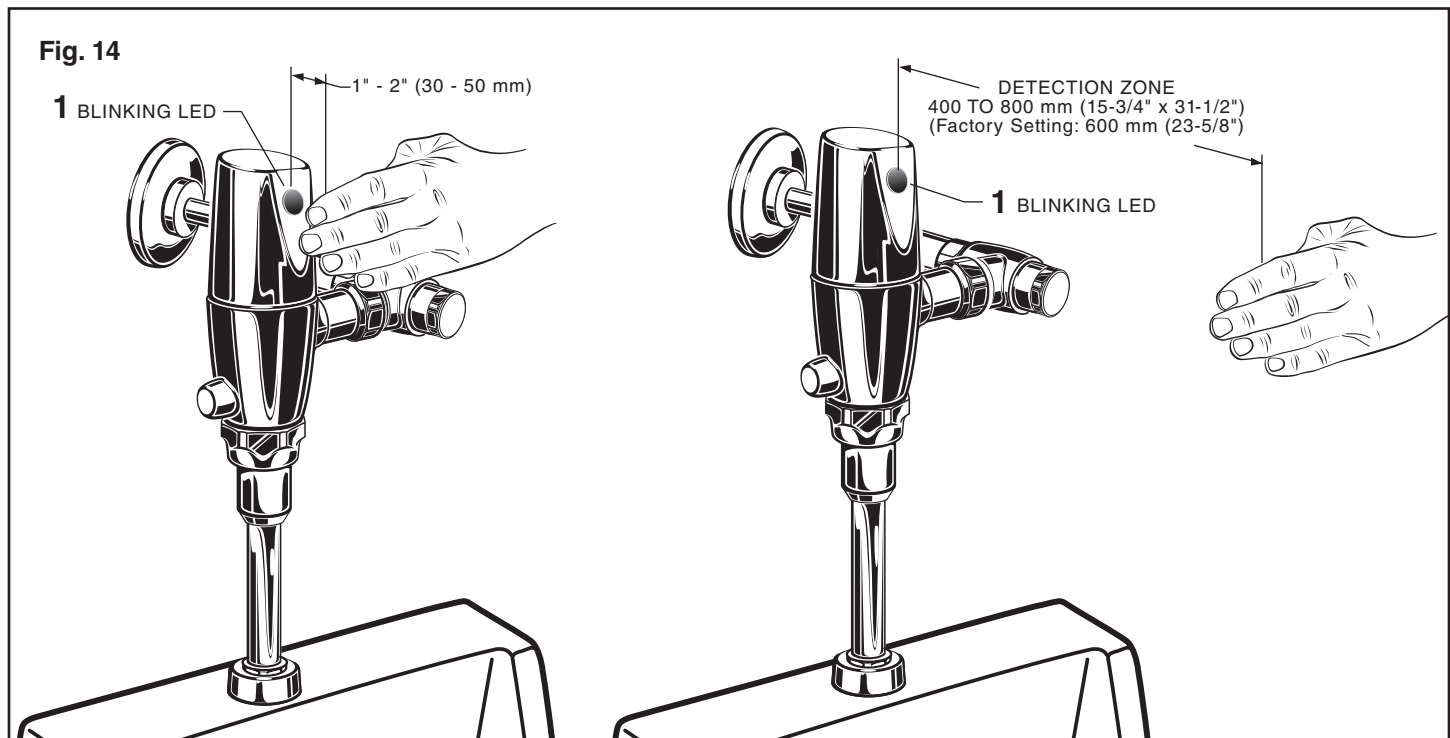
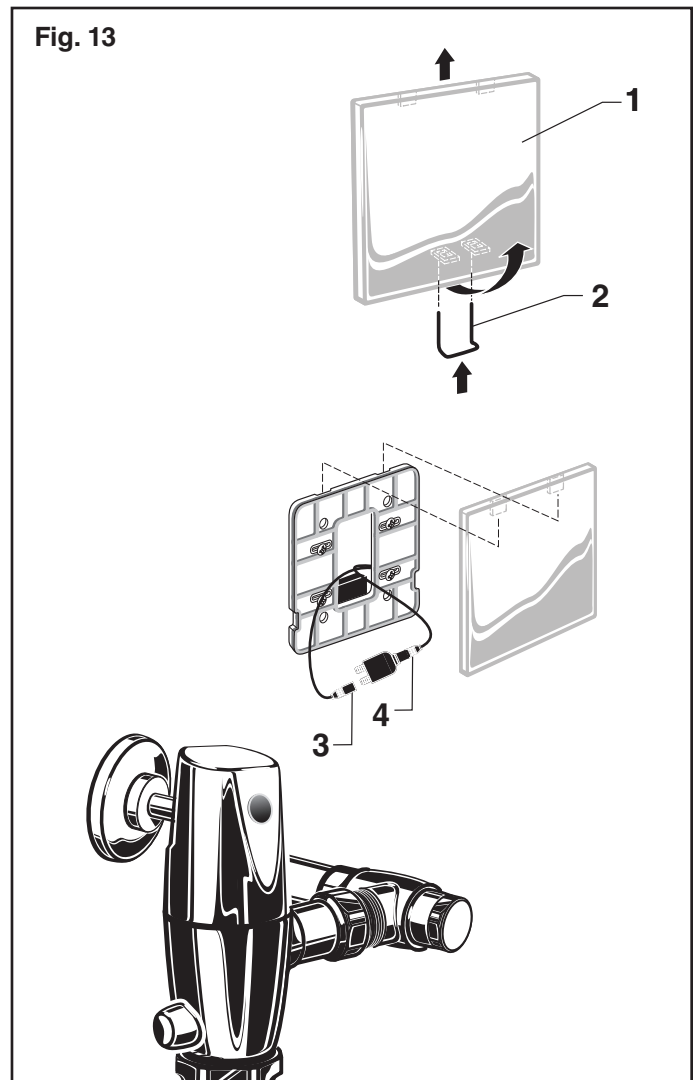
3. While the SENSOR CONTROL LED (1) is blinking slowly, place your hand 1 to 2 in. (30-50 mm.) in front of the sensor. **Fig. 14.**
4. When the LED (1) stops blinking and stays "ON", move your hand to the desired position from sensor and hold in place until the LED (1) begins to blink again.

Note: Detection Zone is 400 - 800 mm (15-3/4" x 31-1/2").
(Factory Setting: 600 mm (23-5/8"))

5. Once the SENSOR CONTROL LED (1) begins to blink again, remove your hand from the detection zone. When the flashing stops, the detection distance is set.
6. Actuate the FLUSH VALVE:
 - A) Cover sensor with hand for 10 seconds.

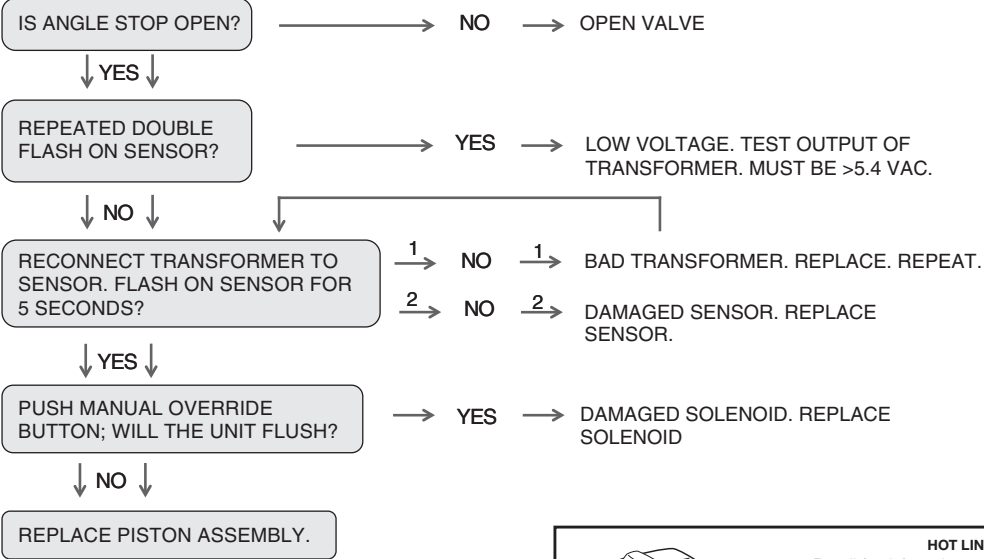
NOTE: Stand outside of sensor detection area.

 - B) Remove hand from detection area; unit will flush in approximately 3 seconds.

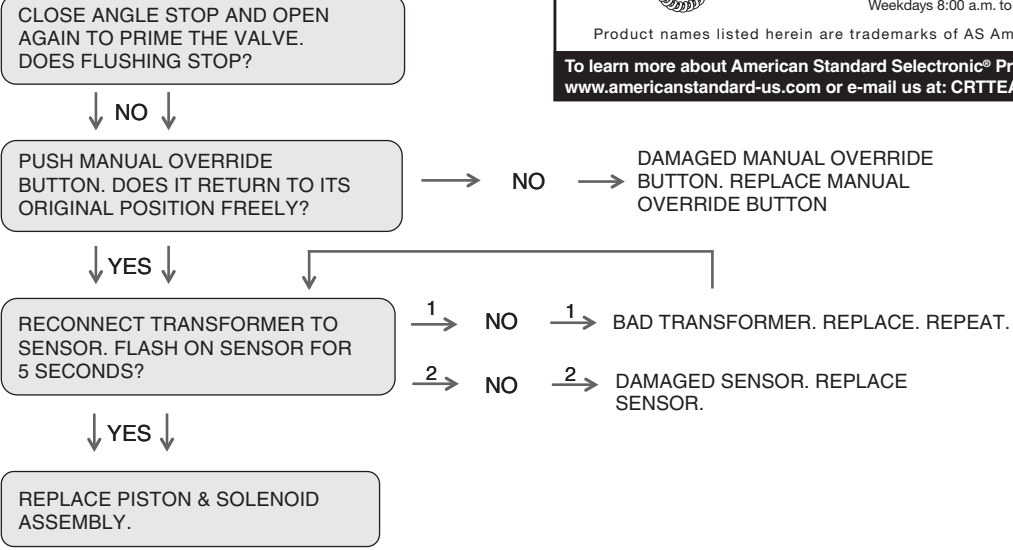


TROUBLESHOOTING FLOW CHARTS

UNIT DOES NOT FUNCTION



UNIT IS CONTINUOUSLY FLUSHING



HOT LINE FOR HELP

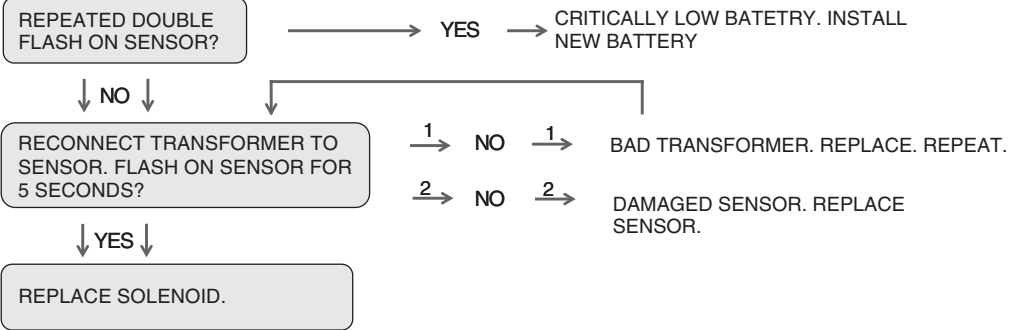
For toll-free information and answers to your questions, call:

(844) CRT-TEAM / (844) 278-8326
 Mon.-Fri. 8:00 a.m. to 8:00 p.m. EST Sat. 10:00 a.m. to 4:00 p.m. EST
 IN MEXICO 01-800-839-1200
 IN CANADA 1-800-387-0369 (TORONTO 1-905-306-1093)
 Weekdays 8:00 a.m. to 7:00 p.m. EST

Product names listed herein are trademarks of AS America, Inc. ©2016

To learn more about American Standard Selectronic® Products visit our website at: www.americanstandard-us.com or e-mail us at: CRTEAM@americanstandard.com

UNIT WILL ONLY FLUSH MANUALLY

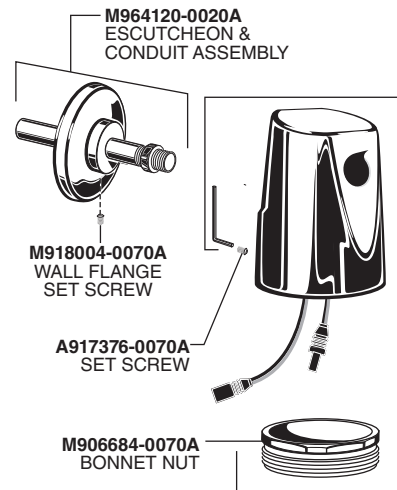


American Standard

BEFORE NOVEMBER 2017

SELECTRONIC®
AC POWERED PROXIMITY
EXPOSED URINAL FLUSH VALVE
0.125 0.25 0.5 & 1.0 GPF

MODEL NUMBERS			
606B.101	606B.051	606B.025	606B.013



M964120-0020A
 ESCUTCHEON &
 CONDUIT ASSEMBLY

M918004-0070A
 WALL FLANGE
 SET SCREW

A917376-0070A
 SET SCREW

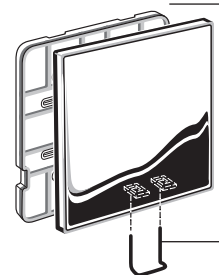
M906684-0070A
 BONNET NUT

M964943-0020130A
 COVER ASSEMBLY (0.125 gpf)

M964943-0020250A
 COVER ASSEMBLY (0.25 gpf)

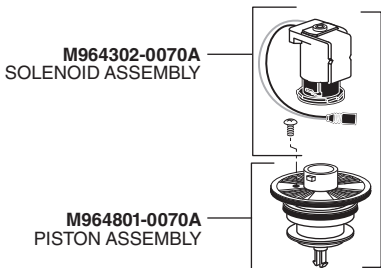
M964943-0020500A
 COVER ASSEMBLY (0.5 gpf)

M964943-0021000A
 COVER ASSEMBLY (1.0 gpf)



M964015-0020A
 COVER PLATE
 ASSEMBLY

A922270-0070A
 U-KEY



M964302-0070A
 SOLENOID ASSEMBLY

M964801-0070A
 PISTON ASSEMBLY

M964802-0070A
 SOLENOID & PISTON
 SUBASSEMBLY

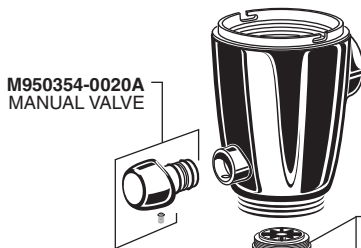


M950319-0070130A
 SENSOR ASSEMBLY
 (0.125 gpf)

M950319-0070300A
 SENSOR ASSEMBLY
 (0.25 gpf)

M950319-0070500A
 SENSOR ASSEMBLY
 (0.5 gpf)

M950319-0071000A
 SENSOR ASSEMBLY
 (1.0 gpf)



M950354-0020A
 MANUAL VALVE

A912809-0070A
 O-RING

M964945-0020A
 ADJUSTABLE TAILPIECE
 (4-1/4" to 5-1/4" Rough-in)

OPTIONAL ADJUSTABLE TAILPIECE
 (Purchased Separately)

M962836-0020A (8-1/4" to 9-1/4" Rough-in)

M962835-0020A (7-1/4" to 8-1/4" Rough-in)

M962834-0020A (6-1/4" to 7-1/4" Rough-in)

M962833-0020A (5-1/4" to 6-1/4" Rough-in)

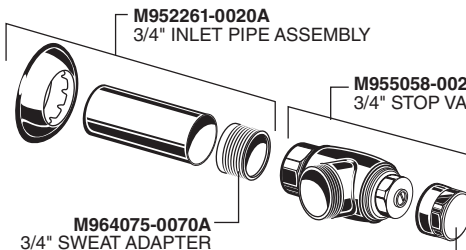
M962801-0070A
 FLOW REGULATOR
 (Before July 2015)

M923189-0070A
 FLOW REGULATOR
 (After July 2015)



M964402-0070A
 VACUUM BREAKER KIT

M964412-0020A
 3/4" VACUUM
 BREAKER KIT



M952261-0020A
 3/4" INLET PIPE ASSEMBLY

M955058-0020A
 3/4" STOP VALVE KIT

M964075-0070A
 3/4" SWEAT ADAPTER

M924347-0020A
 STOP VALVE CAP



M952262-0020A
 ESCUTCHEON KIT

POWER KITS

Hard-Wired AC

M950399-0070A
 SINGLE AC
 ADAPTER

M950360-0070A
 CONNECTOR
 LOCKING DEVICE

M950511-0070A
 10' EXTENSION
 CABLE

M950520-0070A
 HARD-WIRED AC
 TRANSFORMER

Multi-AC

M950512-0070A
 Y-ADAPTER

M950511-0070A
 10' EXTENSION

HOT LINE FOR HELP
 For toll-free information and answers to your questions, call:
 (844) CRT-TEAM / (844) 278-8326
 Mon. - Fri. 8:00 a.m. to 8:00 p.m. EST Sat. 10:00 a.m. to 4:00 p.m. EST
 IN MEXICO 01-800-839-1200
 IN CANADA 1-800-387-0369 (TORONTO 1-905-306-1093)
 Weekdays 8:00 a.m. to 7:00 p.m. EST

Product names listed herein are trademarks of AS America, Inc. ©2016

To learn more about American Standard Selectronic® Products visit our website at:
www.americanstandard-us.com or e-mail us at: CRTEAM@americanstandard.com

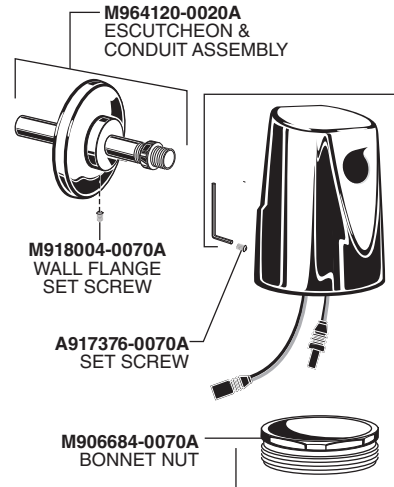
PART OF **LIXIL**

American Standard

AFTER NOVEMBER 2017

SELECTRONIC®
AC POWERED PROXIMITY
EXPOSED URINAL FLUSH VALVE
0.125 0.25 0.5 & 1.0 GPF

MODEL NUMBERS			
606B.101	606B.051	606B.025	606B.013



M964120-0020A
ESCUTCHEON &
CONDUIT ASSEMBLY

M918004-0070A
WALL FLANGE
SET SCREW

A917376-0070A
SET SCREW

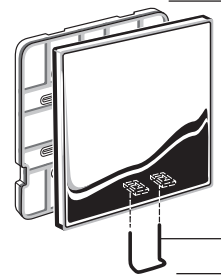
M906684-0070A
BONNET NUT

M970345-0020130A
COVER ASSEMBLY (0.125 gpf)

M970345-0020250A
COVER ASSEMBLY (0.25 gpf)

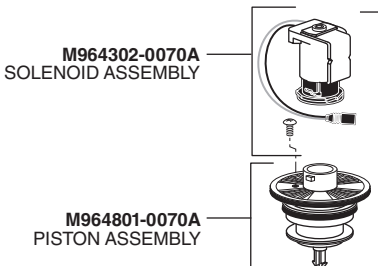
M970345-0020500A
COVER ASSEMBLY (0.5 gpf)

M970345-0021000A
COVER ASSEMBLY (1.0 gpf)



M964015-0020A
COVER PLATE
ASSEMBLY

A922270-0070A
U-KEY



M964302-0070A
SOLENOID ASSEMBLY

M964801-0070A
PISTON ASSEMBLY

M964802-0070A
SOLENOID & PISTON
SUBASSEMBLY

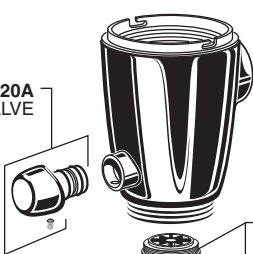


M950319-0070130A
SENSOR ASSEMBLY
(0.125 gpf)

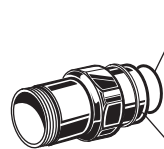
M950319-0070300A
SENSOR ASSEMBLY
(0.25 gpf)

M950319-0070500A
SENSOR ASSEMBLY
(0.5 gpf)

M950319-0071000A
SENSOR ASSEMBLY
(1.0 gpf)



M950354-0020A
MANUAL VALVE



M964945-0020A
ADJUSTABLE TAILPIECE
(4-1/4" to 5-1/4" Rough-in)

OPTIONAL ADJUSTABLE TAILPIECE
(Purchased Separately)

M962836-0020A (8-1/4" to 9-1/4" Rough-in)

M962835-0020A (7-1/4" to 8-1/4" Rough-in)

M962834-0020A (6-1/4" to 7-1/4" Rough-in)

M962833-0020A (5-1/4" to 6-1/4" Rough-in)

M962801-0070A
FLOW REGULATOR
(Before July 2015)

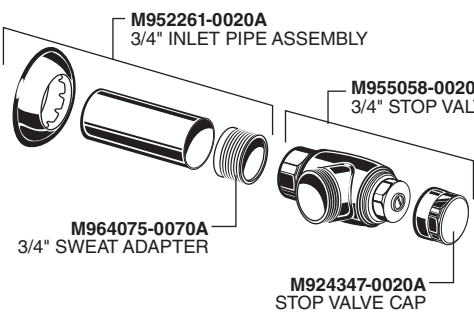
M923189-0070A
FLOW REGULATOR
(After July 2015)



M964402-0070A
VACUUM BREAKER KIT



M964412-0020A
3/4" VACUUM
BREAKER KIT

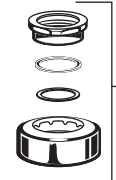


M952261-0020A
3/4" INLET PIPE ASSEMBLY

M955058-0020A
3/4" STOP VALVE KIT

M964075-0070A
3/4" SWEAT ADAPTER

M924347-0020A
STOP VALVE CAP



M952262-0020A
ESCUTCHEON KIT

POWER KITS

Hard-Wired AC

M950399-0070A
SINGLE AC
ADAPTER

M950360-0070A
CONNECTOR
LOCKING DEVICE

M950511-0070A
10' EXTENSION
CABLE

M950520-0070A
HARD-WIRED AC
TRANSFORMER

Multi-AC

M950512-0070A
Y-ADAPTER

M950511-0070A
10' EXTENSION

HOT LINE FOR HELP
 For toll-free information and answers to your questions, call:
 (844) CRT-TEAM / (844) 278-8326
 Mon. - Fri. 8:00 a.m. to 8:00 p.m. EST Sat. 10:00 a.m. to 4:00 p.m. EST
 IN MEXICO 01-800-839-1200
 IN CANADA 1-800-387-0369 (TORONTO 1-905-306-1093)
 Weekdays 8:00 a.m. to 7:00 p.m. EST

Product names listed herein are trademarks of AS America, Inc. ©2016

To learn more about American Standard Selectronic® Products visit our website at:
www.americanstandard-us.com or e-mail us at: CRTTEAM@americanstandard.com

PART OF LIXIL