

WALK-IN BATH 2848.309 VALUE SERIES



American Standard

The American Standard 28" x 48" Gelcoat walk-in bath provides a similar bathing experience to larger models but fits in smaller spaces and uses less water. The included tub extender allows this tub to retrofit in the same space as a standard bathtub. The full sized, contoured door with a low door threshold allows ease of entry and exit.

Fully equipped, the 309 Value Series-available only at Lowe's offers all the latest in safety and comfort features bundled together at one low cost and backed by a lifetime warranty on the door seal, a 10 year warranty on the tub shell and a 5 year warranty on all other components.

Whirlpool Massage



A soothing and invigorating water jet massage system, the Whirlpool massage features an in-line heater and Legs-Only massage. Customize back and leg muscle therapies with 8 different water jets. The Whirlpool Spa is combined with all of the features of the Soaker Tub providing an enhanced therapeutic bathing experience.

Air Spa Massage



Experience a soft and caressing all-over body massage powered by a single speed heated blower that releases thousands of air bubbles rising throughout the water from 21 different air jets. The automatic purge cycle helps keep the system running efficient and clean. The Air Spa is combined with all of the features of the Soaker Tub providing an enhanced therapeutic bathing experience.

Combination System



Combines all of the features of the Soaker Tub, the Air Spa and the Whirlpool Massage Systems for the ultimate therapeutic bathing experience.

Quick Drain® System



Spend less time waiting with this patented innovation, that requires no additional plumbing, once activated it rapidly pumps the water out from within the tub-making it safe to open the door and exit the tub. Included in all systems.

2848.309 VALUE SERIES 28" X 48" WALK-IN BATH

2848.309.SXX Soaking Tub

- Tub Extender Kit to fill 60" space
- Available in White or Linen and in Left Hand or Right Hand Door/Drain Configuration
- Watertight door system with a lifetime warranty on the door seal
- Built-in chair height seat
- Color matched trim and cable driven waste and overflow
- Built-in safety bar and textured tub floor
- Patented Quick Drain® fast water removal system
- Premium tub faucet and handheld showering wand

2848.309.WXX Whirlpool Massage System

Combines all of the features of the Soaking Tub, plus:

- 8 massage jets with variable flow
- Legs-only massage
- Whirlpool in-line heater

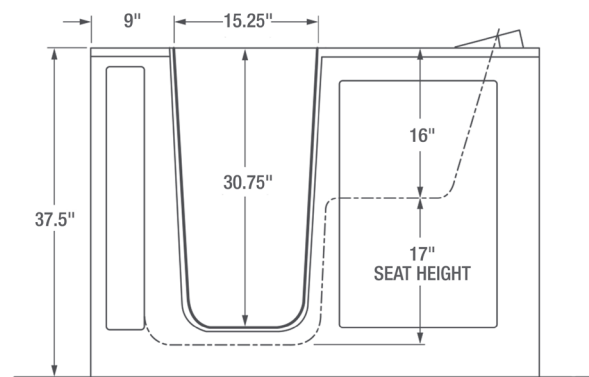
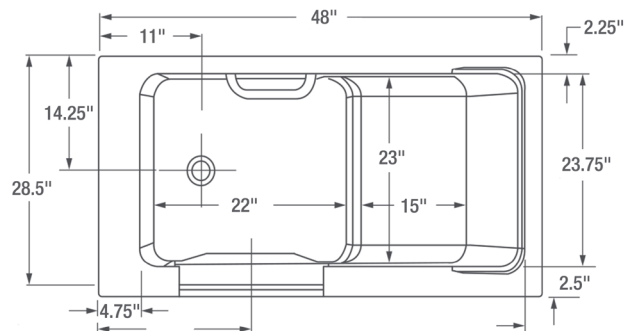
2848.309.AXX Air Spa System

Combines all of the features of the Soaking Tub, plus:

- 21 seat and floor air injectors
- Single speed heated blower
- Automatic purge cycle

2848.309.CXX Combination System

Combines all of the features of the Soaker Tub, the Whirlpool Massage and the Air Spa Systems for the ultimate therapeutic bathing experience.



GENERAL SPECIFICATIONS FOR 2848.309.XXX WALK-IN BATHTUB

INSTALLED SIZE _____ 48 x 28 x 38 In. (1219 x 711 x 965mm)
 WEIGHT _____ 150 Lbs. (68 Kg.)
 WEIGHT w/WATER _____ 528 Lbs. (238 Kg.)
 OPERATING GALLON _____ 45 Gal. (170 L.)
 FLOOR LOADING _____ 56 Lbs./Sq. Ft. (275 Kgs/Sq. m.)
 (PROJECTED AREA)
 CUBE (FT³) _____ 28.8

To Be Specified - Required:

- Drain Configuration: Left (L) or Right (R)
- Color: White (W) or Linen (L)

Options:

- Handshower Glide Bar: 9HSB
- 24 inch Grab Bar: 9GB-24
- Neck Rest: 9NR



Products with the Arthritis Foundation's Ease of UseSM Commendation are tested and proven to make daily tasks easier. Learn more at arthritis.org/easeofuse.

Notes: The whirlpool heater is designed to maintain water temperature during operation. It will not heat cold water to desired bathing temperature. Tub is supported by the frame and five integrated adjustable feet, no additional support required. Refer to installation instructions supplied with tub for additional information. Provide suitable reinforcement to sub floor for all supports.

Our products are in compliance with the following codes: Uniform Plumbing Code UPC®; National Plumbing Code of Canada; International Plumbing Code IPC®

Our products conform to the following standards: ASME A112.19.7, ASME A112.19.15; CSA B45, CSA B45.5; CSA C22.2 No. 218.2; UL-1795; ANSI Z124.1.2

Our products are listed with: c ETL us

IMPORTANT: Dimensions of fixtures are nominal, may vary and are subject to change or cancellation. No responsibility is assumed for use of superseded or voided leaflet.

American Standard