

NEW **M**MOLDED-STONE® LAUNDRY TUBS



LTD II FLTD II

Molded-Stone® Serv-A-Sink® Twin Compartment Laundry Tubs

FEATURES

- **LTD II Wall Hung Serv-A-Sink®**

Model LTD II Twin Tub is furnished with and supported by two mounting brackets of heavy gauge galvanized steel capable of being secured to the wall with mechanical fasteners. Model LTD II side fillers, which are assembled in the field to the mounting brackets, are made of white molded plastic polymer. LTD II is supplied with 4" (102mm) or 8" (203mm) knockout center set faucet holes which are field drilled.

- **FLTD II Floor Mounted Serv-A-Sink®**

Model FLTD II Twin Tub is furnished with and supported by white baked enamel steel angle legs that slip into molded retainers and/or sockets for rigid friction fit. Legs are supplied with leveling devices.

NOTES

- Model LTD II Twin Tub has overall outside dimensions of 40" x 24" x 13⁷/₈" (1016 x 610 x 352), and inside dimensions (each compartment) of 19" x 18⁷/₈" x 12¹/₂" (483 x 479 x 318).
- Model FLTD II Twin Tub has overall outside dimensions of 40" x 24" x 13⁷/₈" (1016 x 610 x 352), and inside dimensions (each compartment) of 19" x 18⁷/₈" x 12¹/₂" (483 x 479 x 318).
- Shipping weights: LTD II - 34 lbs
FLTD II - 36 lbs

OPTIONS

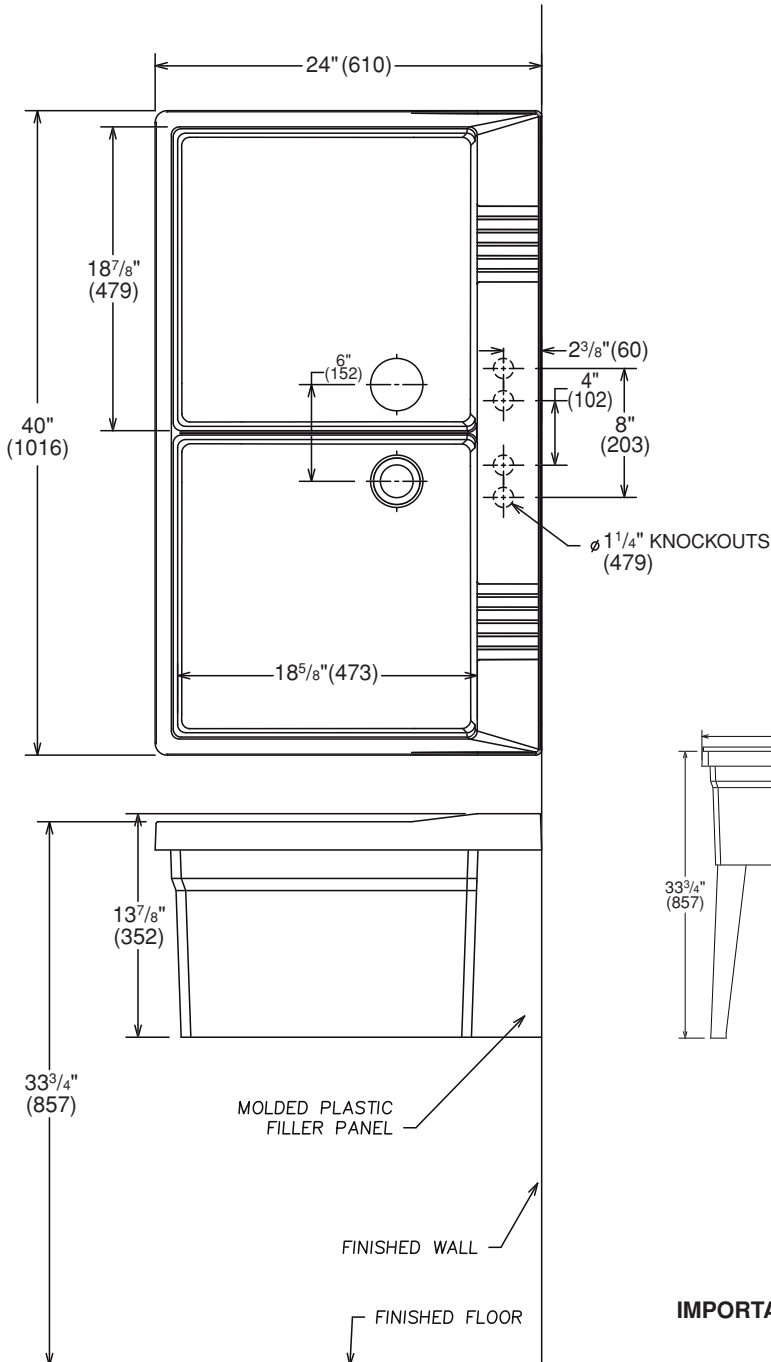
- Deck type faucet (4" [102mm] center set) with 6³/₄" (171mm) spout. (A-1)

MOLDED-STONE® LAUNDRY TUBS

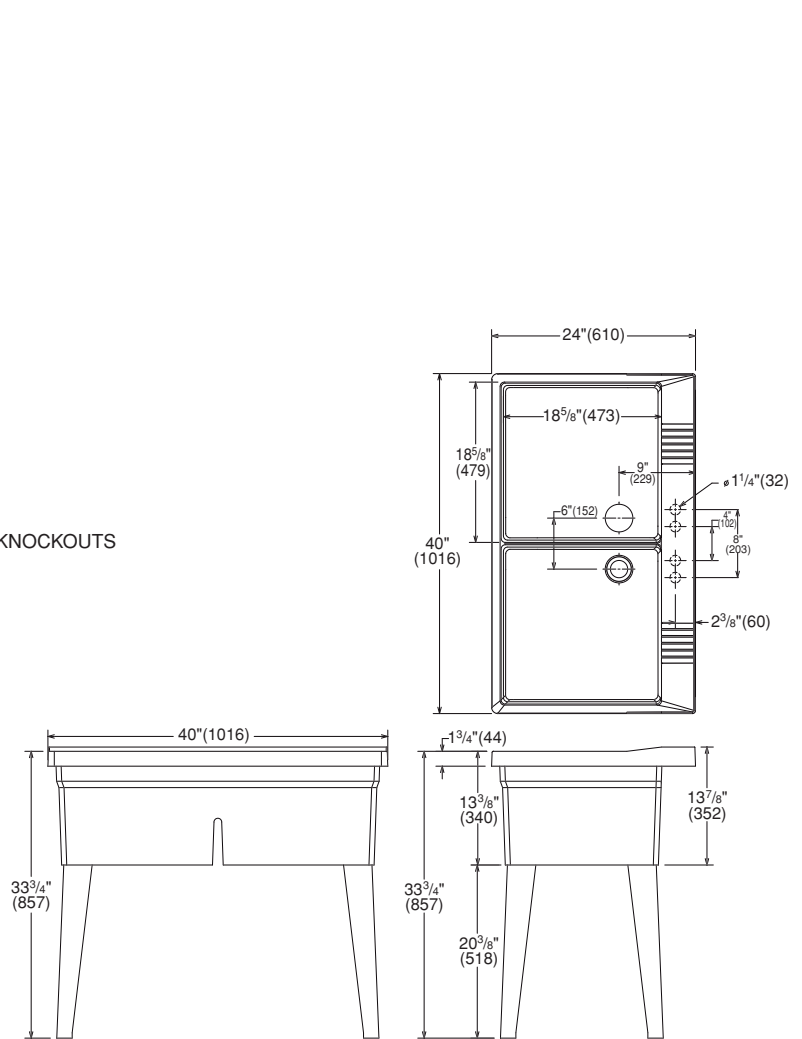
LTD II FLTD II

Molded-Stone® Serv-A-Sink® Twin Compartment Laundry Tubs

MODEL LTD // WALL HUNG



MODEL FLTD // FLOOR MOUNTED



IMPORTANT: Roughing-in dimensions may vary 1/2" and are subject to change or cancellation without prior notice.