

# MOLDED-STONE® LAUNDRY TUBS

## L-7 / FL-7

### Molded-Stone® Serv-A-Sink® Single Compartment Laundry Tubs



## FEATURES

- **L-7 Wall Hung Serv-A-Sink®**

Model L-7 Single Tub is furnished with and supported by a mounting bracket of heavy gauge galvanized steel capable of being secured to the wall with mechanical fasteners. Model L-7 side fillers and bottom tub support, which are assembled in the field to the mounting bracket are made of white molded plastic polymer. Model L-7 has an integral drain and is available in 4" or 8" knockout center which are field drilled.

- **FL-7 Floor Mounted Serv-A-Sink®**

FL-7 Single Tub is furnished with and supported by white baked enamel steel angle legs that slip into molded retainers and/or sockets for rigid friction fit. Legs are supplied with leveling devices. Model FL-7 has an integral drain and is available in 4" or 8" knockout centers which are field drilled.

## NOTES

- Model L-7 has an overall outside dimensions of 24" x 20" x 13 3/8", and inside compartment dimensions of 20 1/8" x 17 3/4" x 11 5/8".
- Model FL-7 has an overall outside dimensions of 24" x 20" x 13 3/8", and inside compartment dimensions of 20 1/8" x 17 3/4" x 11 5/8".

## OPTIONS

- Deck type faucet (4" center set) with 6 3/4" spout. (A-1)
- Overflow pipe with "O" ring to fit 1 1/2" strainer. (A-2)
- Polypropylene faucet block, 5 1/8" x 1 1/2" x 1 1/4" for installing clamp-on or integral clamp faucets to deck to accept overhead water supplies. (A-3)
- Faucet for top supplies. Clamps on with swing spout and angled nose end. (A-17)
- Deck type faucet (8" center set) with spout. (A-18)



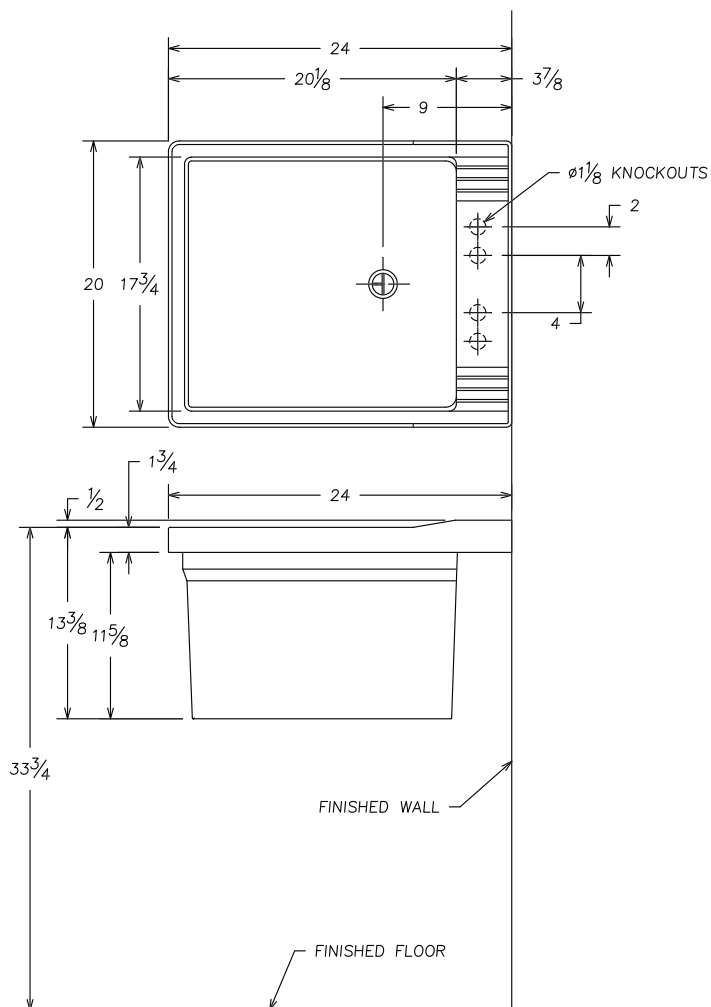
**FIAT PRODUCTS**  
A CRANE PLUMBING COMPANY

# MOLDED-STONE® LAUNDRY TUBS

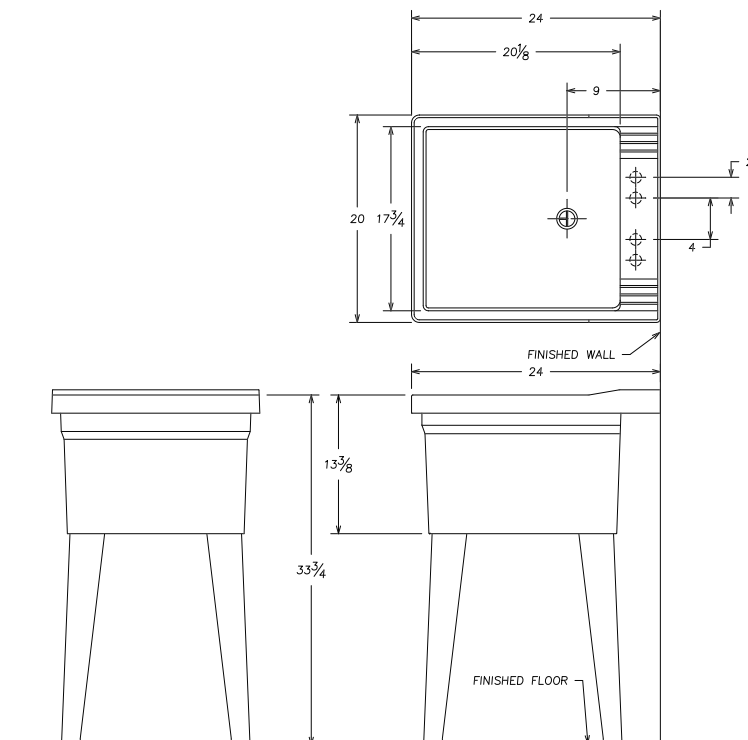
Molded-Stone® Serv-A-Sink® Single Compartment Laundry Tubs

## L-7 / FL-7

**MODEL L-7 WALL HUNG**



**MODEL FL-7 FLOOR MOUNTED**



**FIAT PRODUCTS**  
A CRANE PLUMBING COMPANY

**IMPORTANT:** Roughing-in dimensions may vary 1/2" and are subject to change or cancellation without prior notice.

CR/PL© 11/02 Printed in U.S.A