

**CADET™ ROUND FRONT 10" R TOILET**

**2798.010**

- Vitreous china
- Low-consumption (6.0 Lpf/1.6 gpf)
- 10" roughing-in
- Round front siphon action jetted bowl
- AquaForce flushing technology
- Fully glazed 2" **Ballpass** trapway
- Large 11" x 9" water surface area
- Close-coupled tank w/raised lip detail on tank cover
- Color-matched trip lever
- Speed Connect™ tank/bowl coupling system
- Sanitary bar on bowl
- 2 bolt caps
- 100% factory flush tested

**3454.016 Bowl**

**4110.016 Tank**

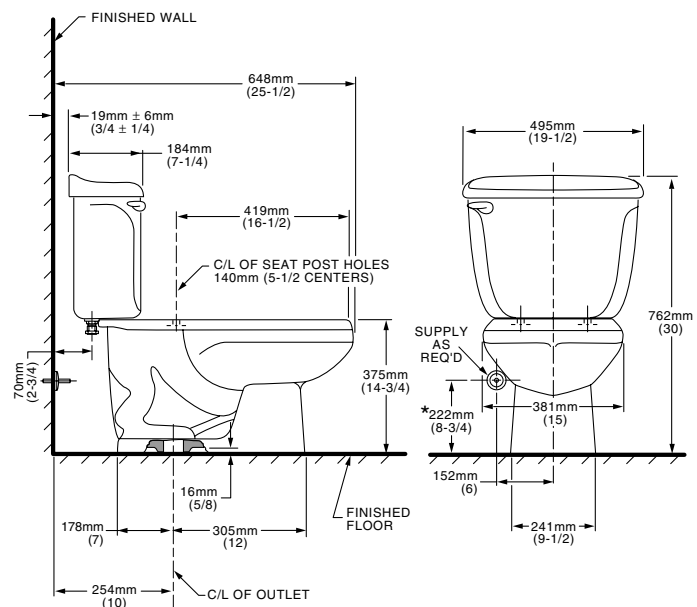
Nominal Dimensions:  
648 x 495 x 762mm  
(25-1/2" x 19-1/2" x 30")

Fixture only, seat and supply by others

**Alternate Tank Configurations Available:**

**4110.600** Tank complete w/Cover  
Locking Device

**4110.800** Tank complete w/Trip Lever  
Located on Right Side



**To Be Specified**

- Color:
- Seat: American Standard #5322.011 "Rise and Shine" (with easy to clean lift-off hinge system) solid plastic closed front seat with cover. See page TB-001.
- Seat: American Standard #5308.014 "Laurel" molded closed front seat with cover. See page TB-001.
- Alternate Seat:
- Supply with stop:

**NOTES:**

THIS COMBINATION IS DESIGNED TO ROUGH-IN AT A MINIMUM DIMENSION OF 254MM (10") FROM FINISHED WALL TO C/L OF OUTLET.  
\* DIMENSION SHOWN FOR LOCATION OF SUPPLY IS SUGGESTED.  
SUPPLY NOT INCLUDED WITH FIXTURE AND MUST BE ORDERED SEPARATELY.  
IMPORTANT: Dimensions of fixtures are nominal and may vary within the range of tolerance established by ANSI Standard A112.19.2  
These measurements are subject to change or cancellation. No responsibility is assumed for use of superseded or voided pages.

**Compliance Certifications -**

**Meets or Exceeds the Following Specifications:**

- ASME A112.19.2M (and 19.6M) for Vitreous China Fixtures - includes Flush Performance, Ball Pass Diameter, Trap Seal Depth and all Dimensions

**CADET™ ROUND FRONT TOILET**

**2798.012**

- Vitreous china
- Low-consumption (6.0 Lpf/1.6 gpf)
- Round front siphon action jetted bowl
- Fully glazed 2" **Ballpass** trapway
- AquaForce flushing technology
- Large 11" x 9" water surface area
- Close-coupled tank w/raised lip detail on tank cover
- Color-matched trip lever
- Speed Connect™ tank/bowl coupling system
- Sanitary bar on bowl
- 2 bolt caps
- 100% factory flush tested

**3454.016** Bowl

**4112.016** Tank

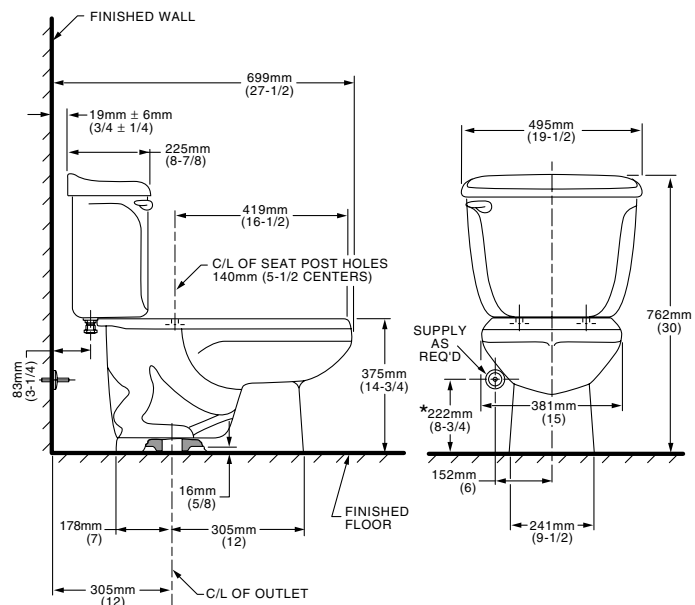
Nominal Dimensions:

699 x 495 x 762mm (27-1/2" x 19-1/2" x 30")

Fixture only, seat and supply by others

**Alternate Tank Configurations Available:**

- 4112.500** Tank complete w/Aquaguard Liner
- 4112.600** Tank complete w/Cover Locking Device
- 4112.700** Tank complete w/Aquaguard Liner and Cover Locking Device
- 4112.800** Tank complete w/Trip Lever Located on Right Side



**NOTES:**

THIS COMBINATION IS DESIGNED TO ROUGH-IN AT A MINIMUM DIMENSION OF 305MM (12") FROM FINISHED WALL TO C/L OF OUTLET.

\* DIMENSION SHOWN FOR LOCATION OF SUPPLY IS SUGGESTED.

SUPPLY NOT INCLUDED WITH FIXTURE AND MUST BE ORDERED SEPARATELY.

IMPORTANT: Dimensions of fixtures are nominal and may vary within the range of tolerance established by ANSI Standard A112.19.2

These measurements are subject to change or cancellation. No responsibility is assumed for use of superseded or voided pages.

**Compliance Certifications -**

**Meets or Exceeds the Following Specifications:**

- ASME A112.19.2M (and 19.6M) for Vitreous China Fixtures - includes Flush Performance, Ball Pass Diameter, Trap Seal Depth and all Dimensions

**To Be Specified**

- Color:
- Seat: American Standard #5322.011 "Rise and Shine" (with easy to clean lift-off hinge system) solid plastic closed front seat with cover. See page TB-001.
- Seat: American Standard #5308.014 "Laurel" molded closed front seat with cover. See page TB-001.
- Alternate Seat:
- Supply with stop:

**CADET™ ROUND FRONT TOILET**

**2798.014**

- Vitreous china
- Low-consumption (6.0 Lpf/1.6 gpf)
- 14" roughing-in
- Round front siphon action jetted bowl
- AquaForce flushing technology
- Fully glazed 2" **Ballpass** trapway
- Large 11" x 9" water surface area
- Close-coupled tank w/raised lip detail on tank cover
- Color-matched trip lever
- Speed Connect™ tank/bowl coupling system
- Sanitary bar on bowl
- 2 bolt caps
- 100% factory flush tested

**3454.016 Bowl**

**4114.016 Tank**

Nominal Dimensions:  
749 x 495 x 762mm  
(29-1/2" x 19-1/2" x 30")

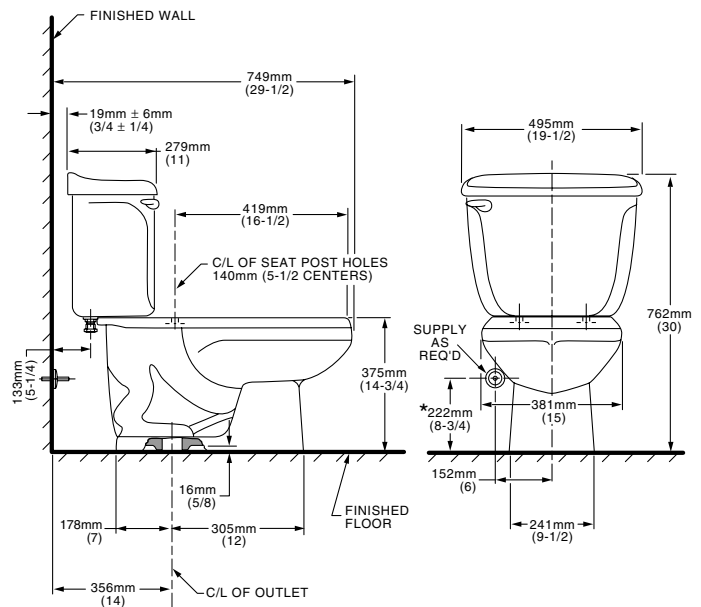
Fixture only, seat and supply by others

**Alternate Tank Configurations Available:**

- 4114.600** Tank complete w/Cover Locking Device
- 4114.800** Tank complete w/Trip Lever Located on Right Side

**To Be Specified**

- Color:
- Seat: American Standard #5322.011 "Rise and Shine" (with easy to clean lift-off hinge system) solid plastic closed front seat with cover. See page TB-001.
- Seat: American Standard #5308.014 "Laurel" molded closed front seat with cover. See page TB-001.
- Alternate Seat:
- Supply with stop:



**NOTES:**

THIS COMBINATION IS DESIGNED TO ROUGH-IN AT A MINIMUM DIMENSION OF 356MM (14") FROM FINISHED WALL TO C/L OF OUTLET.  
\* DIMENSION SHOWN FOR LOCATION OF SUPPLY IS SUGGESTED. SUPPLY NOT INCLUDED WITH FIXTURE AND MUST BE ORDERED SEPARATELY.  
IMPORTANT: Dimensions of fixtures are nominal and may vary within the range of tolerance established by ANSI Standard A112.19.2  
These measurements are subject to change or cancellation. No responsibility is assumed for use of superseded or voided pages.

**Compliance Certifications -**

**Meets or Exceeds the Following Specifications:**

- ASME A112.19.2M (and 19.6M) for Vitreous China Fixtures - includes Flush Performance, Ball Pass Diameter, Trap Seal Depth and all Dimensions