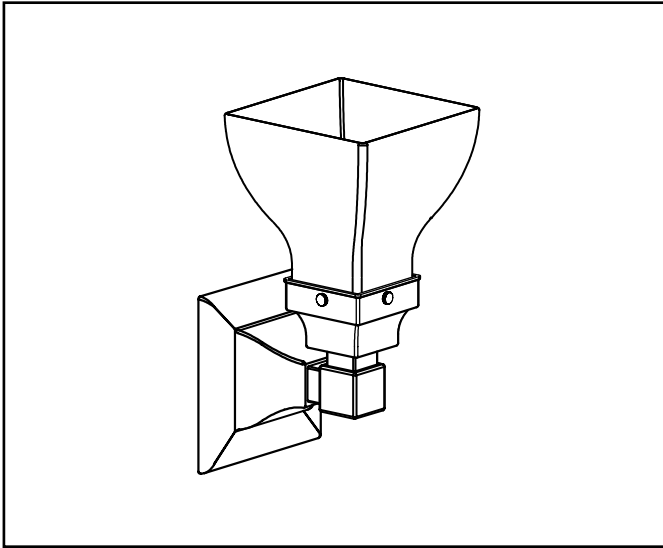


American Standard



TOWN SQUARE™ ACCESSORIES

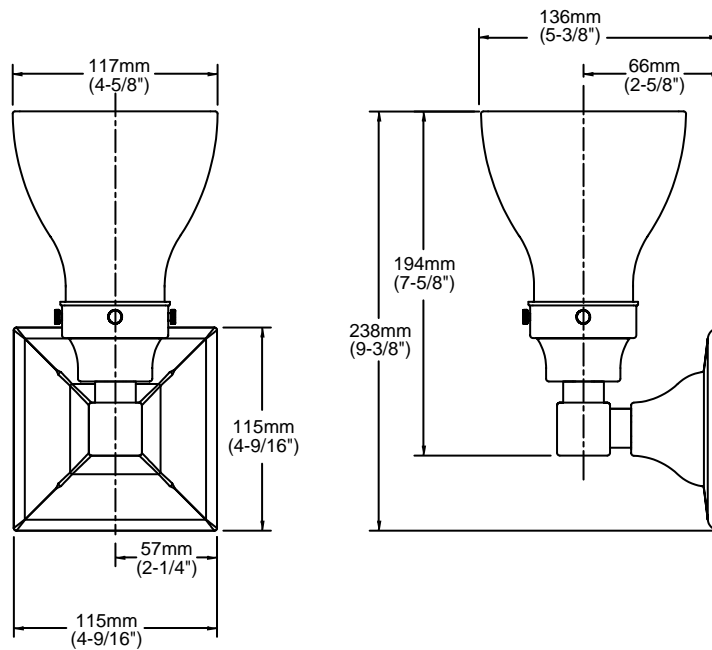
WALL SCONCE

MODEL NUMBER:

■ 2555.081 WALL SCONCE

Available Finishes

.002	Polished Chrome
.099	PVD Polished Brass
.295	PVD Satin



PRODUCT FEATURES:

Heavy duty construction: Highest quality materials for durability & long life.

Concealed Mounting

Materials of Construction: Body and Escutcheon - brass.
Lamp shade - Frosted glass.

Easy to Install

Choice of Finishes: To match Chrome, PVD Brass and Satin finishes. PVD finish on all Polished Brass and Satin components will never tarnish.

UL and cUL - listed

SUGGESTED SPECIFICATION:

Wall Sconce shall feature heavy - duty construction with tarnish free PVD finish on all Polished Brass and Satin components. Shall feature concealed mounting. Lamp shade shall be frosted glass. Wall Sconce shall be UL and cUL- listed. Wall Sconce shall be American Standard Model # 2555.081._____.