

VORMAX® UHET
RIGHT HEIGHT® ELONGATED TOILET

- 238AA.114
 - VorMax flushing technology cleans two times better than conventional toilets**
 - Combination bowl and tank, less seat
 - 12" (305 mm) rough-in
 - Right Height elongated siphon action bowl
 - Ultra-high efficiency toilet (UHET) 1.0 gpf/3.8 Lpf
 - Meets EPA WaterSense® and MaP Premium criteria
 - EverClean® Antimicrobial Surface
 - Transitional styling
 - Includes EZ-Install Tools
 - CleanCurve™ rim eliminates rim area where dirt and build-up hide
 - 16-1/2" (419 mm) rim height for accessible applications
 - 2-1/16" (52 mm) trapway
 - Dual injection flush valves
 - Chrome trip lever
 - Two color-matched bolt caps
 - 10 year warranty

- 238AA.115 Same as above except trip lever on right hand side
- 3385A.101 Right Height® Elongated Bowl
- 4385A.114 UHET Tank

Nominal Dimensions:
30-3/16" x 17-7/8" x 32-1/4"
(767 x 453 x 820mm)

Fixture only, seat and supply sold separately

Alternative Tank Configuration Available:

- 4385A.115 Tank complete with trip lever located on right side

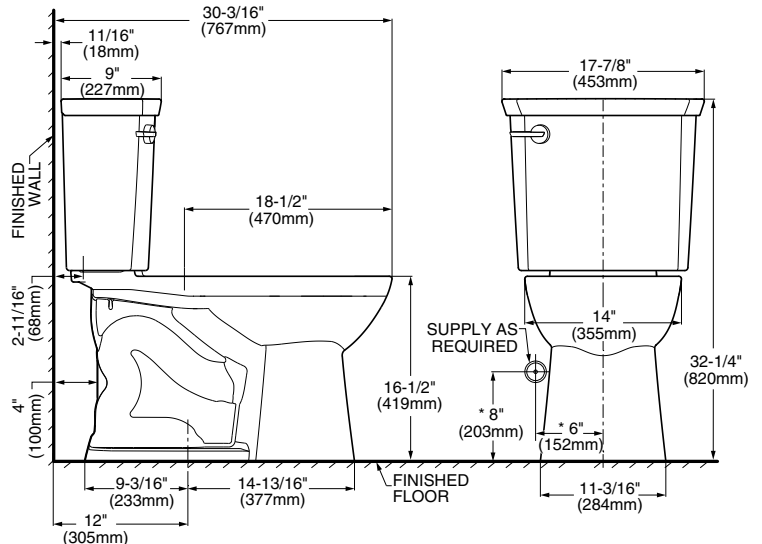
**Compliance Certifications -
Meets or Exceeds the Following Specifications:**

- ASME A112.19.2/CSA B45.1 for Vitreous China Fixtures
- US EPA WaterSense® Specification for UHETs

To Be Specified:

- Color: White
- Seat: #5055A.65C Elongated Slow Close solid plastic seat and cover
- Supply with stop:

** Source: IAPMO R&T Labs Test Report No. 109-141486-002, comparing VorMax against conventional under-the-rim-water-dispersal toilets from major retailers.



NOTES:
THIS TOILET IS DESIGNED TO ROUGH-IN AT A MINIMUM DIMENSION OF 305MM (12") FROM FINISHED WALL TO C/L OF OUTLET. SUPPLY NOT INCLUDED WITH FIXTURE AND MUST BE ORDERED SEPARATELY.
* DIMENSION SHOWN FOR LOCATION OF SUPPLY IS SUGGESTED.

IMPORTANT: Dimensions of fixtures are nominal and may vary within the range of tolerances established by ANSI Standard A112.19.2. These measurements are subject to change or cancellation. No responsibility is assumed for use of superseded or voided pages.

EVERCLEAN®
Surface

MEETS THE AMERICANS WITH DISABILITIES ACT GUIDELINES AND ICC ANSI A117.1 REQUIREMENTS FOR ACCESSIBLE AND USABLE BUILDING FACILITIES-CHECK LOCAL CODES.

