

Reliant 3

BATH AND SHOWER TRIM KITS

with EverClean™ Finish

Congratulations on purchasing your American Standard faucet with the EverClean finish, a feature found only on American Standard faucets.

EverClean Finish

- One wipe effortlessly removes spots.
- Eliminates the need for cleaners and scrubbing.
- Permanent surface protectant remains beautiful for the life of the faucet.

To ensure that your installation proceeds smoothly-please read these instructions carefully before you begin.



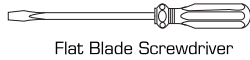
Certified to comply with ANSI A112.18.1

M968898

Required Tools



Phillips Screwdriver



Flat Blade Screwdriver



Plumbers' Putty or Caulking



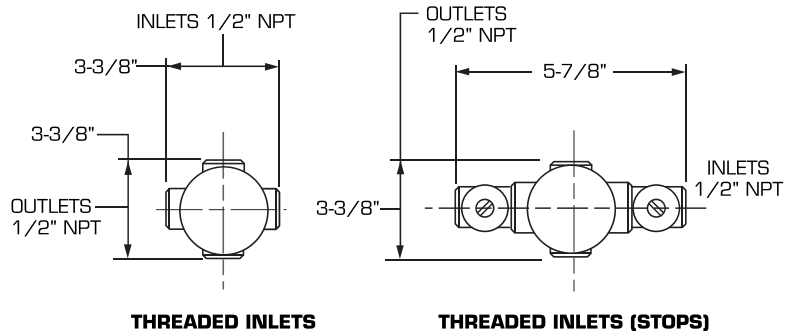
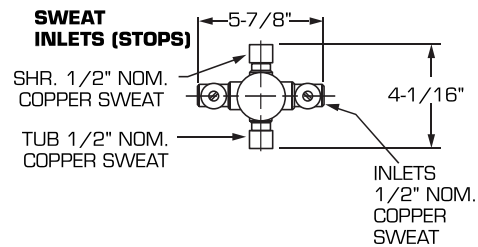
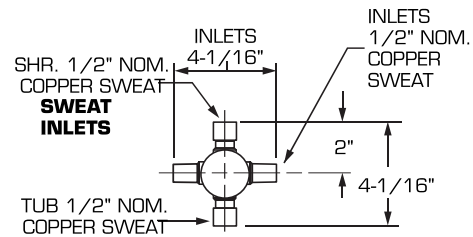
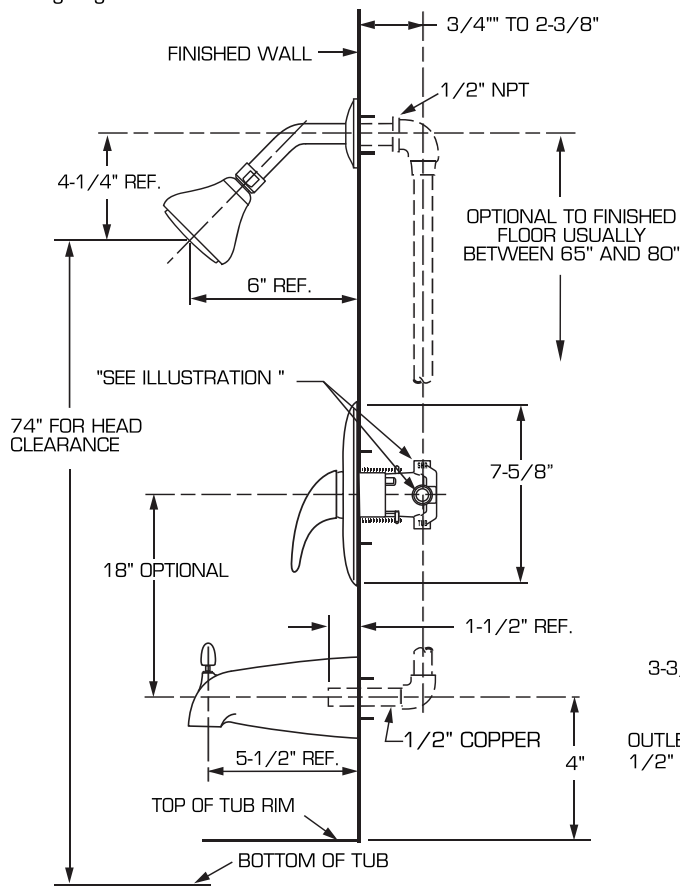
Channel Locks



Teflon Tape

ROUGHING-IN DIMENSIONS

- To assure proper positioning in relation to wall, note roughing-in dimensions.



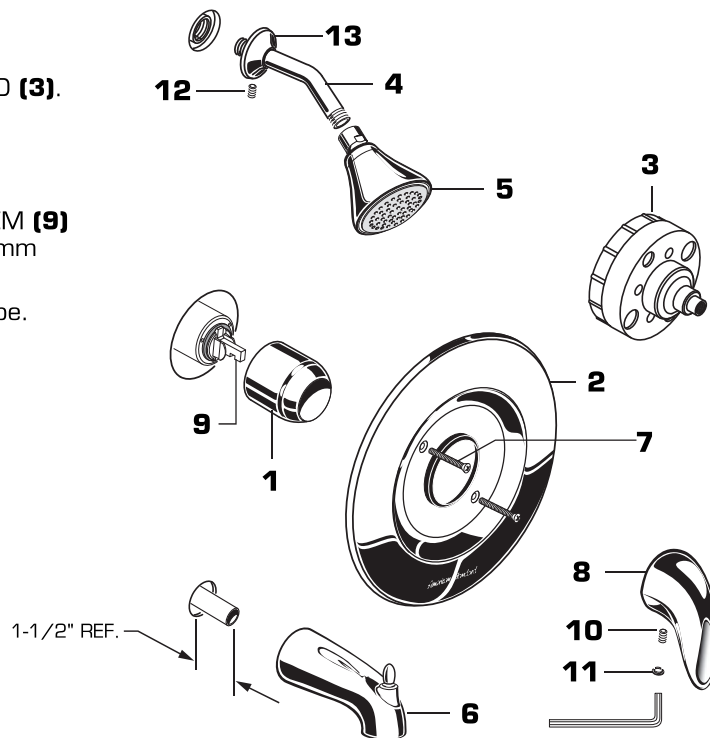
EverClean™ Finish Care Instructions

American Standard's EverClean finish will wipe clean with a soft, dry cloth. A soft cloth with clean water may also be used, if desired. No additional cleaning products are required.

DO NOT USE: Soaps, acid, polish, abrasives, harsh cleaners, or a cloth with a coarse surface.

1 INSTALL TRIM

- When finished tiling the wall, remove PLASTER GUARD (3). Push on CAP (1).
- Mount ESCUTCHEON (2) and with SCREWS (7).
- Install HANDLE (8) by pushing it onto CARTRIDGE STEM (9) and tightening SET SCREW (10) from below with 2.5mm Hex Wrench supplied. Insert INDEX BUTTON (11).
- Remove cap from tub supply and plug from shower pipe.
- Install SHOWER ARM (4) and FLANGE (13).
- Tighten SET SCREW (12) onto FLANGE (13) using 5/64" hex wrench.
- Install SHOWER HEAD (5) onto SHOWER ARM (4).
- Install DIVERTER SPOUT (6).

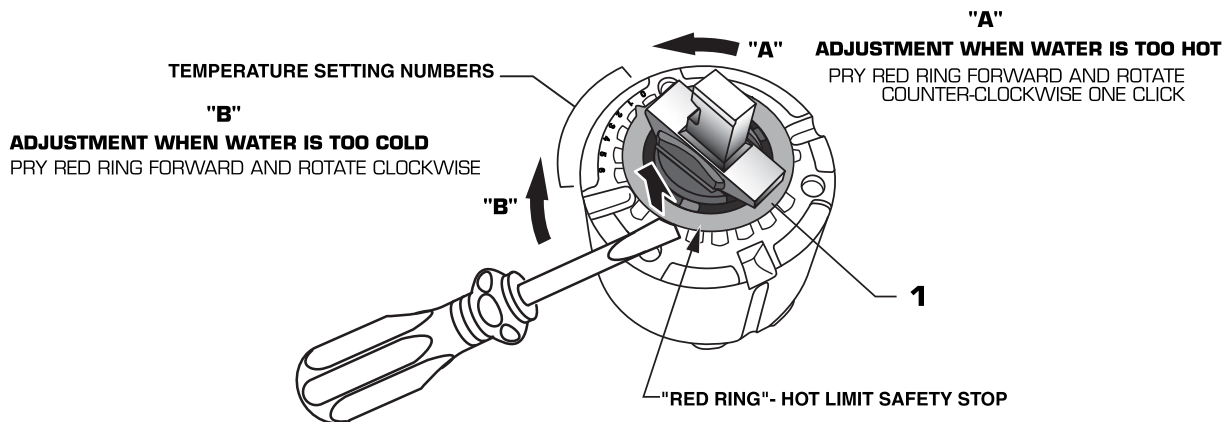


2 ADJUST HOT LIMIT STOP

HOT LIMIT SAFETY STOP ADJUSTMENT

By restricting handle rotation and limiting the amount of hot water allowed to mix with the cold, the HOT LIMIT SAFETY STOP reduces risk of accidental scalding. To set the maximum hot water temperature of your faucets, all you need to do is adjust the setting on the HOT LIMIT SAFETY STOP.

- Use a flat blade screwdriver or your fingers to pull up and rotate red HOT LIMIT SAFETY STOP (1). Follow Step "A" or "B" to adjust min./max. discharge temperature. "0" being the hottest to "7" the coldest temperature setting. Factory set at "0".



3 SERVICE

- If faucet drips, operate handle several times from "off" to "on". Do not apply excessive force.
- Clogged CARTRIDGE (4) inlets may cause reduced flow in "full on" hot or cold. To clean inlets, first turn off water supply, then:
 - Remove HANDLE (1), CAP (2) and CARTRIDGE (4). Clean inlets and MANIFOLD (5).
 - Reassemble CARTRIDGE (4), alternately tightening SCREWS (3).
 - Replace CAP (2) and HANDLE (1). Check flow.

