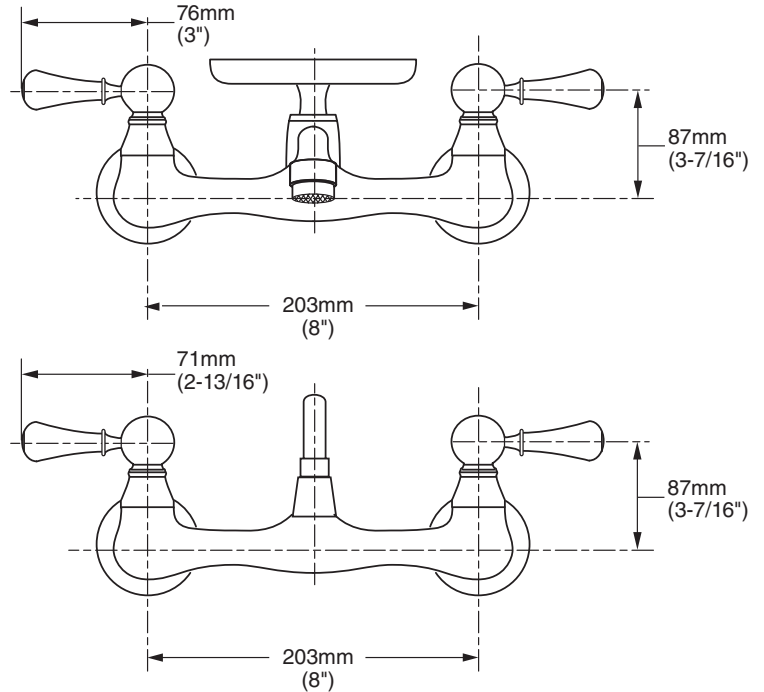
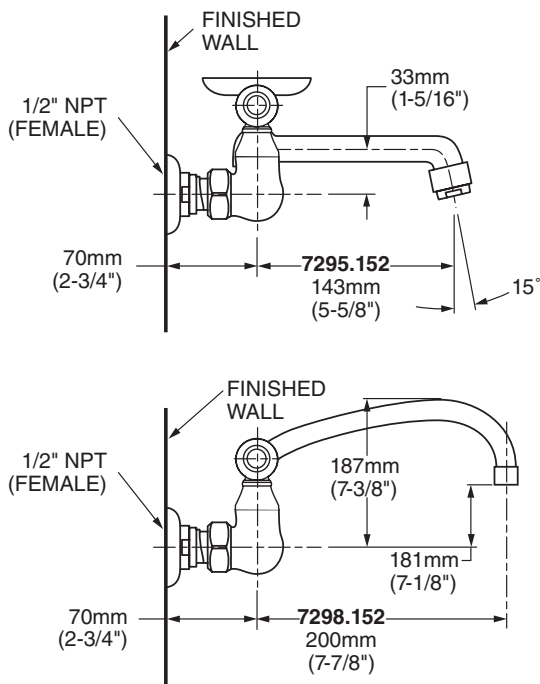


7295.252 Shown

MODEL NUMBER:

- 7295.252 Wall-Mount Sink Faucet**
 5-5/8" cast swivel spout. Porcelain Lever Handles. Soap Dish.
- 7295.252.F15 Wall-Mount Sink Faucet**
 5-5/8" cast swivel spout. Porcelain Lever Handles. Soap Dish.
- 7298.252 Wall-Mount Sink Faucet**
 8" tubular swivel spout. Porcelain Lever Handles.
- 7298.252.F15 Wall-Mount Sink Faucet**
 8" tubular swivel spout. Porcelain Lever Handles.



GENERAL DESCRIPTION:

Durable brass construction throughout. Amaris 1/4 turn washerless ceramic disc valve cartridges. One-half inch NPT female inlets with brass coupling nuts. 2.2 gpm/8.3 L/min. maximum flow rate, 1.5 gpm/5.7 L/min, maximum flow rate for F15 models. Brass swivel spout (360° rotation).

PRODUCT FEATURES:

- Ceramic Disc Valve Cartridges:** Assures a lifetime of drip-free performance.
- Solid Brass Construction:** Durable - Excellent in high use applications. Ideal for prolonged contact with water.
- Lead Free:** Faucet contains ≤ 0.25% total lead content by weighted average.

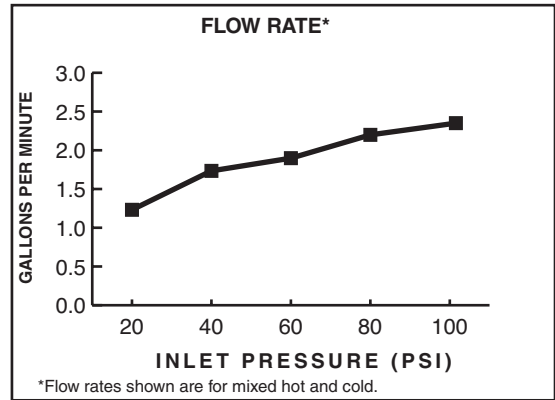
SUGGESTED SPECIFICATION:

Wall-mount sink faucet shall be cast brass construction with all brass coupling nuts. Shall also feature 1/4 turn washerless ceramic disc valve cartridges. Fitting shall be American Standard Models # 7295.252....., 7298.252.....,

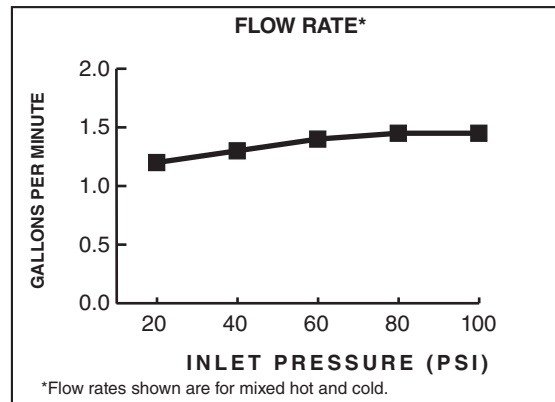
CODES AND STANDARDS

These products meet or exceed the following codes and standards:

- ANSI A117.1**
- ASME A112.18.1**
- CSA B 125**
- NSF 61/Section 9 & Annex G**




2.2 gpm/8.3 L/min. FLOW RATE



1.5 gpm/5.7 L/min. FLOW RATE

Product Number	Description	Finish
		Polished Chrome 002
7295.252	Wall-Mount Sink Faucet. 5-5/8" Cast Swivel Spout. Soap dish - 2.2 gpm/8.3 L/min. maximum flow rate	
7295.252.F15	Wall-Mount Sink Faucet. 5-5/8" Cast Swivel Spout. Soap dish - 1.5 gpm/5.7 L/min. maximum flow rate	
7298.252	Wall-Mount Sink Faucet. 8" Tubular Swivel Spout. Less soap dish - 2.2 gpm/8.3 L/min. maximum flow rate	
7298.252.F15	Wall-Mount Sink Faucet. 8" Tubular Swivel Spout. Less soap dish - 1.5 gpm/5.7 L/min. maximum flow rate	

 Meets the American Disabilities Act Guidelines and **ANSI A117.1** Requirements for the physically challenged.