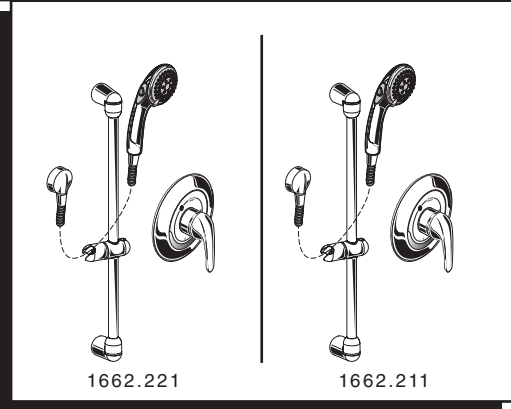


*American Standard*

# Installation Instructions

**COMMERCIAL SHOWER SYSTEM KITS: 1.5gpm & 2.5gpm**

**1662.221  
1662.211**



1662.221

1662.211

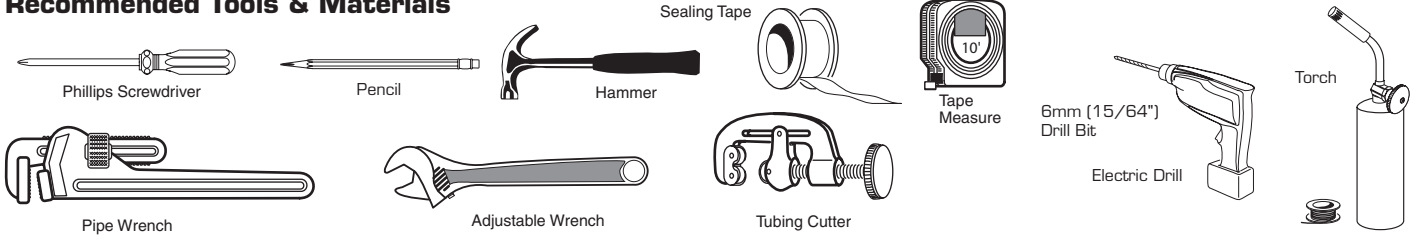
Certified to comply with ANSI A112.18.1  
M965116 REV. 1.1 (2/15)

*Thank you for selecting American-Standard...the benchmark of fine quality for over 100 years.*

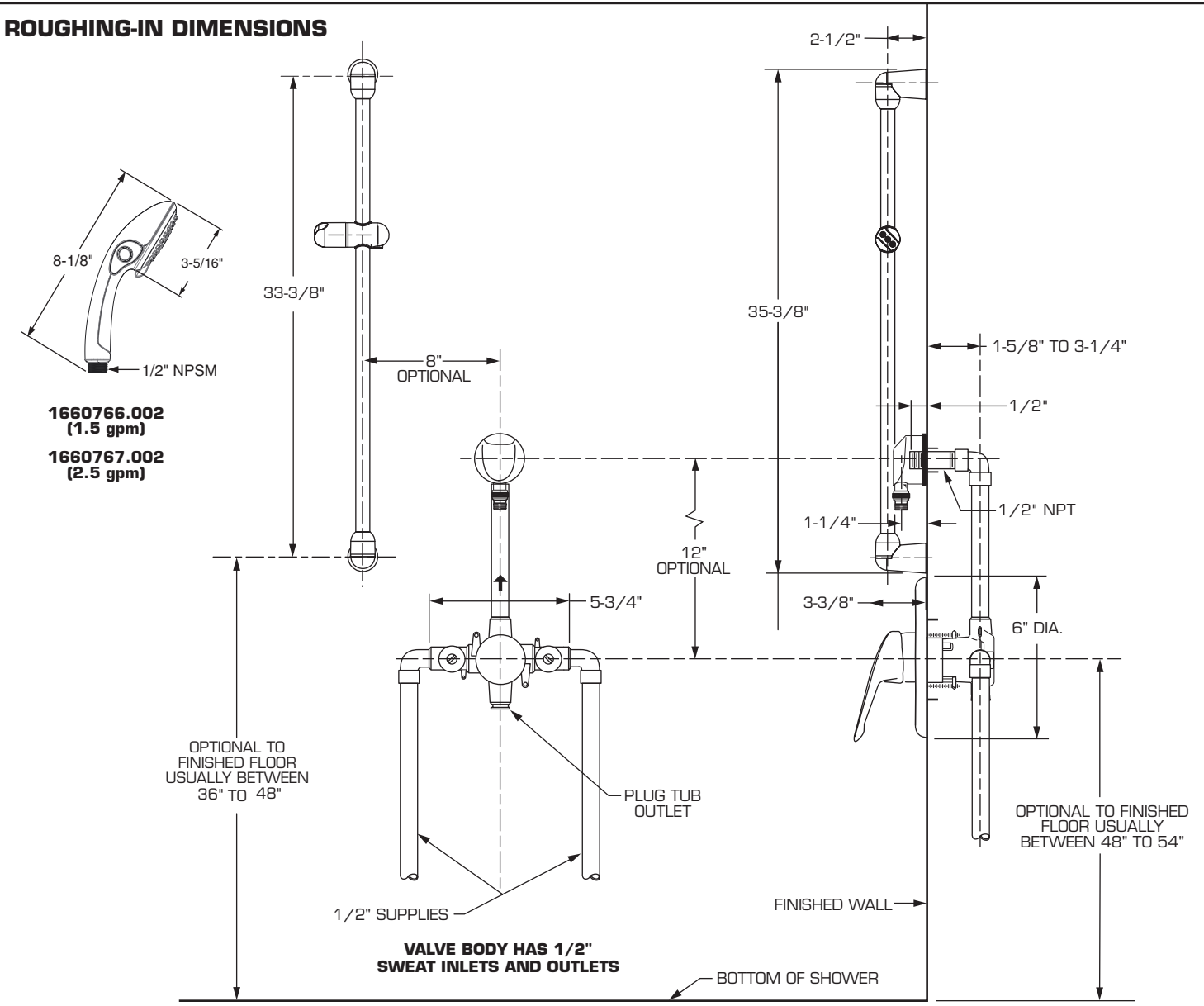
*To ensure that your installation proceeds smoothly—please read these instructions carefully before you begin.*

**Installation must conform to all local building codes.**

## Recommended Tools & Materials



## ROUGHING-IN DIMENSIONS



# 1 INSTALL THE R120SS VALVE BODY

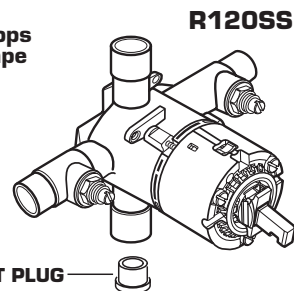
## NOTE

REFER TO INSTALLATION INSTRUCTIONS (M968387) SUPPLIED WITH VALVE BODY FOR COMPLETE INSTALLATION AND REPAIR PART INFORMATION.

## IMPORTANT

When soldering, remove **PLASTER GUARD, CARTRIDGES** and **CHECK STOPS (IF PRESENT)**. When finished soldering, flush valve body, replace cartridges, check stops (if present) and plaster guard to continue installation. Use thread sealant or Teflon tape on threaded connections.

- See Roughing-in diagram before starting.
- Connections are:
  - 1/2" copper sweat for sweat inlets
  - 1/2" copper sweat for sweat tub and shower outlets



1/2" SWEAT PLUG

# 2 MAKE ALL CONCEALED PIPING CONNECTIONS

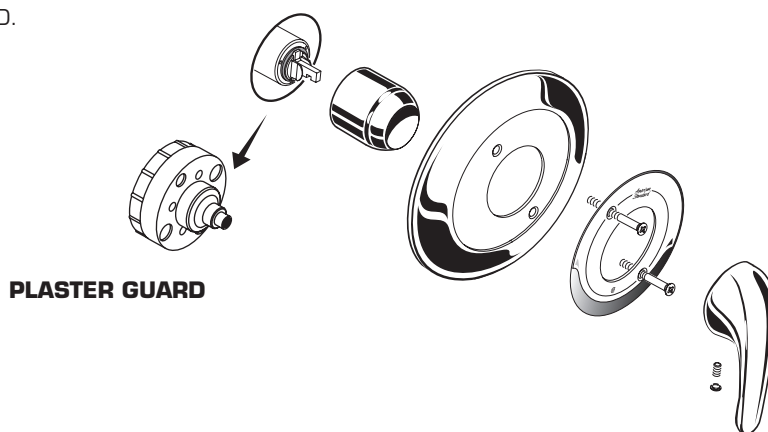
- See Roughing-in diagram before starting.
- Make Hot and Cold supply connections to the VALVE BODY. Inlet and outlet connections to the valve body are 1/2" copper sweat.
- Make the connections for the HAND SHOWER. The HAND SHOWER connection is 1/2" NPT.
- For support, use PIPE BRACES secured to wooden braces. Cap off HAND SHOWER. With the R120SS VALVE turned off, turn on water supplies. Check for leaks.
- Finish all wall construction.

# 3 INSTALL VALVE TRIM

## NOTE

REFER TO INSTALLATION INSTRUCTIONS (M968763) SUPPLIED WITH VALVE TRIM KIT FOR COMPLETE INSTALLATION AND REPAIR PART INFORMATION.

- When finished tiling the wall, remove PLASTER GUARD.
- Install VALVE TRIM.



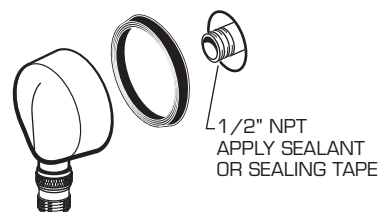
PLASTER GUARD

# 4 INSTALL WALL SUPPLY

## NOTE

REFER TO INSTALLATION INSTRUCTIONS (M968637) SUPPLIED WITH WALL SUPPLY FOR COMPLETE INSTALLATION AND REPAIR PART INFORMATION.

- Supply to WALL SUPPLY is 1/2" NPT. See rough-in above for detailed information.
- Apply sealant or sealing tape to threads of 1/2" NPT supply nipple.



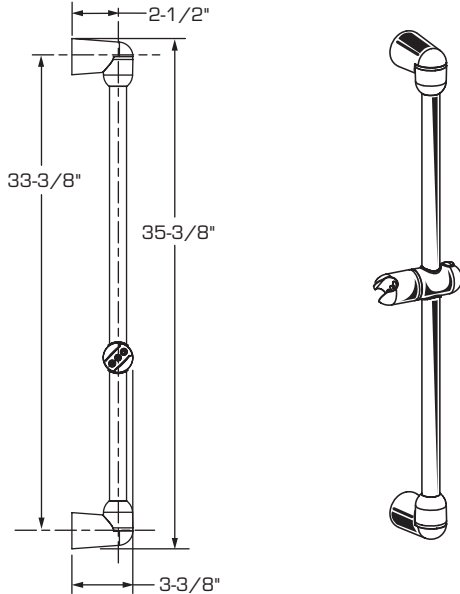
1/2" NPT  
APPLY SEALANT  
OR SEALING TAPE

## 5 INSTALL HAND SHOWER SLIDE BAR

### NOTE

REFER TO INSTALLATION INSTRUCTIONS (M968637) SUPPLIED WITH SHOWER SYSTEM KIT FOR COMPLETE INSTALLATION AND REPAIR PART INFORMATION.

- The height and location of the SLIDE BAR is optional. It can be installed to the right or left side of the R120SS VALVE.

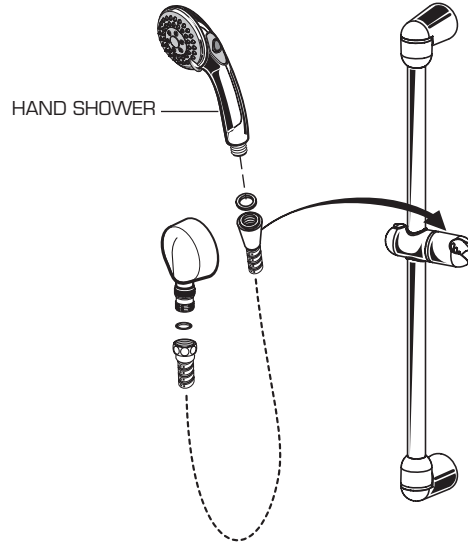


## 6 INSTALL HOSE AND HAND SHOWER TEST SHOWER SYSTEM

### NOTE

REFER TO INSTALLATION INSTRUCTIONS (M968637) SUPPLIED WITH SHOWER SYSTEM KIT FOR COMPLETE INSTALLATION AND REPAIR PART INFORMATION.

- Place the HAND SHOWER into the SLIDE BAR after all hose connections are made. The installation of the SHOWER SYSTEM KIT is now complete.
- Turn on water supplies and check all functions of the SHOWER SYSTEM KIT. Check for any leaks.



### CARE INSTRUCTIONS:

**DO:** SIMPLY RINSE THE PRODUCT CLEAN WITH CLEAR WATER. DRY WITH A SOFT COTTON FLANNEL CLOTH.

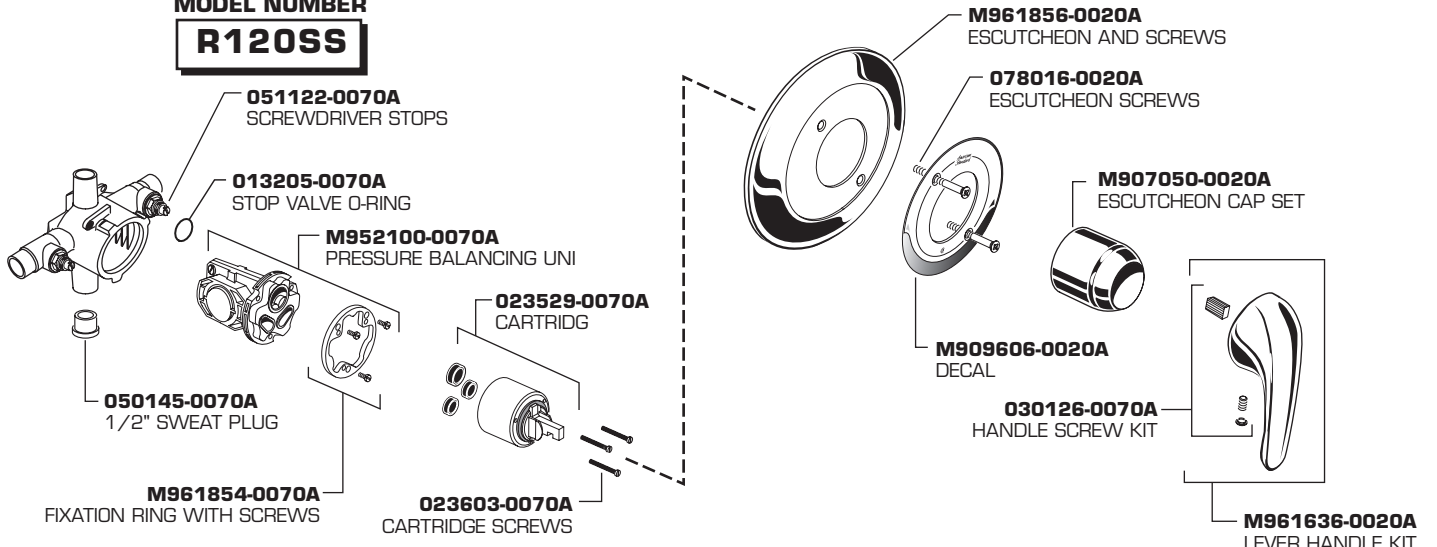
**DO NOT:** DO NOT CLEAN THE PRODUCT WITH SOAPS, ACID, POLISH, ABRASIVES, HARSH CLEANERS, OR A CLOTH WITH A COARSE SURFACE.

*American Standard*

### PRESSURE BALANCE TEMPERATURE/VOLUME CONTROL VALVE

MODEL NUMBER

**R120SS**



COLONY SOFT  
VALVE TRIM  
MODEL NUMBER

**T675.500**

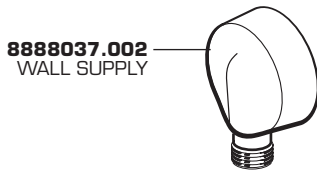


**3-FUNCTION HAND SHOWER**

**1660766.002**  
(1.5 gpm)

**1660767.002**  
(2.5 gpm)

**WALL SUPPLY**  
**8888.037.002**

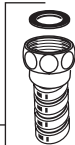


**8888037.002**  
WALL SUPPLY

**M962520-0020A**  
CHECK VALVE

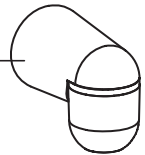


**030782-0020A**  
HOSE KIT



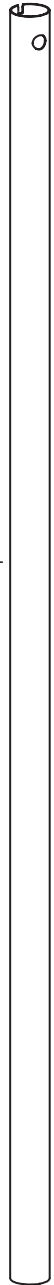
**METAL HOSE**  
**8888.035.002**

**M962506-0020A**  
SUPPORT BRACKET



**36" SLIDE BAR**  
**1660.236.002**

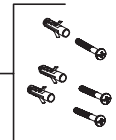
**M919211-0020A**  
36" SLIDE BAR



**M962507-0020A**  
HAND SHOWER HOLDER



**M950105-0070A**  
HARDWARE KIT



**M962506-0020A**  
SUPPORT BRACKET



**HOT LINE FOR HELP**

For toll-free information and answers to your questions, call:  
1-800-442-1902  
Weekdays 8:00 a.m. to 6:00 p.m. EST  
IN CANADA 1-800-387-0369 (TORONTO 1-905-306-1093)  
Weekdays 8:00 a.m. to 7:00 p.m. EST  
IN MEXICO 01-800-839-1200

