

CADET™ PEDESTAL SINK

- Classic vitreous china lavatory and pedestal
- Rear overflow
- Faucet ledge with generous shelf area
- Supplied with mounting kit

- 0236.411** Faucet holes on 4" (102mm) centers (Illustrated)
- 0236.811** Faucet holes on 8" (203mm) centers
- 0236.111** Center hole only

Nominal Dimensions:

622 x 508 x 889mm
(24-1/2" x 20" x 35")

Separate Components:

- 0236.004** Pedestal top - 4" (102mm) centers
- 0236.008** Pedestal top - 8" (203mm) centers
- 0236.001** Pedestal top - Center hole only
- 731100-400** Pedestal base only

Bowl Sizes:

508mm (20") wide
305mm (12") front to back
152mm (6") deep

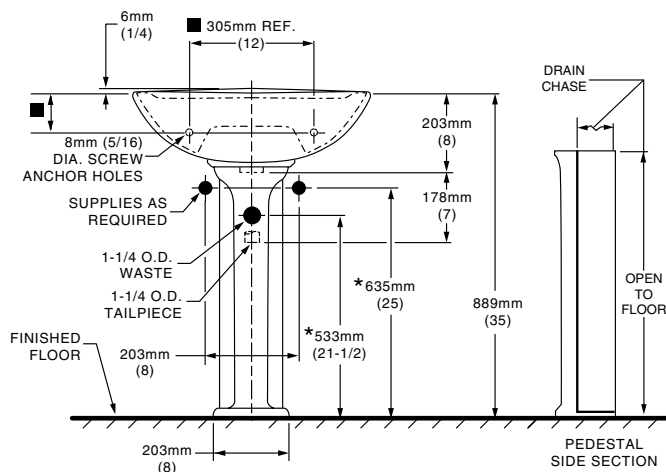
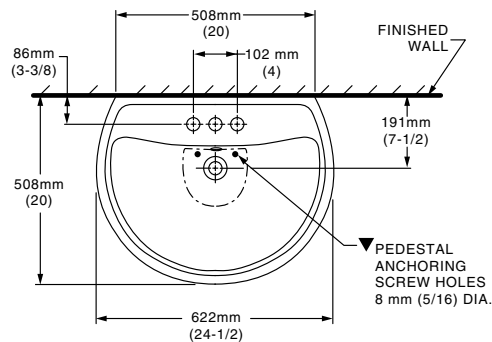
Compliance Certifications -

Meets or Exceeds the Following Specifications:

- ASME A112.19.2M for Vitreous China Fixtures

To Be Specified:

- Color: White Bone Linen
 Silver Fawn Beige Black
- Faucet:
- Faucet Finish:
- Supplies:
- 1-1/4" Trap:



NOTES:

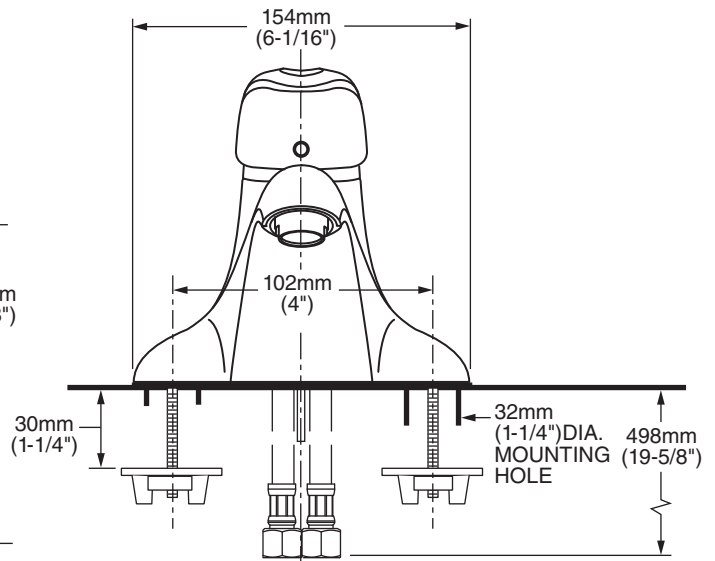
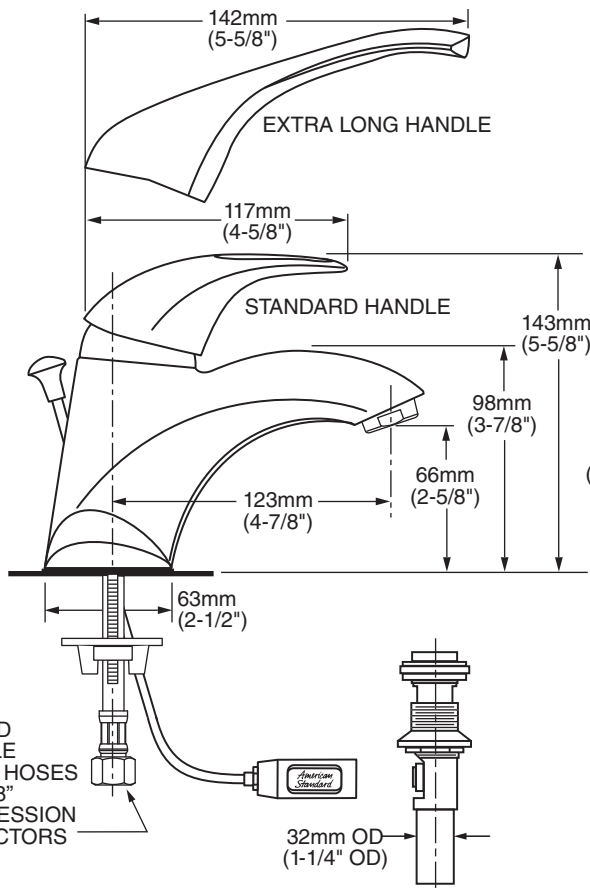
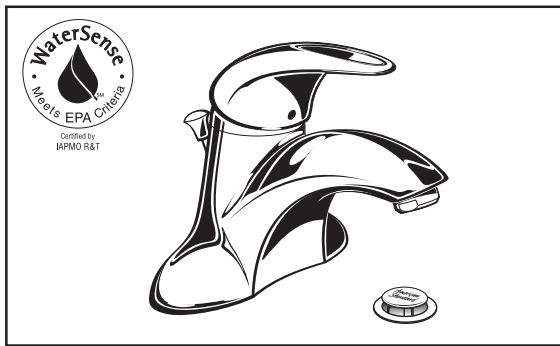
* DIMENSIONS SHOWN FOR LOCATION OF SUPPLIES AND "P" TRAPS ARE SUGGESTED.

▼ PEDESTAL ANCHORING SCREWS NOT INCLUDED.

■ SUITABLE FOR REINFORCEMENT ONLY. ACTUAL DIMENSIONS MUST BE TAKEN FROM FIXTURE.

FITTING NOT INCLUDED AND MUST BE ORDERED SEPARATELY. PROVIDE SUITABLE REINFORCEMENT FOR ALL WALL SUPPORTS. INSTALLATION INSTRUCTIONS SUPPLIED WITH LAVATORY.

IMPORTANT: Dimensions of fixtures are nominal and may vary within the range of tolerance established by ANSI Standard A112.19.2. These measurements are subject to change or cancellation. No responsibility is assumed for use of superseded or voided pages.



MODEL NUMBER:

- 7385.000 Reliant 3 Single Control Centerset**
Metal Lever Handle. Metal Speed Connect® pop-up drain.
- 7385.003 Reliant 3 Single Control Centerset**
Indexed Metal Lever Handle. Grid drain. LESS pop-up hole.
- 7385.004 Reliant 3 Single Control Centerset**
Indexed Metal Lever Handle LESS drain & pop-up hole.
- 7385.008 Reliant 3 Single Control Centerset**
Indexed Metal Lever Handle. Metal Speed Connect® pop-up drain.

PRODUCT FEATURES:

Cast Brass Waterway with Flexible Supply Hoses: Strong and durable. Less potential for leaks.

Ceramic Disc Valve Cartridge: Assures smooth, precise valve control and a lifetime of drip-free, maintenance-free performance.

Adjustable Hot Limit Safety Stop: Limits the amount of hot water allowed to mix with cold. Reduces the risk of accidental scalding.

Lead Free: Faucet contains ≤ 0.25% total lead content by weighted average.

Exclusive Speed Connect® Metal Drain:

- Fewer parts. Installs in less time.
- No adjustments required - seals the first time, every time.
- Flexible stainless steel cable - installs effortlessly in tight spaces.

Simple One-Person Installation: Faucet drops in from top. Quick spin nuts secure faucet in place.

GENERAL DESCRIPTION:

All metal body with choice of Metal Lever, Indexed Metal Lever Handle or optional Extra Long Lever Handle. Washerless 47mm ceramic disc valve cartridge with integral hot limit safety stop. Durable cast brass waterway. Braided flexible supply hoses with 3/8" compression connections. 20" (500mm) long flexible stainless steel drain cable is pre-assembled to faucet body. Metal Speed Connect® drain body (on 7385.000 & 7385.008) with 1-1/4" (32mm) tail piece. 1.5 gpm/5.7L/min. maximum flow rate.

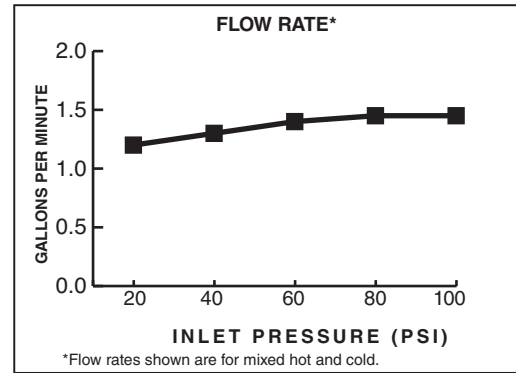
SUGGESTED SPECIFICATION

Single control lavatory fitting shall feature an all metal body with metal lever handle. Shall feature a cast brass waterway with flexible hose connections. Shall also feature a washerless ceramic disc valve cartridge with integral hot limit safety stop. Shall also feature a metal drain body with stainless steel cable actuation. Fitting shall be American Standard Model # 7385.____.

CODES AND STANDARDS

These products meet or exceed the following codes and standards:

- ANSI A117.1**
- ASME A112.18.1**
- CSA B 125.1**
- NSF 61/Section 9 and Annex G**



Product Number	Description	Finish Options	
		Polished Chrome	PVD Satin Nickel
		002	295
7385.000	Reliant 3 Single Control Centerset. Metal Lever Handle. Metal Speed Connect® pop-up drain.		
7385.003	Reliant 3 Single Control Centerset. Indexed (Red/Blue) Metal Lever Handle. Grid drain, less pop-up hole.		
7385.004	Reliant 3 Single Control Centerset. Indexed (Red/Blue) Metal Lever Handle. Less drain, less pop-up hole.		
7385.008	Reliant 3 Single Control Centerset. Indexed (Red/Blue) Metal Lever Handle. Metal Speed Connect® pop-up drain.		

Meets the American Disabilities Act Guidelines and **ANSI A117.1** Requirements for the physically challenged.

7385.000	7385.003	7385.004	7385.008
<ul style="list-style-type: none"> • Metal Lever Handle • Speed Connect® metal drain 	<ul style="list-style-type: none"> • Indexed (Red/Blue) metal lever handle • Less drain, less pop-up hole 	<ul style="list-style-type: none"> • Indexed (Red/Blue) metal lever handle • Less drain, less pop-up hole 	<ul style="list-style-type: none"> • Indexed (Red/Blue) metal lever handle • Speed Connect® metal drain

Available Modifications*		Part Suffix	Part Suffix	Part Suffix	Part Suffix
Drain Options	Less Pop-up Drain; With Hole and Pop-up Rod	__XPR	__	__	__XPR
Handle Options	Extra Long Handle	__LH	__LH	__LH	__LH
Flow Control Options	Vandal-Resistant 1.5gpm/5.7L/min. Aerator	__V15	__V15	__V15	__V15
	Non-Aerated Laminar 1.5gpm/5.7L/min. Flow Outlet	__L15	__L15	__L15	__L15
	Non-Aerated Vandal-Resistant 0.5gpm/1.9L/min. Spray	__V05	__V05	__V05	__V05
	2.2gpm/8.3L/min Aerator	__F22	__F22	__F22	__F22

*Modified product models are NOT Water Sense certified.