

### TROPIC PETITE PEDESTAL SINK

- Vitreous china
- Contemporary styled lavatory and pedestal
- Rear overflow
- Supplied with mounting kit
- Right Height™ for greater comfort during use
- Faucet ledge with large deck area
- Recommended Tropic faucets 7038.801 Widespread (illustrated) and 7038.201 Centerset not included
- Basin has flat bottom to also allow use as an **above counter sink** or a **countertop sink**
- Recommended with 9212.030 Tropic 30" vanity and 9212.124 Marble Top
- **Style coordinates with Tropic Cadet®3 toilets**

**0403.800** Faucet holes on 203mm (8") centers (Illustrated)

**0403.400** Faucet holes on 102mm (4") centers

#### Nominal Dimensions:

531 x 470 x 915mm  
(21" x 18-1/2" x 36")

**0403.008** Lavatory slab-203mm (8") centers

**0403.004** Lavatory slab-102mm (4") centers

**0010.000** Pedestal only

#### Bowl sizes:

445mm (17-1/2") wide,  
292mm (11-1/2") front to back,  
152mm (5-1/2") deep

#### Compliance Certifications -

#### Meets or Exceeds the Following Specifications:

- ASME A112.19.2 - 2008/CSA B45.1-08



SEE REVERSE FOR ROUGHING-IN DIMENSIONS

#### To Be Specified:

Color:  White  Bone  Linen  Black

Faucet:  7038.801 Tropic Widespread

7038.201 Tropic Centerset

Faucet Finish:

002 Polished Chrome

295 Satin Nickel

Supplies:

1-1/4" Trap:

Nipple:

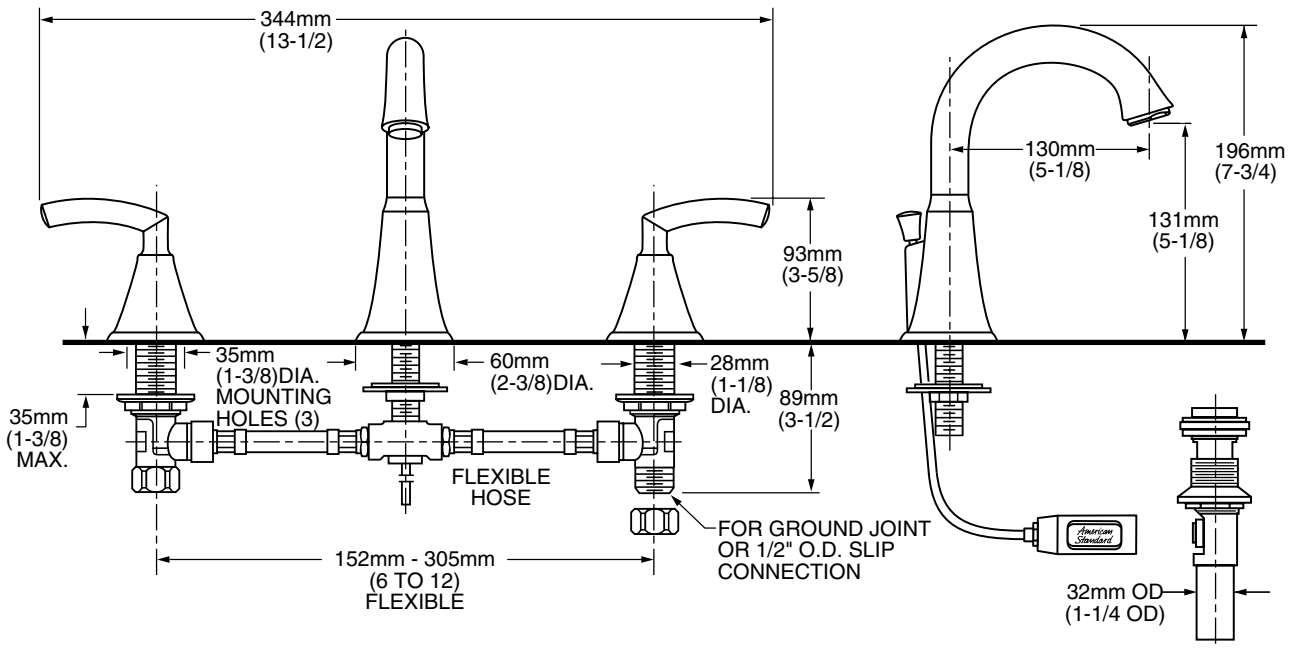
\* See faucet section for additional models available





**MODEL NUMBER:**

- ☐ **7038.801 Tropic Widespread**  
 Metal Speed Connect® pop-up drain.  
 Metal Lever handles.



**GENERAL DESCRIPTION:**

Durable cast brass spout and metal lever handles. Cast brass valve bodies with flexible hose connections for 6" to 12" (152mm to 305mm) installations. One-half inch male inlet shanks with brass coupling nuts. 1/4 turn washerless ceramic disc valve cartridges. 20 inch (500mm) long flexible stainless steel drain cable is pre-assembled to spout. Metal Speed Connect® drain body with 1-1/4" (32mm) tail piece. 1.5 gpm/5.7L/min. maximum flow rate.

**PRODUCT FEATURES:**

- Brass Construction:** Ideal for prolonged contact with water.
- Ceramic Disc Valve Cartridges:** Assure a lifetime of smooth handle operation and drip-free performance.
- Low Lead:** Meets NSF Standard 61/Section 9 & Prop 65 lead requirements.
- Exclusive Speed Connect Metal Drain:**
  - Fewer Parts - installs in less time.
  - No adjustments required - seals the first time, every time.
  - Flexible stainless steel cable - installs effortlessly in tight spaces.
- Choice of Finishes:** Available in Polished Chrome or Satin Nickel (PVD).

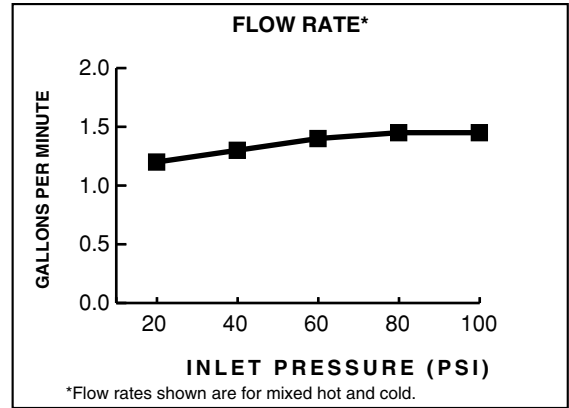
**SUGGESTED SPECIFICATION:**

Two handle widespread lavatory faucet shall feature a cast brass spout and valve bodies with flexible hose connections for 6" to 12" installations. Shall feature 1/4 turn washerless ceramic disc valve cartridges. Shall also feature a metal drain body with stainless steel cable actuation. Fitting shall be American Standard Model # 7038.801.\_\_\_\_\_.

**CODES AND STANDARDS**

These products meet or exceed the following codes and standards:

- ANSI A117.1**
- ASME A112.18.1**
- CSA B 125**
- NSF 61/Section 9**



Product Number	Description	Finish Options	
		Polished Chrome	Satin Nickel (PVD)
		002	295
7038.801	Tropic Widespread with Metal Speed Connect® Pop-up drain. Metal Lever handles.		



Meets the American Disabilities Act Guidelines and **ANSI A117.1** Requirements for the physically challenged.

**PORTSMOUTH MIRROR**

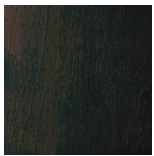
☐ **9210.101**

- Rectangular mirror with poplar solid frame
- Coordinates with the Portsmouth Collection
- Available in a Dark Chocolate or White finish

**Nominal Dimensions:**

25" x 1-3/4" (635 x 44mm)

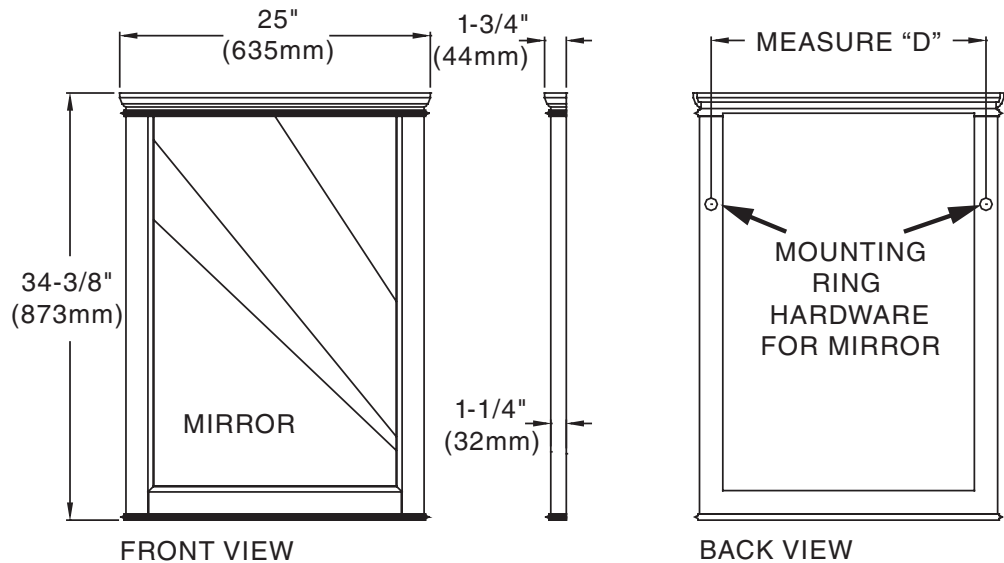
34-3/8" height (873mm)



322  
Dark Chocolate



020  
White



**NOTES:**  
PROVIDE SUITABLE REINFORCEMENT FOR ALL WALL SUPPORTS.

**IMPORTANT:** Dimensions of fixtures are nominal and may vary within the range of tolerances established by ANSI Standard A112.19.2. These measurements are subject to change or cancellation. No responsibility is assumed for use of superseded or voided pages.