

BOULEVARD PEDESTAL SINK

- Vitreous china
- Classic styled rectangular pedestal lavatory
- Rear overflow
- Supplied with mounting kit
- Right Height™ for greater comfort during use
- Faucet ledge with large deck area (faucet not included)
- **Design coordinates with Studio Cadet®3 Toilet**
- Basin has flat bottom to also allow use as an **above counter** sink or a **countertop** sink (with u-shaped cut out)

- 0641.800** Faucet holes on 203mm (8") centers (Illustrated)
- 0641.400** Faucet holes on 102mm (4") centers
- 0641.100** Center hole only

Nominal Dimensions:

610 x 483 x 902mm
(24" x 19" x 35-1/2")

- 0641.008** Lavatory slab-203mm (8") centers
- 0641.004** Lavatory slab-102mm (4") centers
- 0641.001** Lavatory slab-center hole only
- 0010.000** Pedestal only

Bowl sizes:

432mm (17") wide,
318mm (12-1/2") front to back,
127mm (5") deep

Compliance Certifications -

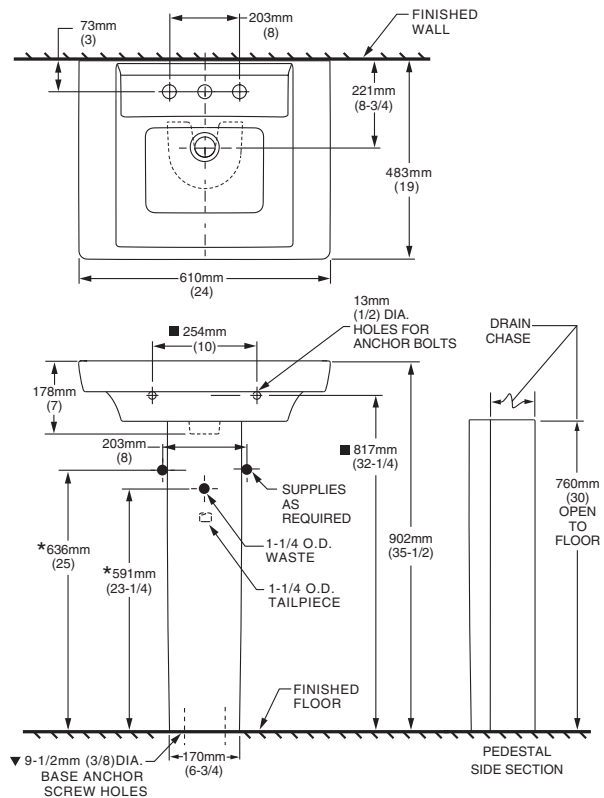
Meets or Exceeds the Following Specifications:

- ASME A112.19.2 - 2008/CSA B45.1-08

To Be Specified:

- Color: White Bone Linen Black
- Faucet Finish:
- Supplies:
- 1-1/4" Trap:
- Nipple:

* See faucet section for additional models available



NOTES:
 * DIMENSIONS SHOWN FOR LOCATION OF SUPPLIES AND "P" TRAPS ARE SUGGESTED.
 ▼ PEDESTAL ANCHORING SCREWS NOT INCLUDED.
 ■ SUITABLE FOR REINFORCEMENT ONLY. ACTUAL DIMENSIONS MUST BE TAKEN FROM FIXTURE.
 FITTING NOT INCLUDED AND MUST BE ORDERED SEPARATELY.
 PROVIDE SUITABLE REINFORCEMENT FOR ALL WALL SUPPORTS.
 INSTALLATION INSTRUCTIONS SUPPLIED WITH LAVATORY.

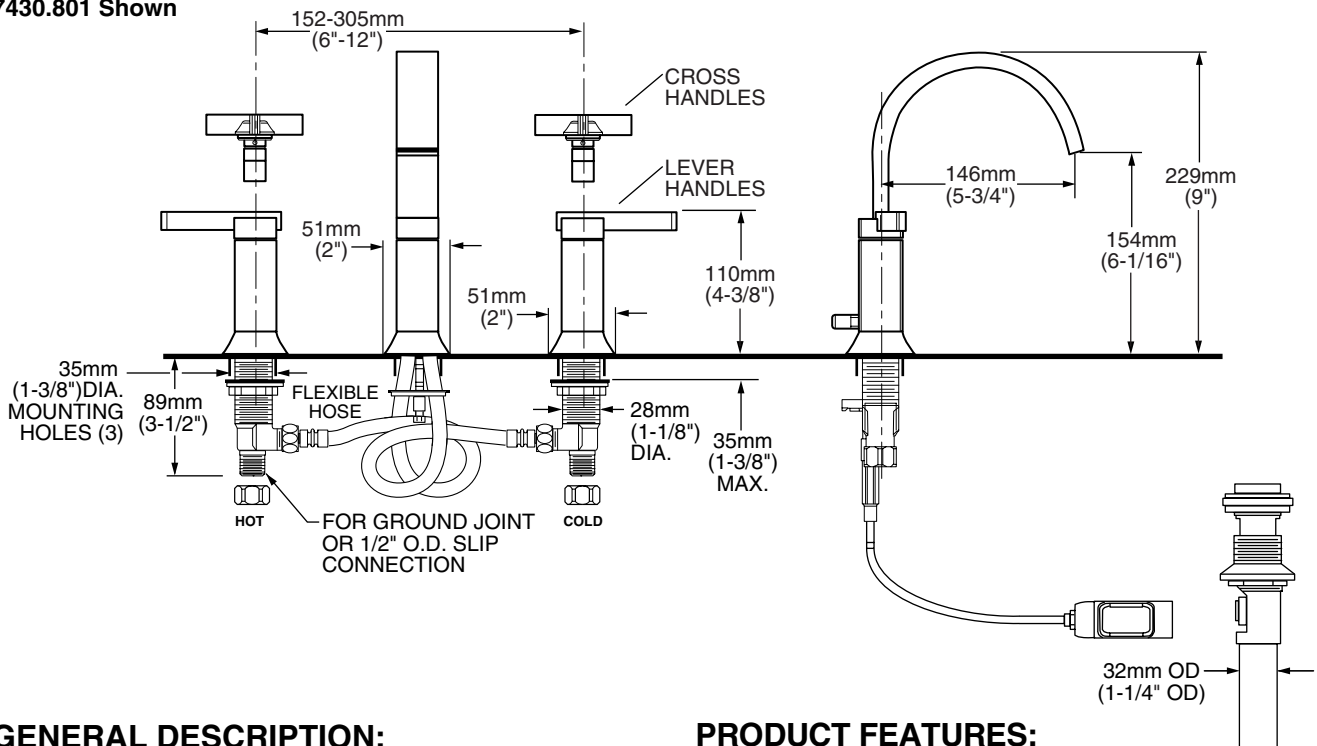
IMPORTANT: Dimensions of fixtures are nominal and may vary within the range of tolerance established by ANSI Standard A112.19.2. These measurements are subject to change or cancellation. No responsibility is assumed for use of superseded or voided pages.



7430.801 Shown

MODEL NUMBER:

- ☐ **7430.801 Berwick Widespread**
Metal Speed Connect® Pop-up drain.
Metal Lever handles.
- ☐ **7430.821 Berwick Widespread**
Metal Speed Connect® Pop-up drain.
Metal Cross handles.



GENERAL DESCRIPTION:

Cast brass valve bodies with flexible hose connections for 6" to 12" (152mm to 305mm) installations. 1/4 turn washerless ceramic disc valve cartridges. Brass spout. Choice of metal lever or metal cross handles. One-half inch male inlet shanks with brass coupling nuts. 20 inch (500mm) long flexible stainless steel drain cable is pre-assembled to spout. Metal Speed Connect® drain body with 1-1/4 inch (32mm) tail piece. 1.5 gpm/5.7L/min. maximum flow rate.

PRODUCT FEATURES:

- Brass Construction:** Durable. Ideal for prolonged contact with water. Provides the finest surface for application of colors and finishes.
- Ceramic Disc Valve Cartridges:** Assures a lifetime of drip-free performance.
- Lead Free:** Faucet contains ≤ 0.25% total lead content by weighted average.
- Exclusive Speed Connect Metal Drain:**
 - Fewer parts. Installs in less time.
 - No adjustments required - seals the first time, every time.
 - Flexible stainless steel cable - installs effortlessly in tight spaces.
- Choice of Finishes:** Available in Polished Chrome or Satin Nickel (PVD).

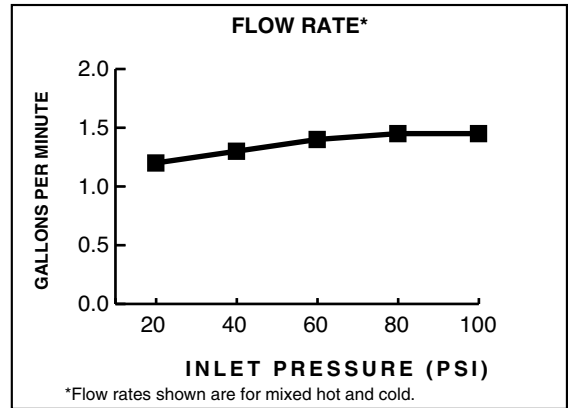
SUGGESTED SPECIFICATION:

Two handle widespread lavatory faucet shall feature cast brass valve bodies with flexible hose connections for 6" to 12" installations. Shall also feature 1/4 turn washerless ceramic disc valve cartridges. Shall also feature a metal drain body with stainless steel cable actuation. Fitting shall be American Standard Model #7430.____.

CODES AND STANDARDS


These products meet or exceed the following codes and standards:

- ASME A112.18.1**
- NSF 61/Section 9 and Annex G**
- CSA B125.1**



Product Number	Description	Finish Options	
		Polished Chrome	Satin Nickel (PVD)
		002	295
7430.801	Berwick Widespread with Metal Speed Connect® Pop-up drain. Metal Lever handles.		
7430.821	Berwick Widespread with Metal Speed Connect® Pop-up drain. Metal Cross handles.		



 Meets the American Disabilities Act Guidelines and **ANSI A117.1** Requirements for the physically challenged.

PORTSMOUTH MIRROR

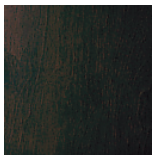
☐ **9210.101**

- Rectangular mirror with poplar solid frame
- Coordinates with the Portsmouth Collection
- Available in a Dark Chocolate or White finish

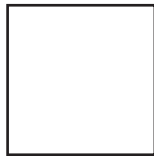
Nominal Dimensions:

25" x 1-3/4" (635 x 44mm)

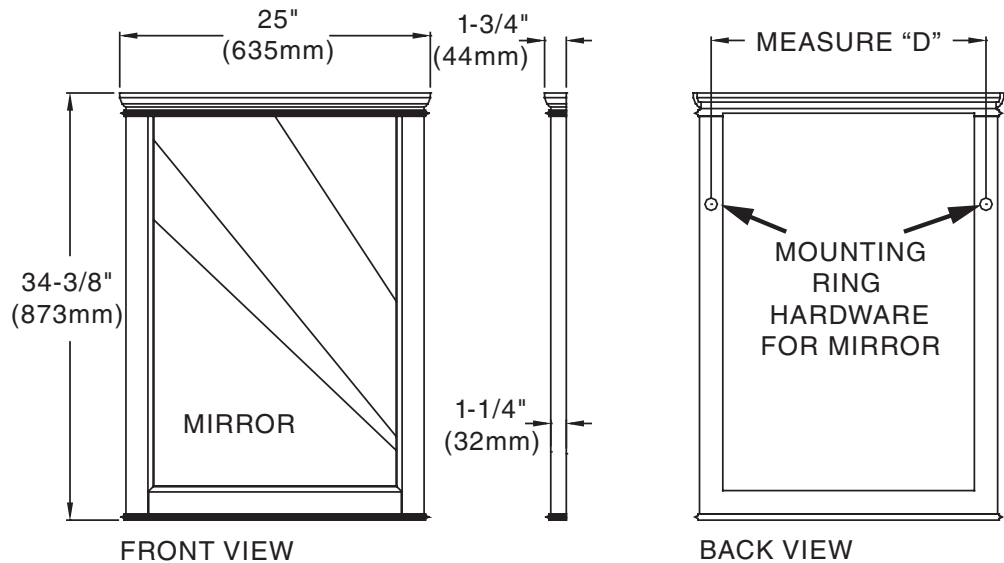
34-3/8" height (873mm)



322
Dark Chocolate



020
White



NOTES:
PROVIDE SUITABLE REINFORCEMENT FOR ALL WALL SUPPORTS.

IMPORTANT: Dimensions of fixtures are nominal and may vary within the range of tolerances established by ANSI Standard A112.19.2. These measurements are subject to change or cancellation. No responsibility is assumed for use of superseded or voided pages.