



AFWALL™ ELONGATED TOILET

- Vitreous china
- Low-consumption (6.0 Lpf/1.6 gpf)
- Wall-mounted elongated bowl
- Fully glazed trapway
- Condensation channel
- Direct-fed siphon jet action
- 1-1/2" inlet spud
- 2" ballpass trapway
- 10" x 12" water surface area
- 100% factory flush tested

- 2257.103** Top spud
- 2256.194** Top spud with slotted rim for bedpan holding (White only)
- 2258.125** Back spud
- 2254.127** Back spud with slotted rim for bedpan holding (White only)

Recommended working pressure--between 30 psi at valve when flushing and 80 psi static

Nominal Dimensions:
635 x 375 x 381mm (25" x 14-3/4" x 15")

Fixture only, less seat and bolt caps

Compliance Certifications -

Meets or Exceeds the Following Specifications:

- ASME A112.19.2M (and 19.6M) for Vitreous China Fixtures - includes Flush Performance, Ball Pass Diameter, Trap Seal Depth and all Dimensions



NOTE: Roughing-in information shown on reverse side of page

To Be Specified

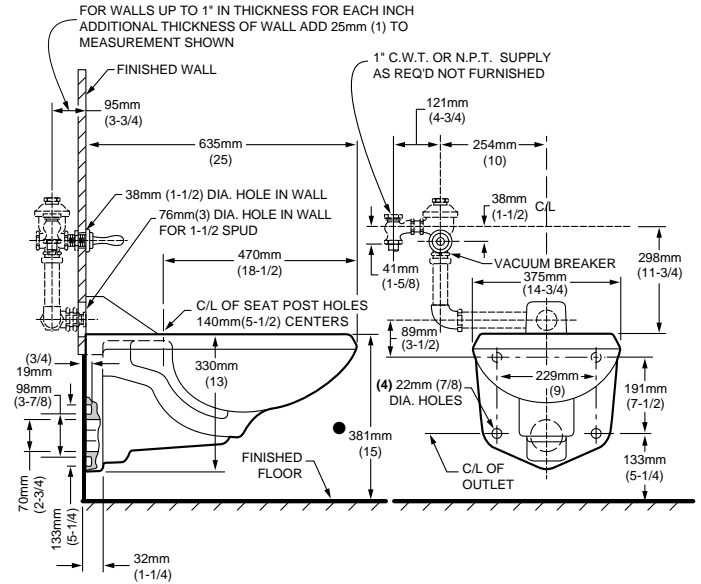
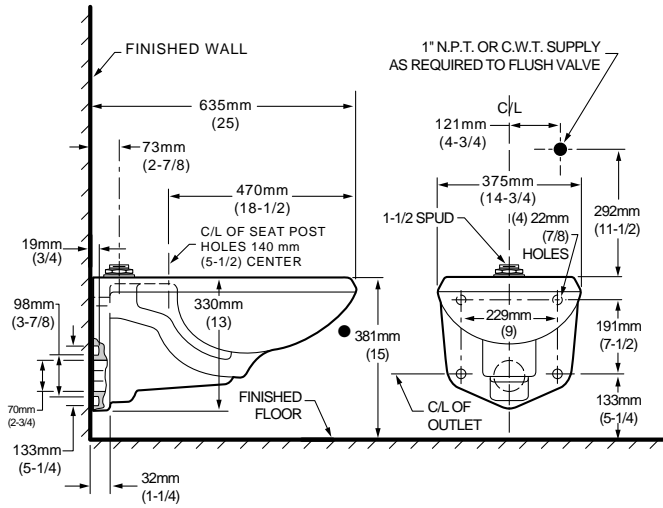
- Color: White Bone Silver Shell
 Black
- Seat: Olsonite #95 open front seat less cover
- Seat: Church #9500C open front seat less cover
- Alternate Seat:
- Flush Valve: Sloan Royal #111 (Top Spud)
Sloan Royal #144-1.5 (Back Spud)
- Alternate Flush Valve:
- Carrier Fitting (by others):



- When installed so top of seat is 432 to 483mm (17" to 19") from the finished floor.
MEETS THE AMERICAN DISABILITIES ACT GUIDELINES AND ANSI A117.1 REQUIREMENTS FOR ACCESSIBLE AND USEABLE BUILDING FACILITIES-CHECK LOCAL CODES.

2256./2257.

2254./2258.



NOTES:

● Toilet designed to meet ADA handicapped standards with seat height set at 432 to 483mm (17" to 19") from finished floor.

PRODUCT 2257.103 SHOWN, 2256.194 SAME AS EXCEPT WITH SLOTTED RIM FOR BED PAN HOLDING.

PRODUCT 2258.125 SHOWN, 2254.127 SAME AS EXCEPT WITH SLOTTED RIM FOR BED PAN HOLDING.

WASTE OUTLET SEAL RING MUST BE NEOPRENE OR GRAPHITE-FELT (WAX RING NOT RECOMMENDED).

SUGGESTED 2mm (1/16) CLEARANCE BETWEEN FACE OF WALL AND BACK OF BOWL.

TO COMPLY WITH AREA CODE GOVERNING THE HEIGHT OF VACUUM BREAKER ON THE FLUSH VALVE, THE PLUMBER MUST VERIFY DIMENSIONS SHOWN FOR SUPPLY ROUGHING.

FLUSH VALVE NOT INCLUDED WITH FIXTURE AND MUST BE ORDERED SEPARATELY.

CARRIER FITTING AS REQUIRED TO BE FURNISHED BY OTHERS.

PROVIDE SUITABLE REINFORCEMENT FOR ALL WALL SUPPORT.

IMPORTANT: Dimensions of fixtures are nominal and may vary within the range of tolerance established by ANSI Standard A112.19.2

These measurements are subject to change or cancellation. No responsibility is assumed for use of superseded or voided pages.