

MADERA™ FloWise® 16-1/2" HEIGHT ELONGATED with EVERCLEAN®

- Floor mount flushometer valve toilet
- Vitreous china
- High Efficiency, Low Consumption. Operates in the range of 1.1 gpf to 1.6 gpf (4.2 Lpf to 6.0 Lpf)
- Meets definition of HET (High Efficiency Toilet) when used with a high efficiency flush valve (1.28 gpf or 1.6 / 1.1 gpf dual flush)
- Permanent EverClean® surface inhibits the growth of stain and odor-causing bacteria, mold, and mildew on the surface
- Fully glazed 2-1/8" trapway
- Elongated bowl
- 10" or 12" roughing-in
- 16-1/2" rim height for accessible application
- Condensation channel
- Powerful direct-fed siphon jet action
- 10" x 12" water surface area
- 1-1/2" inlet spud
- 2 bolt caps
- 100% factory flush tested

- 3461.001** Elongated bowl only, top spud
- 3462.001** Elongated bowl only, top spud with slotted rim for bedpan holding (White only)
- 3465.001** Elongated bowl only, top spud with 4 bolts (White Only)
- 3466.001** Elongated bowl only, top spud with slotted rim for bedpan holding with 4 bolts (White only)
- 3463.001** Elongated bowl only, back spud
- 3464.001** Elongated bowl only, back spud with slotted rim for bedpan holding (White only)

System MaP* Score:

- 1,000 grams of miso @ 1.6 gpf or 1.28 gpf when used with an American Standard flush valve

* Maximum Performance (MaP) testing performed by IAPMO R&T Lab. MaP Report conducted by Veritec Consulting, Inc. and Koeller and Company.

Component Parts:

- 047007-0070A** Inlet Spud (furnished with bowl)
- 481310-100** Bolt caps with retainers (furnished with bowl)

Nominal Dimensions:

718 x 356 x 419mm
(28-1/4" x 14" x 16-1/2")


Fixture only, less seat and flush valve

Recommended working pressure—between 25 psi at valve when flushing and 80 psi static

Compliance Certifications -

Meets or Exceeds the Following Specifications:

- ASME A112.19.2-2008 / CSA B45.1-08 for Vitreous China Fixtures

 MEETS THE AMERICANS WITH DISABILITIES ACT GUIDELINES AND ANSI A117.1 REQUIREMENTS FOR ACCESSIBLE AND USABLE BUILDING FACILITIES - CHECK LOCAL CODES.



SEE REVERSE FOR ROUGHING-IN DIMENSIONS

To Be Specified:

- Color: White Bone Linen
- Seat:
 - American Standard #5901.100 Heavy duty open front less cover
 - American Standard #5905.100 Extra heavy duty open front less cover
- Flushometer Valve:
 - 1.6 gpf:
 - Sensor-Operated: American Standard Selectronic® DC Power #6065.161.002 (Top Spud)
 - Sensor-Operated: American Standard Selectronic® AC Power #6067.261.002 (Back Spud)
 - Manual: American Standard #6047.161.002 (Top Spud)
 - 1.28 gpf:
 - Sensor-Operated: American Standard Selectronic® DC Power #6065.121.002 (Top Spud)
 - Sensor-Operated: American Standard Selectronic® AC Power #6067.221.002 (Back Spud)
 - Manual: American Standard #6047.121.002 (Top Spud)
 - 1.6 / 1/1 gpf Dual Flush:
 - Sensor-Operated: American Standard Selectronic® DC Power #6065.761.002 (Top Spud)

EVERCLEAN®
Surface



SELECTRONIC™ TOILET FLUSH VALVE
BATTERY POWERED, SENSOR OPERATED, 1.6 GPF



GENERAL DESCRIPTION:

Exposed, Battery Powered, Sensor Operated Selectronic™ Water Closet Flush Valve for floor-mounted or wall-hung 1-1/2" top spud bowls.

Inlet includes 1" I.P.S. angle stop with back-flow protection, vandal-resistant cap, sweat solder kit, cover tube and wall flange.

Outlet includes 1-1/2" vacuum breaker with adjustable tailpiece, spud coupling and flange.

PRODUCT FEATURES:

- Electronic flush valve with Selectronic™ proximity system for "Hands Free" operation
- Self-Cleaning Piston operation helps prevent clogging and reduces maintenance
- Positive seal ensures leak-free performance
- Fully mechanical Manual Override Button can flush toilet during a power outage
- Range can be adjusted manually or by remote control
- Sensor & electronic controls are fully enclosed and water resistant
- Automatically flushes after 24 hours of non-use to maintain trap seal
- Safety timer helps prevent vandalism by turning off the valve if sensor is covered for more than 1 minute
- 3-second Flush Delay
- Low Battery indicator
- Battery can be changed without turning off the water
- Factory-installed 6V lithium battery included
- Can be installed left or right-handed
- ADA compliant

MODEL NUMBER:

- ❑ **6065.161.002** Flush Valve for 11-1/2" Supply C/L to top of bowl, 1.6 gpf
- ❑ **6065.162.002** Flush Valve for 27" Supply C/L to top of bowl, 1.6 gpf
- ❑ **6065.565.002** Retrofit for Existing Flush Valves, 1.6 gpf. Replaces industry standard manual and electronic valves. Does not include the vacuum breaker assembly, angle stop or sweat solder kit.

OPERATING PRESSURE:

Overall Range: 20-125 psi**

Recommended: 25 psi (flowing)-80 psi (static)

FLOW REQUIREMENT:

25gpm (94.6 L/min.)

** Water pressure over 80 psi is not recommended for most plumbing fixtures.

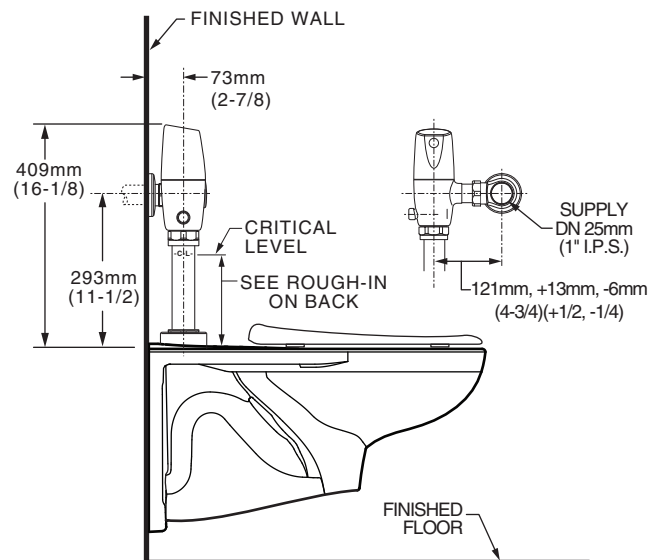
BATTERY LIFE:

Up to 4-year life (approx. 200,000 cycles)

ACCESSORIES:

- Cast wall flanges (3/4", 1" & 1-1/2")
- Solid ring pipe supports (2-1/2" & 6" C-E)
- Split ring pipe supports (2-1/2" & 6" C-E)

**TYPICAL WATER CLOSET INSTALLATION:
 AFWALL™ TOILET SHOWN**



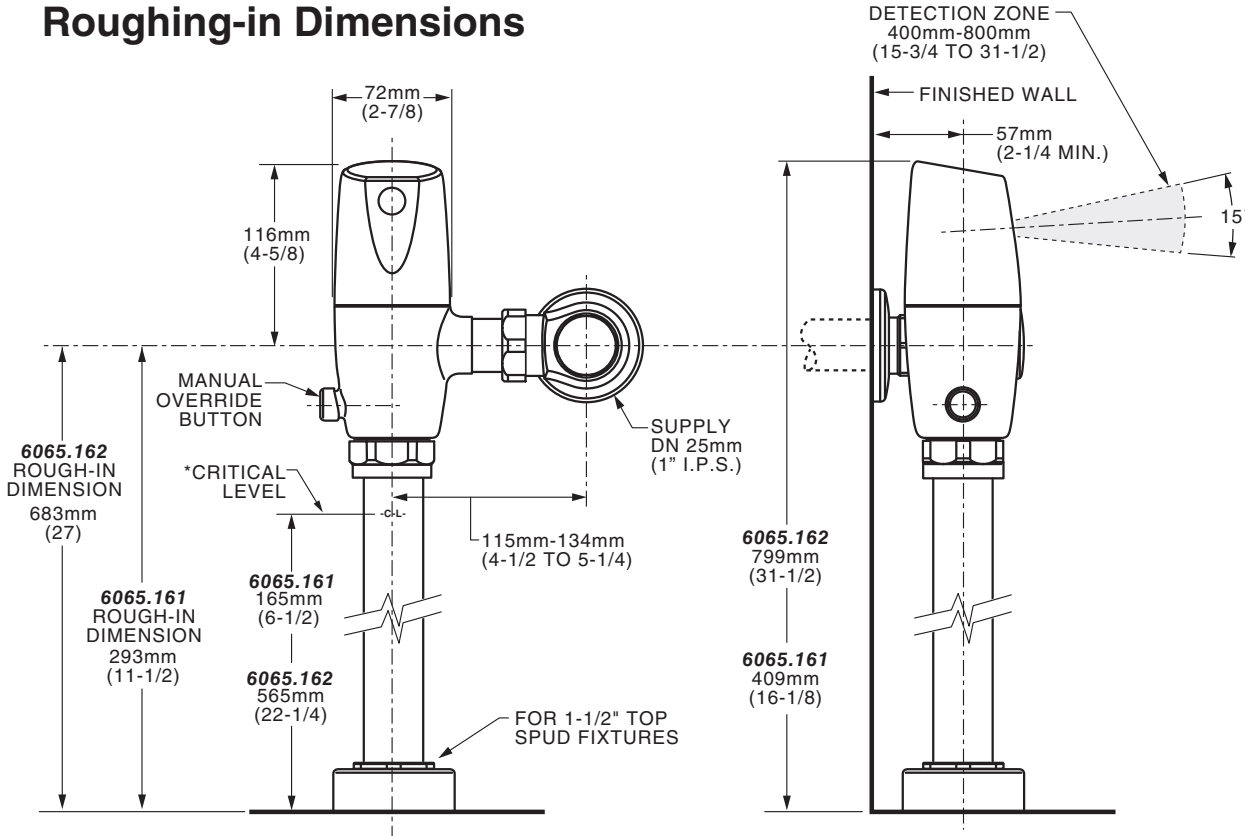
RECOMMENDED SPECIFICATION:

Electronic proximity infrared sensor activated toilet flush valve shall feature self-cleaning piston valve. Includes a fully mechanical manual over-ride that can provide a complete flush without battery power. Includes cast brass valve body and metal cover with chrome finish, vandal resistant stop cap and lithium battery. Angle stop with back-flow protection and vacuum breaker included. 1.6 gpf / 6.0 Lpf. Flush valve shall be American Standard Model # 6065.16_.002.

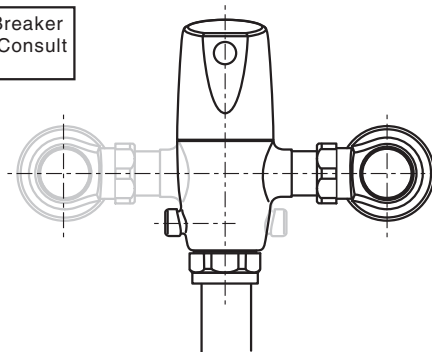
LISTINGS:

- ASSE 1037
- ANSI/ASME A112.19.2
- ADA Compliant

Roughing-in Dimensions



*Note: The Critical Line (-C-L-) on Vacuum Breaker must typically be 6" (152mm) above fixture. Consult Codes for details.



Right or Left Hand Installation

COMMERCIAL TOILET SEATS

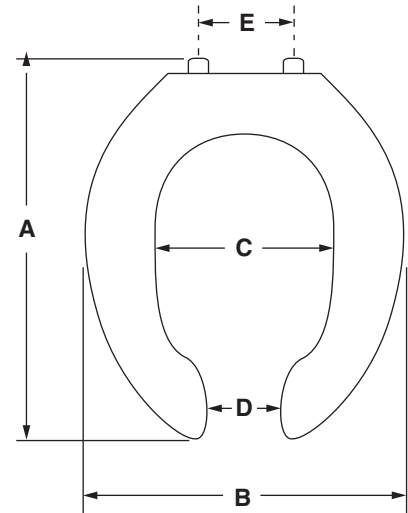
- 5901.100** Elongated Heavy Duty bowl open front seat less cover
- 5901.100SS** Same as 5901.100 with self-sustaining hinge
- 5901.110T** Same as 5901.100 with EverClean® Surface
- 5901.110T5** Master Pack of 5 - 5901.110T seats individually boxed and labeled for easy sell through

- Open front toilet seat less cover
- Injection molded solid polypropylene
- Fits elongated bowl
- Features large molded-in bumpers
- External check hinge with 304 Series stainless steel hinge posts stops seat 11° beyond vertical
- EverClean® silver-based surface permanently inhibits the growth of stain and odor causing bacteria, mold and mildew on the surface. EverClean® surface does not protect against disease causing bacteria.



5901

Model #	5901
A	18-9/16" (471mm)
B	14-3/8" (365mm)
C	7-7/8" (200mm)
D	3-1/2" (89mm)
E	5-1/2" (140mm)
Ring Thickness	7/8" (22mm)
Ring Thickness with Bumper	1" (25mm)



To Be Specified:
 Color: White