

INSTALLATION INSTRUCTIONS

Siphonic Ultra-High Efficiency Two-Piece Toilets

H2Optimum™ Single Flush Models 288AA / 288CA / 288DA

H2Option® Dual Flush Models 2886 / 2887 / 2889

American Standard



Thank you for selecting American Standard – the benchmark of fine quality for over 100 years. To ensure this product is installed properly, please read these instructions carefully before you begin. (Certain installations may require professional help.) Also be sure your installation conforms to local codes.

▲ CAUTION: PRODUCT IS FRAGILE. TO AVOID BREAKAGE AND POSSIBLE INJURY HANDLE WITH CARE!

NOTE: Pictures may not exactly define contour of china and components.

RECOMMENDED TOOLS AND MATERIALS

Putty Knife
Hacksaw

Regular Screwdriver
Wax Ring/Gasket

Adjustable Wrench
Flexible Supply Tube

Sealant
Closet Bolts

Tape Measure
Carpenters Level

1 REMOVE OLD TOILET

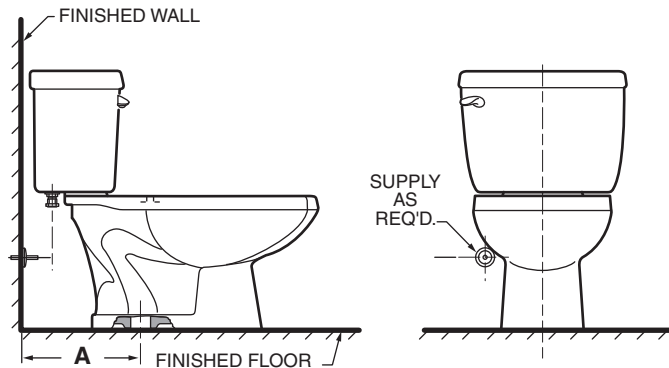
- Close toilet supply valve and flush tank completely. Towel or sponge remaining water from tank and bowl.
- Disconnect and remove supply line. NOTE: *If replacing valve, first shut off main water supply!*
- Remove old mounting hardware, remove toilet and plug floor waste opening to prevent escaping sewer gases.
- Remove closet bolts from flange and clean away old wax, putty, etc. from base area.

NOTE: Mounting surface must be clean and level **before** new toilet is installed!

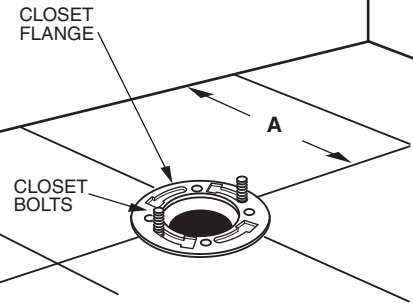
2 ROUGHING-IN DIMENSIONS:

NOTE: Distance from wall to closet flange centerline must be as listed below:

A = 12" (305mm)



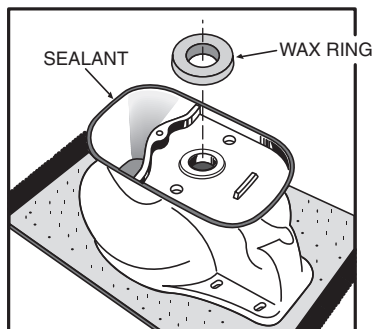
3



INSTALL CLOSET BOLTS

Install closet bolts in flange channel and slide into place parallel to wall.

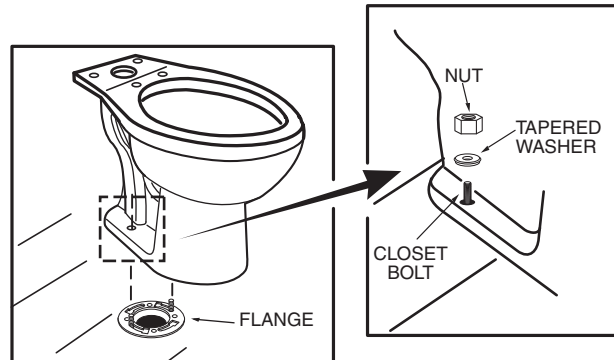
4



INSTALL WAX SEAL

Invert toilet on floor (cushion to prevent damage), and install wax ring evenly around waste flange (horn), with tapered end of ring facing toilet. Apply a thin bead of sealant around toilet base.

5



POSITION TOILET ON FLANGE

- Unplug floor waste opening and install toilet on closet flange so bolts project through mounting holes.
- Loosely install retainer washers and nuts. Side of washers marked "THIS SIDE UP" must face up!

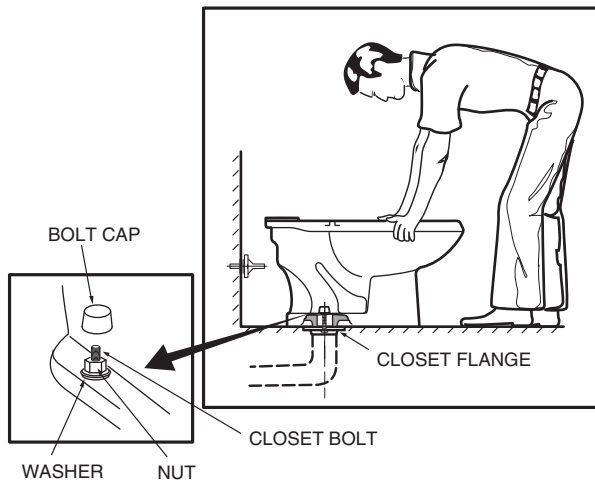
SAVE FOR FUTURE USE



Product names listed herein are trademarks of AS America Inc.
© AS America Inc. 2016

7301416-100 Rev. L 1/16

6

**INSTALL TOILET**

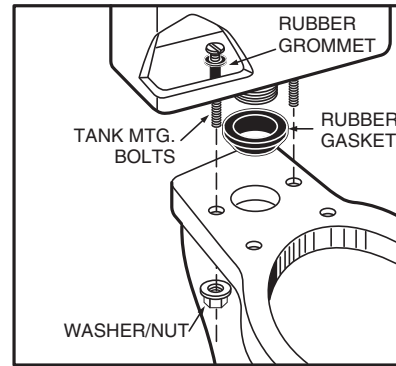
- Position toilet squarely to wall and, with a rocking motion, press bowl down fully on wax ring and flange. Alternately tighten nuts until toilet is firmly seated on floor.



CAUTION:
DO NOT OVERTIGHTEN NUTS
OR BASE MAY BE DAMAGED!

- Install caps on washers. (If necessary, cut bolt height to size before installing caps.)
- Smooth off the bead of sealant around base. Remove excess sealant.

7

**INSTALL TANK**

- Insert rubber grommets through holes in the tank then insert bolts through holes in the grommets.
- Install large rubber gasket over threaded outlet on bottom of tank and lower tank onto bowl so that tapered end of gasket fits evenly into bowl water inlet opening.
- With tank parallel to wall, alternately tighten nuts until tank is snugged down evenly against bowl surface.



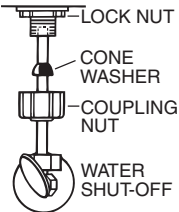
CAUTION:
DO NOT OVERTIGHTEN NUTS MORE
THAN REQUIRED FOR A SNUG FIT!

8

INSTALL TOILET SEAT Install toilet seat in accordance with manufacturer's directions.

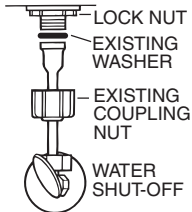
9a

Before continuing, determine the type of water supply connection you have from the chart below and use the appropriate assembly parts required to properly reconnect the water supply.

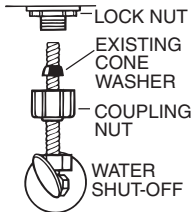
METAL / COPPER FLARED TUBING

These parts must be used as illustrated to ensure water-tight connection. Use of existing coupling nut may result in water leakage. Water supply tube or pipe must extend at least 1/2" inside threaded shank of valve (does not apply to flanged tubing).

**CAUTION: DO NOT USE
CONE WASHER WITH
PLASTIC SUPPLY LINE.**

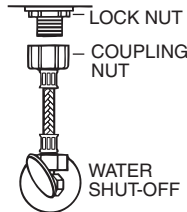
METAL FLANGED TUBING

Use existing coupling nut and washer.

METAL SPIRAL TUBING

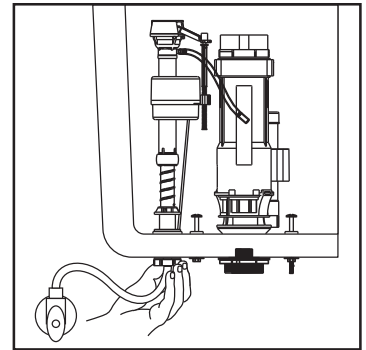
Use existing spiral cone washer. Fluidmaster cone washer may not seal completely on spiral type supply line.

**CAUTION: Overtightening of LOCK
NUT or COUPLING NUT could result
in breakage and potential flooding.**

VINYL / BRAIDED CONNECTOR

Captive cone washers already included. No additional washers needed.

9b



With correct washers in place (see Step 9a), tighten COUPLING NUT 1/4 turn beyond hand tight.

DO NOT OVERTIGHTEN.

WARNING: Do not use plumber's putty, pipe dope, or any other sealant on the water supply connection to this tank. If the connection leaks after hand tightening, replace the supply line. If the connection continues to leak with the new supply line, replace the fill valve.
Warranty is void if any type of sealant is used on the water supply connection.

ADJUSTMENTS

- a. Adjust water level. Water level should be adjusted to level indicated on tank by adjusting as follows:
 1. Major water level adjustment - see Page 4
 2. Minor water level adjustment - see Page 4
- b. Flush Valve Setting Adjustments*:

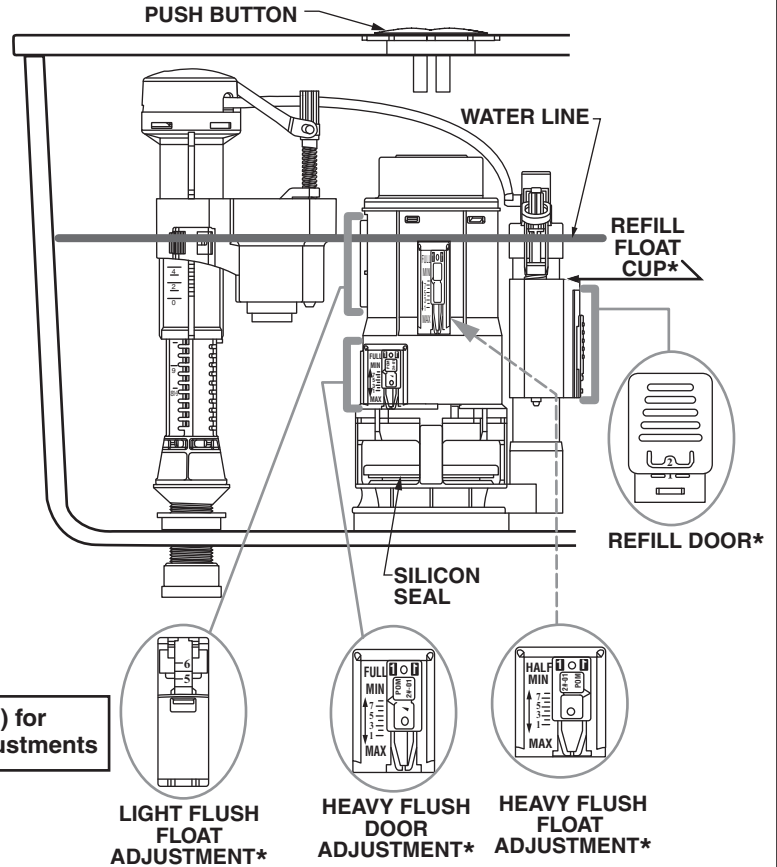
FLUSH VALVE SETTINGS	WITHOUT LINER	WITH LINER
Heavy Flush Float	8	5-1/2
Heavy Flush Door	5	5
Light Flush Float	12	9
Refill Float Cup	8	7
Refill Door	2	2

- c. Refill Control set at 2

NOTE: All other settings will result in either more or less water and are not recommended.

- To remove Flush Valve, apply slight downward pressure and twist it until the flush valve disengages from the bayonet.
- To reinstall Flush Valve, reverse the above procedure.

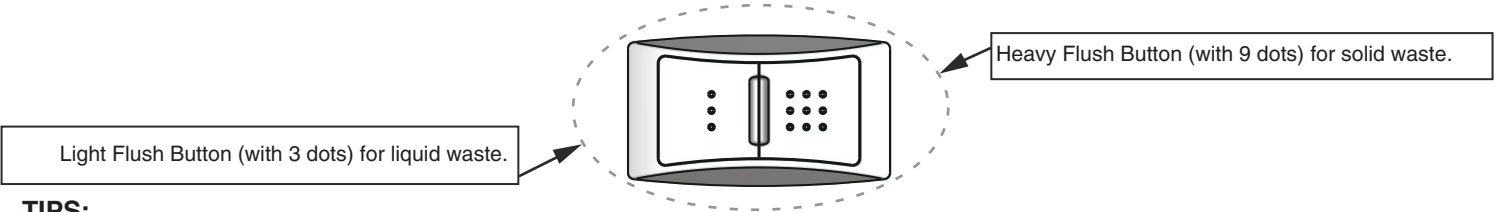
*** See table (Step 10b) for Flush Valve Setting Adjustments**



Install the Button Rods (see **A** below) by threading into lower button until 2-7/8" (75mm) rod length is achieved.

FLUSH BUTTONS ON TANK

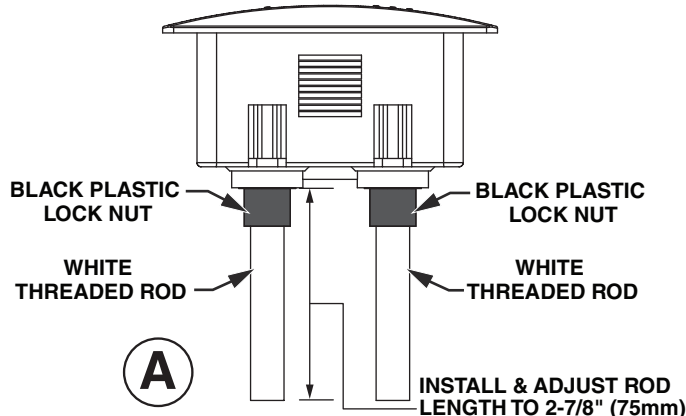
The **Light Flush Button (with 3 dots)** should line up over the **blue actuator** on the flush tower in the tank.
 The **Heavy Flush Button (with 9 dots)** should line up over the **white actuator** on the flush tower in the tank.



TIPS:

If the bowl still does not flush properly after following the steps outlined in the troubleshooting guide, remove the tank lid and push one of the flush buttons on top of the flush valve in the tank. If the flush appears to be normal, you will need to adjust the length of the threaded rods for the push buttons mounted on the tank lid with the settings as follows:

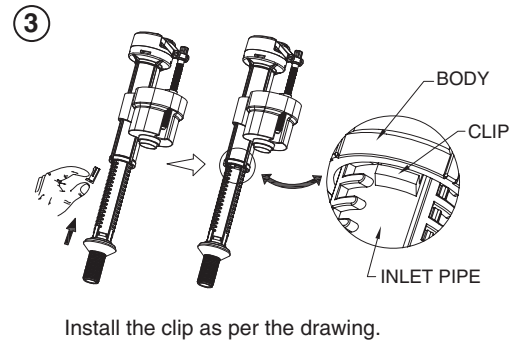
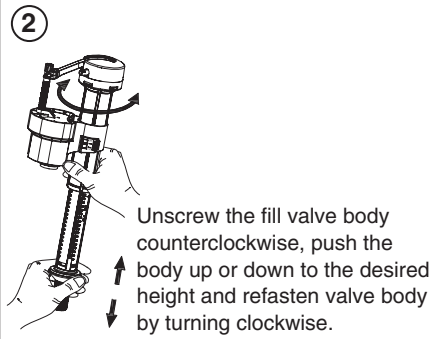
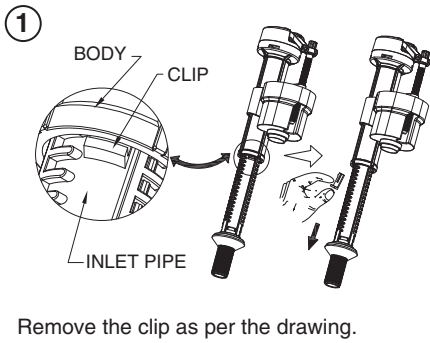
1. Turn the lid upside down.
2. Loosen the black plastic lock nut.
3. Adjust the white threaded rod one turn counterclockwise.
4. Re-tighten the black plastic lock nut.
5. Put lid back on tank and test the flush. If it is still not flushing properly, repeat Tips Steps 1 through 4 (above) until the problem is resolved.
6. If one counterclockwise turn is too much and causes the flush valve to stay open, adjust 1/2 turn clockwise and tighten lock nut.



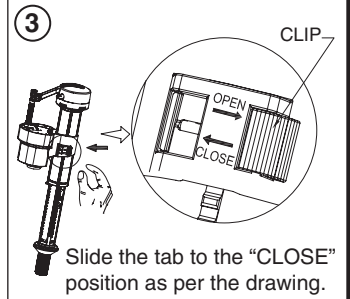
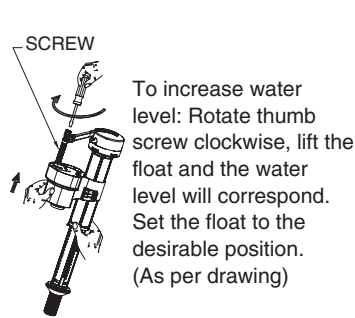
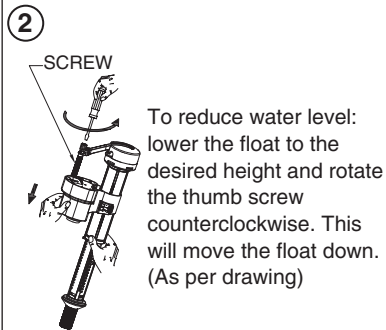
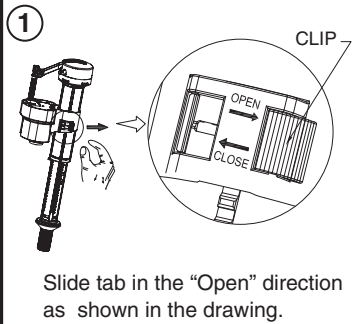
Continued on next page

WATER LEVEL ADJUSTMENT (DUAL FLUSH TANK ONLY)

MAJOR WATER ADJUSTMENT

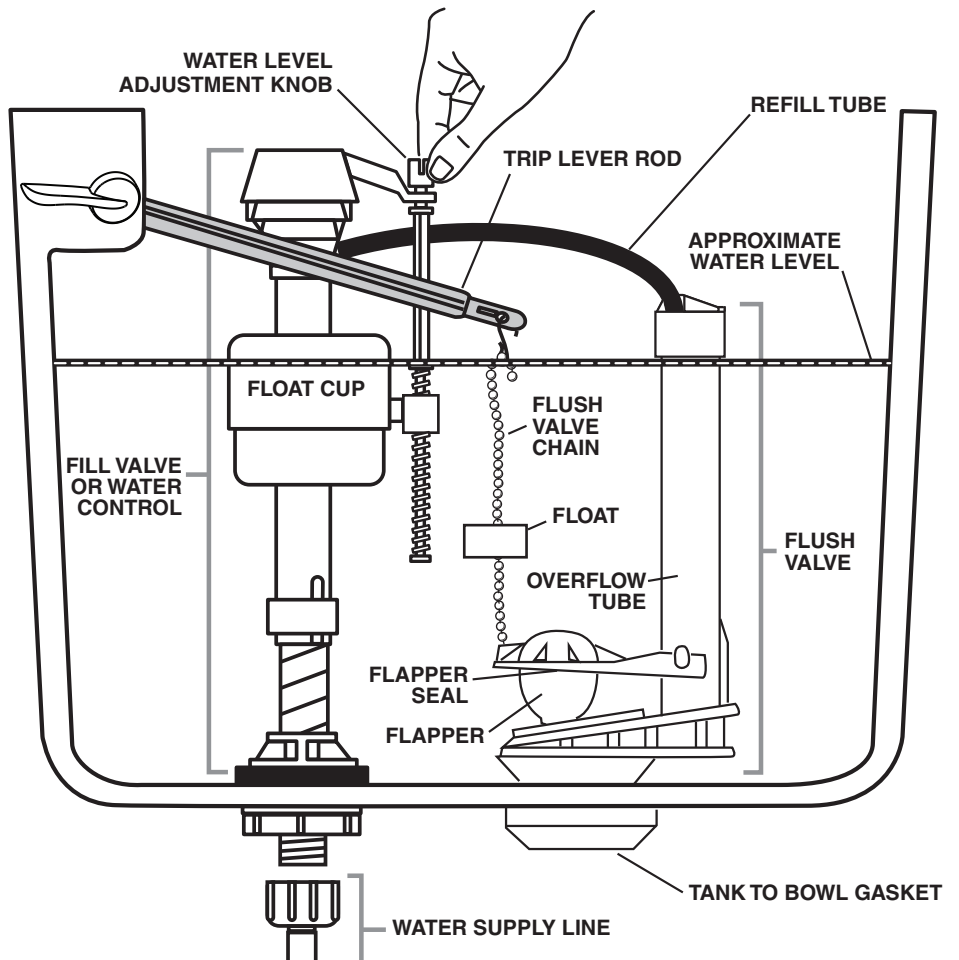


MINOR WATER ADJUSTMENT



11 SINGLE FLUSH MODELS ONLY

Adjust water level to level indicated on tank by turning water level adjustment knob to move float cup up or down.



* for SINGLE FLUSH Models ONLY

** for DUAL FLUSH Models ONLY

TROUBLESHOOTING GUIDE

Problem	Possible Cause	Corrective Action
Does not flush	a. Water supply valve closed. b. Supply line blocked.	a. Open valve and allow water to fill tank. b. Shut off water supply, disconnect supply line and inspect all gaskets and washers. Reassemble.
	*c. Flush valve chain too loose or disconnected.	*c. Readjust chain length as required. See Step 11.
	**c. Push button requires adjustment.	**c. Install Push Button Rods for 2-7/8" (75mm) extended length. See Step 10.
	d. Sand or debris lodged in water control.	*d. Shut off water supply. Remove cap and clean as per Fluidmaster maintenance instructions at: www.americanstandard-us.com/enews/fluidmasterguide.pdf **d. Shut off water supply. Remove supply line, remove & clean inlet port filter.
Poor or sluggish flush	a. Bowl water level too low. b. Supply valve partly closed. c. Partially clogged trapway and/or drain pipe and/or vent. d. Supply pressure too low.	a. Check that refill tube is connected to water control and inserted into overflow tube without being kinked or damaged. b. Open supply valve fully. Be sure that proper supply tube size is used. c. Remove obstruction. Consult a plumber if necessary. d. Normal supply pressure must be at least 20 psi.
Toilet leaks	a. Poor supply line connection. b. Poor bowl to tank/floor connection.	a. Review Steps 9a and 9b of installation procedure. b. Review Steps 1 through 7 of installation procedure.
Toilet does not shut off	a. Flapper seal leaking or deformed. b. Sand or debris lodged in water control.	a. Clean debris from seal surface. Replace flapper seal as needed. *b. Shut off water supply. Remove cap and clean as per Fluidmaster maintenance instructions at: www.americanstandard-us.com/enews/fluidmasterguide.pdf **b. Shut off water supply. Remove supply line, remove & clean filter inlet port.
	*c. Flush valve chain too tight, holding flapper open.	*c. Readjust chain length as needed. See Step 11.
Toilet bowl rocks after installation	a. Wax ring not fully compressed. b. Floor not level.	a. Retighten bowl-to-floor knobs. b. Use toilet shims and /or place a bead of caulk around the base of the toilet.

CARE AND CLEANING

When cleaning your toilet, wash it with mild, soapy water, rinse thoroughly with clear water and dry with a soft cloth. Avoid detergents, disinfectants, or cleaning products in aerosol cans. NEVER use abrasive scouring powders or abrasive pads on your toilet seat. Some bathroom chemicals and cosmetics may damage the seat's finish.

⚠ WARNING: Do not use in-tank cleaners. Products containing chlorine (calcium hypochlorite) can seriously damage fittings in the tank. This damage can cause leakage and property damage.

American Standard shall not be responsible or liable for any tank fitting damage caused by the use of cleaners containing chlorine (calcium hypochlorite).

In the United States:

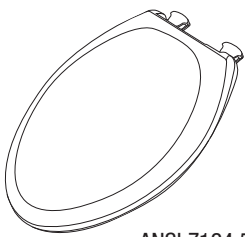
American Standard Brands
P.O. Box 6820
Piscataway, New Jersey 08855
Attention: Director of Customer Care
For residents of the United States, warranty information may also be obtained by calling the following toll free number: (800) 442-1902
www.americanstandard.com

In Canada:

AS Canada, ULC
5900 Avebury Rd.
Mississauga, Ontario
Canada L5R 3M3
Toll Free: (800) 387-0369
www.americanstandard.ca

In Mexico:

American Standard B&K Mexico
S. de R.L. de C.V.
Via Morelos #330
Col. Santa Clara
Ecatepec 55540 Edo. Mexico
Toll Free: 01-800-839-1200
www.americanstandard.com.mx



ANSI Z124.5

CHAMPION® SLOW CLOSE TOILET SEAT ASIENTO "CHAMPION SLOW CLOSE" SIÈGE DE TOILETTE CHAMPION® SLOW CLOSE

MODELS 5330.010, 5325.010
MODELOS 5330.010, 5325.010
MODÈLE 5330.010, 5325.010



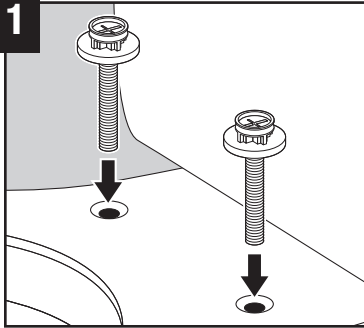
TM

To ensure that your installation proceeds smoothly, please read these instructions carefully before you begin.

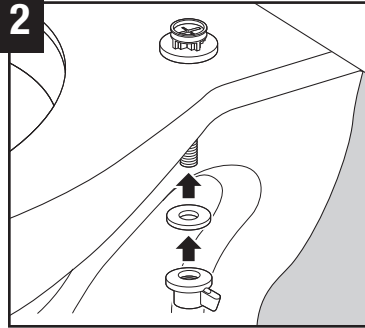
Para asegurarse de una instalación sin problemas, favor de leer estas instrucciones cuidadosamente antes de empezar.

Pour s'assurer d'une installation sans inconvénients, veuillez lire attentivement ces instructions avant de commencer.

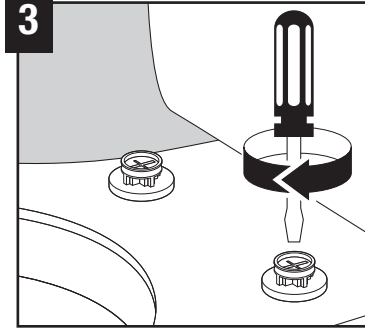
Installation Instructions Instrucciones para instalación Instructions D'Installation



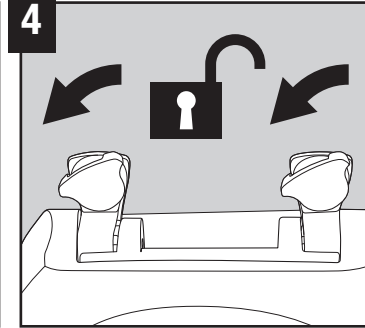
1



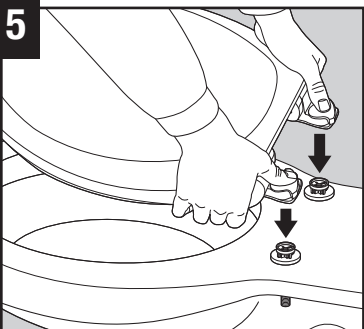
2



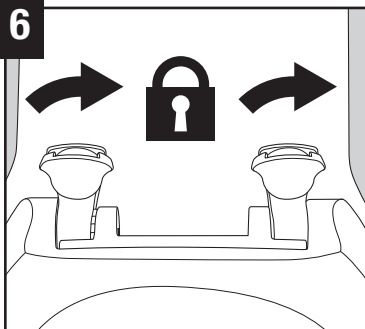
3



4



5



6

7 After installation, check the tightness of the bolts to ensure a tight fit.

Después de la instalación, verifique que los tornillos estén apretados bien para tener un buen ajuste.

Une fois l'installation terminée, vérifiez à l'occasion si les boulons sont bien serrés pour vous assurer d'un bon ajustement.

CARE AND CLEANING...

To facilitate cleaning, the toilet seat may be removed by following the instructions below. When cleaning your toilet seat, wash it with mild, soapy water: rinse the seat thoroughly with clear water and dry with a soft cloth. Avoid detergents, disinfectants, or cleaning products in aerosol cans. NEVER use abrasive scouring powders on your seat. Some bathroom chemicals and cosmetics may damage the seat's finish.

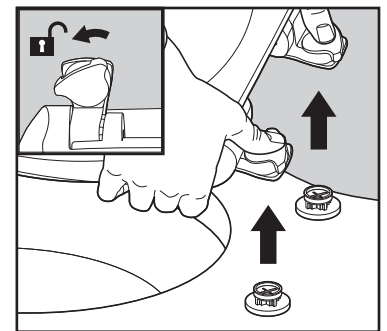
Mantenimiento y Limpieza...

Para limpiar sue inodoro, lávelo en agua preparada con jabón suave, enjuague bien con agua clara y seque con una franela suave. Evite detergentes, desinfectantes, o limpiadores en latas de aerosol. NUNCA use polvos fregados abrasivos o almohadillas abrasivas en el asiento de su inodoro. Algunas sustancias químicas para el baño y cosméticos pueden hacer daño al acabado del asiento. Después de la instalación, periódicamente verifique que los tornillos estén apretados bien para tener un buen ajuste.

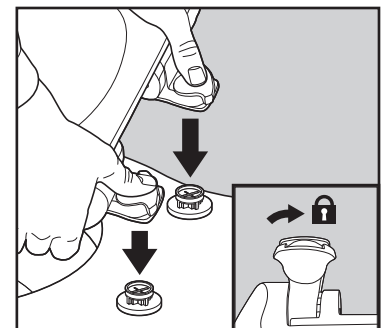
ENTRETIEN ET NETTOYAGE

Afin de faciliter le nettoyage, la siége de toilette peut etre retiré en suivant les instructions présentées ci-dessous. Lorsque vous nettoyez le siége de toilette, lavez-le à l'eau tiède savonneuse. Rincez à fond à l'eau claire et essuyez le siége à l'aide d'un chiffon doux. Evitez les détergents, les désinfectants ou les produits de nettoyage présentés sous forme de bombe aérosol. N'utilisez JAMAIS sur le siége de poudres à récurer abrasives. Certains produits chimiques et cosmétiques pour la salle de bain peuvent endommager le fini du siége. Une fois l'installation terminée, vérifiez si les boulons sont bien serrés pour vous assurer d'un ajustement serré.

REMOVE Para Remover POUR ENLEVER



REPLACE Para Reinstalar POUR REPLACER



AVAILABLE REPLACEMENT PARTS / Piezas de Reemplazo Disponibles / PIÈCES DE RECHANGE DISPONIBLES

PART NUMBER	PART DESCRIPTION	Seat Post Mounting Kit
Número de Parte	Descripción de Parte	Kit de Montaje del Poste del Asiento
NUMÉRO DE LA PIÈCE	DESCRIPTION DE LA PIÈCE	Trousse d'assemblage
760084-0070A		

**AMERICAN STANDARD TEN-YEAR LIMITED WARRANTY
CHAMPION® SLOW CLOSE TOILET SEAT**

If inspection of this American Standard plumbing product, within ten years after its initial installation, confirms that it is defective in materials or workmanship, American Standard will repair or, at its option, exchange the product for a similar model.

This limited warranty **does not apply** to local building code compliance. Since local building codes vary considerably, the purchaser of this product should check with a local building or plumbing contractor to ensure local code compliance before installation.

This warranty **shall be void** if the product has been moved from its initial place of installation; if it has been subjected to faulty maintenance, abuse, misuse, accident or other damage; if it was not installed in accordance with American Standard's instructions; or if it has been modified in a manner inconsistent with the product as shipped by American Standard.

American Standard's option to repair or exchange the product under this warranty does not cover any labor or other costs of removal or installation, **nor shall American Standard be responsible for any other incidental or consequential damages attributable to a product defect or to the repair or exchange of a defective product, all of which are expressly excluded from this warranty.** (Some states or provinces do not allow the exclusion or limitation of implied warranties, so this exclusion may not apply to you.)

This warranty gives you specific legal rights. You may have other statutory rights that vary from state to state or from province to province, in which case this warranty does not affect such statutory rights.

For service under these warranties, it is suggested that a claim be made through the contractor or dealer from or through whom the product was purchased, or that a service request (including a description of the product model and of the defect) be sent to the following address:

**Diez Años de garantía limitada de American Standard para el
Asiento "CHAMPION SLOW CLOSE"**

Si dentro de diez años después de la instalación original de este producto de plomería de American Standard, se confirma que tiene defectos de manufactura o de fabricación, American Standard reparará, o por decisión propia, cambiará el producto por un modelo similar.

Esta garantía limitada no se aplica al cumplimiento de los códigos locales de construcción, debido a que éstos varían considerablemente. Antes de instalar este producto, el comprador debe verificar con un contratista local de construcción o de plomería que el mismo cumple con los códigos locales de construcción.

Esta garantía no es válida si el producto ha sido movido del lugar original de su instalación, si ha estado sometido a un mantenimiento pobre, abusado, mal usado, accidentado, u otros daños; si fue instalado sin seguir las instrucciones de American Standard; o si fue modificado de una forma que no es consistente con el producto enviado por American Standard.

La opción de American Standard para reparar o reemplazar este producto bajo esta garantía no incluye la mano de obra ni otros costos incurridos para removerlo o instalarlo. También queda expresamente excluido de esta garantía que American Standard no será responsable por otros daños directos o indirectos que puedan atribuirse al defecto del producto o a la reparación o cambio del producto defectuoso. (Algunos estados o territorios no permiten esta excepción o limitación de garantías implícitas. Por lo tanto, puede que este excepción no se aplique a su caso.)

Esta garantía le provee a usted derechos legales específicos. Puede que usted tenga otros derechos debido a estatutos que varían de estado a estado o entre los territorios, en cuyo caso esta garantía no afecta estos derechos por estatutos.

Para servicios bajo esta garantía, se sugiere que las reclamaciones sean presentadas al contratista o distribuidor donde se compró el producto o para solicitud de servicio (incluyendo el modelo del producto y una descripción del defecto) sea enviada a la siguiente dirección.

The United States

American Standard Inc.
P.O. Box 6820
Piscataway, New Jersey 08855
Attention: Director of Consumer Affairs

For residents of the United States, warranty information may also be obtained by calling the following toll free number: (800) 442-1902

Canada

American Standard
2480 Stanfield Rd.
Mississauga, Ontario
Canada L4Y 1S2

Sans frais: (800) 387-0369

México

Gerente de servicio al cliente
Ideal Standard, S.A. de C.V.
Vía Morelos #330
Col. Santa Clara
Escatepec 55540 Edo. México

**GARANTIE LIMITÉE DIX ANS AMERICAN STANDARD
SIEGE DE TOILETTE CHAMPION® SLOW CLOSE**

Si une inspection de ce produit de plomberie American Standard, dans un délai de dix (10) ans suite à l'installation initiale, confirme un défaut de matériau ou de fabrication, American Standard s'engage à réparer le produit ou à l'échanger contre un modèle semblable, à sa discrétion.

Cette garantie **ne s'applique pas** aux conformités des codes du bâtiment locaux. Vu que les codes du bâtiment locaux varient largement, l'acheteur de ce produit devrait vérifier auprès d'un entrepreneur en plomberie ou en bâtiment local les codes locaux auxquels il doit se conformer, avant l'installation.

Cette garantie **deviendra nulle et sans effet** si le produit a été déplacé de l'endroit d'installation initial; s'il a été soumis à un mauvais entretien, à l'abus, à une mauvaise utilisation, un accident ou autres dommages; s'il n'a pas été installé selon les instructions d'American Standard; ou s'il a été modifié d'une manière incompatible au produit tel que livré par American Standard.

L'option d'American Standard de réparer ou échanger le produit selon les conditions de cette garantie n'inclut aucuns frais pour la main-d'oeuvre ou autres frais encourus pour l'enlèvement ou l'installation, **ni aucune responsabilité d'American Standard pour tous dommages indirects ou accidentels, attribuables à un défaut dans le produit, ou à la réparation ou l'échange d'un produit défectueux, étant tous expressément exclus de cette garantie.** (Certains états ou provinces ne permettent pas d'exclusion ou de limitation des garanties implicites; cette exclusion peut donc ne pas s'appliquer à vous.)

Cette garantie vous donne des droits légaux spécifiques. Vous pouvez avoir d'autres droits statutaires qui varient d'un état à l'autre ou d'une province à l'autre, dans lequel cas cette garantie n'affecte pas ces droits statutaires.

Pour obtenir le service offert sous ces garanties, nous suggérons de faire une réclamation à l'entrepreneur ou au détaillant par lequel ou chez lequel le produit a été acheté ou de placer une demande de service (incluant une description du modèle du produit et de la défectuosité) en la faisant parvenir:

All product names listed herein are trademarks of American Standard Inc. unless otherwise noted.

Los nombres de los productos incluidos en este manual son marcas registradas de American Standard Inc.

Les noms des produits énumérés aux présentes sont des marques de commerce d'American Standard inc. sauf avis contraire.