

INSTALLATION INSTRUCTIONS



TWO-PIECE PRESSURE-ASSISTED TOILETS

Thank you for selecting American Standard - the benchmark of fine quality for over 100 years. To ensure this product is installed properly, please read these instructions carefully before you begin. (Certain installations may require professional help.) Also be sure your installation conforms to local codes.

⚠ CAUTION: PRODUCT IS FRAGILE. TO AVOID BREAKAGE AND POSSIBLE INJURY HANDLE WITH CARE!

NOTE: For proper operation the recommended working pressure is between 25 psi at valve when flushing and 80 psi static.

RECOMMENDED TOOLS AND MATERIALS

Putty Knife	Regular Screwdriver	Adjustable Wrench	Sealant	Tape Measure
Hacksaw	Wax Ring/Gasket	Flexible Supply Tube	Closet Bolts	Carpenters Level
Closet Flange Set (Cadet Toilets)		Neoprene or Graphite Felt Gasket (Yorkville Toilets)		

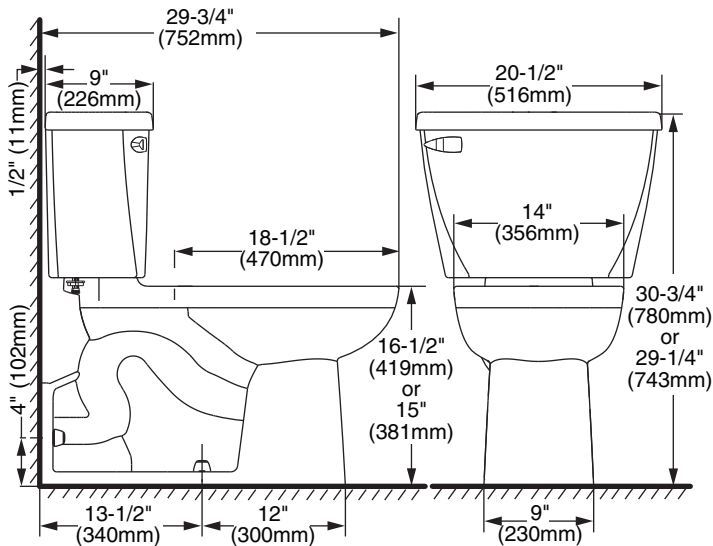
1 REMOVE OLD TOILET

- Close toilet supply valve and flush tank completely. Towel or sponge remaining water from tank and bowl.
- Disconnect and remove supply line. NOTE: *If replacing valve, first shut off main water supply!*
- Remove old mounting hardware, remove toilet and plug floor waste opening to prevent escaping sewer gases.
- Remove closet bolts from flange and clean away old wax, putty, etc. from base area.

NOTE: Mounting surface must be clean and level **before** new toilet is installed!

① FOR YORKVILLE TOILETS:

2-1 DIMENSIONS (Nominal) NOTE: Distance from floor to closet flange centerline (rough-in) must be 4" (102 mm) with flange surface flush to 1/16" (16mm) max. beyond finished wall.



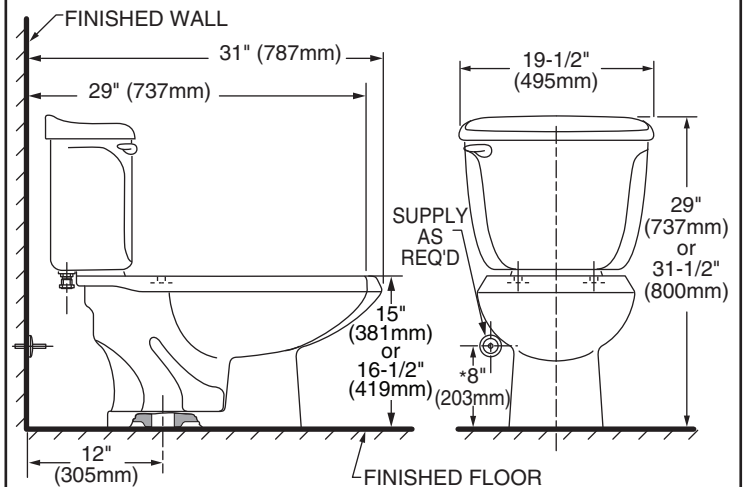
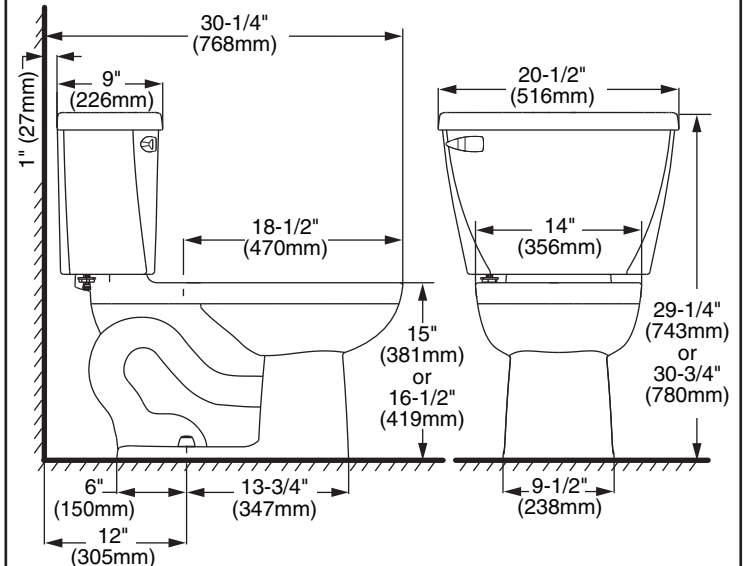
Product names listed herein are trademarks of AS America, Inc.
© AS America, Inc. 2016



7301276-100B

② FOR CADET TOILETS:

2-2 DIMENSIONS (Nominal) NOTE: Distance from wall to closet flange centerline (rough-in) must be 12" (305 mm)

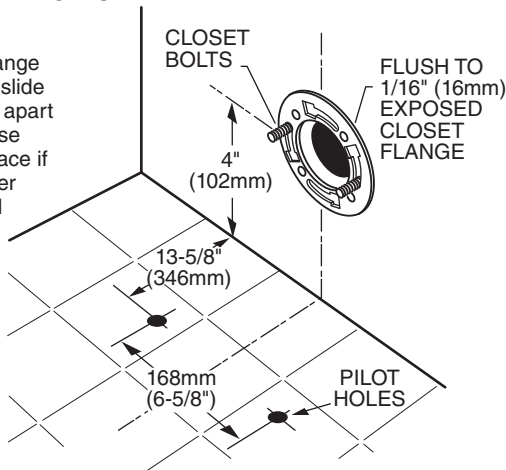


SAVE FOR FUTURE USE

① FOR YORKVILLE TOILETS:

3-1 INSTALL CLOSET BOLTS

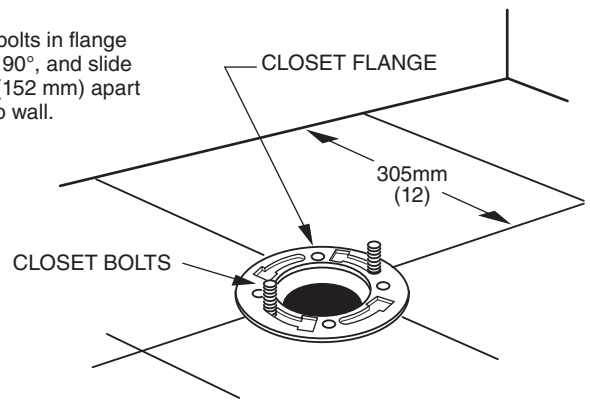
Install closet bolts in flange channel, turn 90°, and slide into place 6" (152 mm) apart and parallel to floor. (Use putty to hold bolts in place if necessary.) Brace under flooring as needed and drill two mounting pilot holes as shown.



② FOR CADET TOILETS:

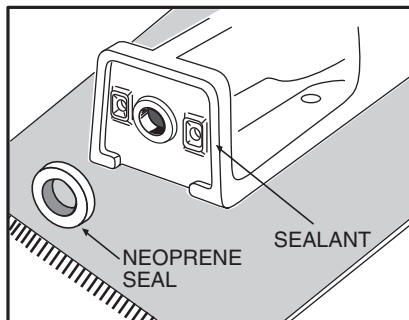
3-2 INSTALL CLOSET BOLTS

Install closet bolts in flange channel, turn 90°, and slide into place 6" (152 mm) apart and parallel to wall.



4-1 INSTALL NEOPRENE OR GRAPHITE FELT SEAL*

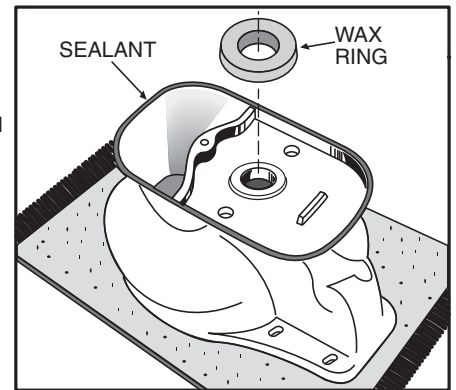
Install seal evenly around waste flange (horn). Apply a thin bead of sealant around base flange.



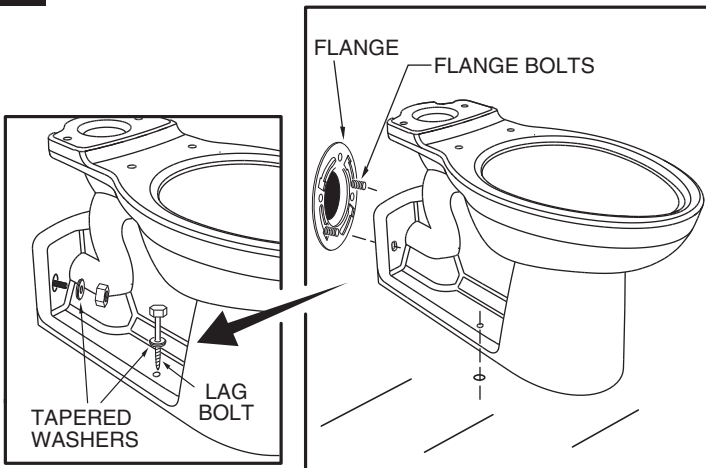
* **Note:** Wax seal not recommended for this application.

4-2 INSTALL WAX SEAL

Invert toilet on floor (cushion to prevent damage), and install wax ring evenly around waste flange (horn), with tapered end of ring facing toilet. Apply a thin bead of sealant around base flange.



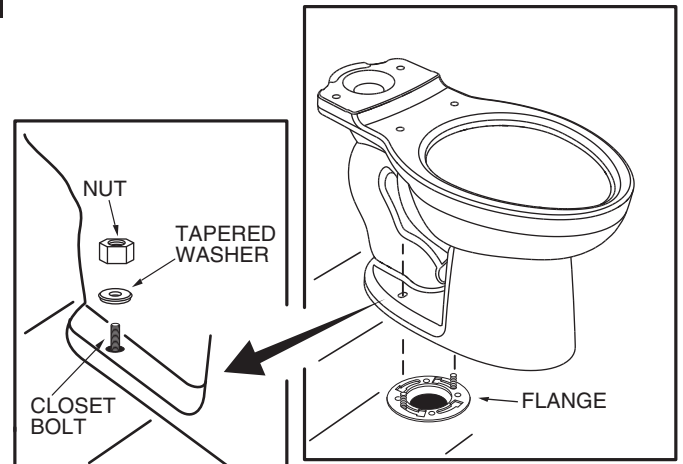
5-1



INSTALL TOILET ON FLANGE

- Unplug waste opening and install toilet on closet flange so bolts project through mounting holes.
- Loosely install retainer washers and nuts. Side of washers marked "THIS SIDE UP" *must* face up!

5-2

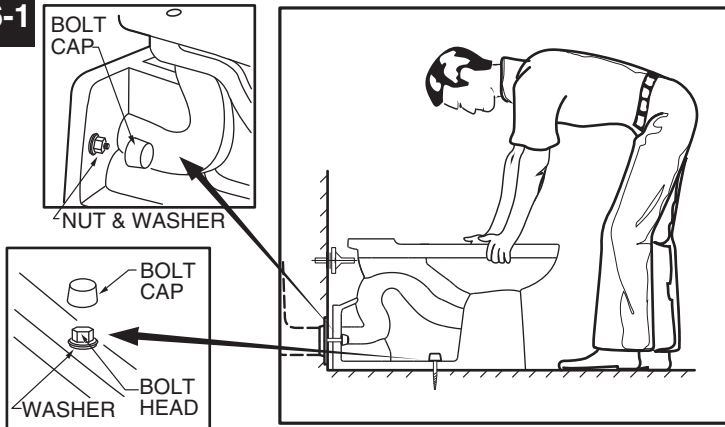


INSTALL TOILET ON FLANGE

- Unplug floor waste opening and install toilet on closet flange so bolts project through mounting holes.
- Loosely install retainer washers and nuts. Side of washers marked "THIS SIDE UP" *must* face up!

① FOR YORKVILLE TOILETS:

6-1

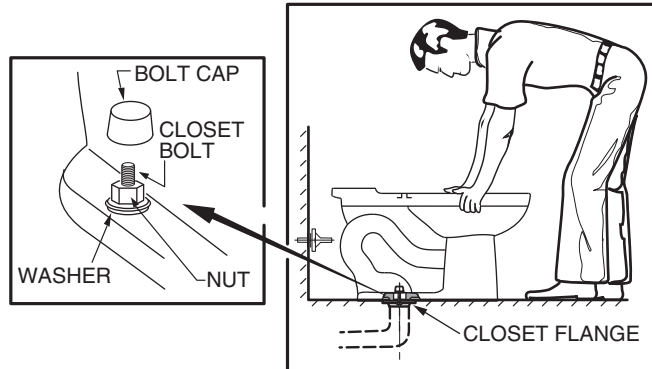


INSTALL TOILET

- Position toilet squarely to wall and, with a rocking motion, push bowl against ring and flange. Alternately tighten nuts until toilet is firmly anchored.
 - ⚠ CAUTION: DO NOT OVERTIGHTEN NUTS OR BASE MAY BE DAMAGED!**
- Insert the tapered washers (supplied in the kit) into the lag bolts (not supplied). Insert bolts through mounting holes and tighten into pre-drilled floor openings.
- Install the four bolt caps on tapered washers. (If necessary, cut wall bolt length to size before installing caps.)
- Smooth off the bead of sealant around base. Remove excess sealant.

② FOR CADET TOILETS:

6-2

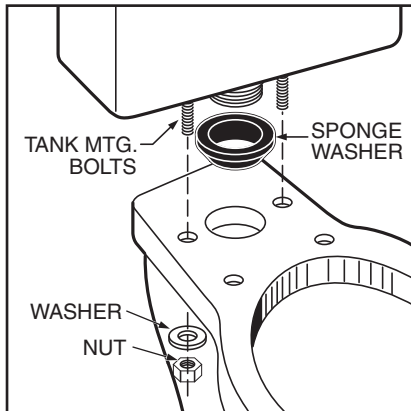


INSTALL TOILET

- Position toilet squarely to wall and, with a rocking motion, press bowl down fully on wax ring and flange. Alternately tighten nuts until toilet is firmly seated on floor.
 - ⚠ CAUTION: DO NOT OVERTIGHTEN NUTS OR BASE MAY BE DAMAGED!**
- Install caps on washers. (If necessary, cut bolt height to size before installing caps.)
- Smooth off the bead of sealant around base. Remove excess sealant.

7 INSTALL TANK

- Install large rubber gasket over threaded outlet on bottom of tank and lower tank onto bowl so that tapered end of gasket fits evenly into bowl water inlet opening, and tank mounting bolts go through mounting holes. Secure with metal washers and nuts.
- With tank parallel to wall, alternately tighten nuts until tank is snugged down evenly against bowl surface.



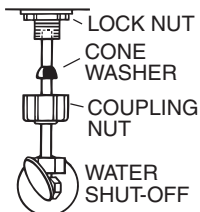
⚠ CAUTION: DO NOT OVERTIGHTEN NUTS MORE THAN REQUIRED FOR A SNUG FIT!

8 INSTALL TOILET SEAT

Install toilet seat in accordance with manufacturer's directions.

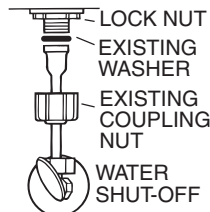
- Before continuing, determine the type of water supply connection you have from the chart below and use the appropriate assembly parts required to properly reconnect the water supply. DO NOT use plumber's putty to seal these fittings.

METAL/COPPER FLARED TUBING



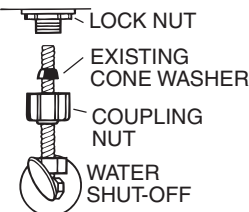
These parts must be used as illustrated to insure water-tight connection. Use of existing coupling nut may result in water leakage. Water supply tube or pipe must extend at least 1/2" inside threaded shank of valve (does not apply to flanged tubing).

METAL FLANGED TUBING



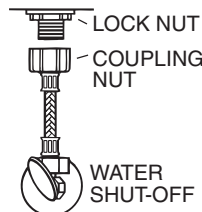
Use existing coupling nut and washer.

METAL SPIRAL TUBING



Use existing spiral cone washer. Fluidmaster cone washer may not seal completely on spiral type supply line.

VINYL/BRAIDED CONNECTOR



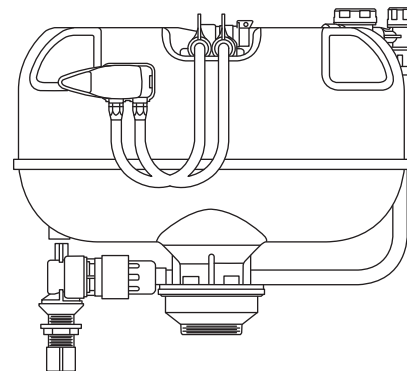
Captive cone washers already included. No additional washers needed.

CAUTION: DO NOT USE CONE WASHER WITH PLASTIC SUPPLY LINE.

CAUTION: Overtightening of LOCK NUT or COUPLING NUT could result in breakage and potential flooding.

10 ADJUSTMENTS

The flushometer tank is designed and factory-adjusted to provide a consistent, safe seal depth in the bowl after each flush. Field refill adjustment is not required. The refill has been preset and locked.



11 CARE AND CLEANING

When cleaning your toilet, wash it with mild, soapy water, rinse thoroughly with clear water and dry with a soft cloth. Avoid detergents, disinfectants, or cleaning products in aerosol cans. NEVER use abrasive scouring powders or abrasive pads on your toilet seat. Some bathroom chemicals and cosmetics may damage the seat's finish.

TROUBLESHOOTING GUIDE

NOTE: The presence of a small amount of water in the bottom of the tank is normal. The air inducer is designed to leak for short periods during each flush cycle as a self-cleaning action. Dripping is drained into the bowl. If used on water system containing excessive sand and/or debris, a periodic cleanup of inlet strainer is recommended. (See enclosed instructions for strainer cleaning.)

⚠ WARNING: When servicing or replacing components of the flushometer tank system, be sure that the water supply is shut off and the toilet is flushed to relieve pressure in the flushometer tank. For service of the Flushometer Tank System, see enclosed literature.

PROBLEM	POSSIBLE CAUSE	CORRECTIVE ACTION
Does not flush	<ul style="list-style-type: none"> a. Water supply valve closed. b. Supply line blocked. c. Trip lever linkage damaged. 	<ul style="list-style-type: none"> a. Open valve and allow water to fill tank. b. Shut off water supply, disconnect supply line, and inspect all gaskets and washers. Reassemble. c. Check trip lever, linkage, and actuator wire assemblies for damage.
Poor or sluggish flush	<ul style="list-style-type: none"> a. Supply valve partly closed. b. Plugged inlet strainer. c. Supply pressure too low. d. Partially clogged trapway and/or drain pipe and/or vent. e. Malfunctioning pressure regulator. 	<ul style="list-style-type: none"> a. Open supply valve fully. Be sure that proper supply tube size is used. b. Remove and clean strainer per enclosed instructions c. Normal supply pressure must be at least 25 psi. d. Remove obstruction. Consult a plumber if necessary. e. Replace lower supply assembly.
Toilet leaks	<ul style="list-style-type: none"> a. Poor bowl to tank/floor connection. 	<ul style="list-style-type: none"> a. Review Step 4 through 7 of installation procedure.
Toilet does not shut off	<ul style="list-style-type: none"> a. Supply pressure too low. 	<ul style="list-style-type: none"> a. Normal supply pressure must be at least 25 psi.

AS AMERICA, INC. ONE YEAR LIMITED WARRANTY

If inspection of this AS America, Inc. ("American Standard") plumbing product, within one year after its initial purchase, confirms that it is defective in materials or workmanship, American Standard will repair or, at its option, exchange the product for a similar model.

This limited warranty applies only to the original purchaser and installation of these products. In the event of a limited warranty claim, proof of purchase will be required—save sales receipt.

This limited warranty does not apply to local building code compliance. Since local building codes vary considerably, the purchaser of this product should check with a local building or plumbing contractor to insure local code compliance before installation.

This limited warranty is void if the product has been moved from its initial place of installation; if it has been subjected to faulty maintenance, abuse, misuse, accident or other damages; if it was not installed in accordance with American Standard's instructions; or if it has been modified in a manner inconsistent with the product as shipped by American Standard.

American Standard's option to repair or exchange the product under this limited warranty does not cover any labor or other costs of removal or installation. IN NO EVENT WILL AMERICAN STANDARD BE LIABLE FOR THE COST OF REPAIR OR REPLACEMENT OF ANY INSTALLATION MATERIALS, INCLUDING BUT NOT LIMITED TO TILES, MARBLE ETC. American Standard will not be responsible for any other incidental or consequential damages attributable to a product defect or to the repair or exchange of a defective product, all of which are expressly excluded from this limited warranty. This limited warranty does not cover any liability for consequential or incidental damages, all of which are hereby expressly disclaimed, or the extension beyond the duration of this limited warranty of any implied limited warranties, including those of merchantability or fitness for an intended purpose. (Some states or provinces do not allow the exclusion or limitation of implied limited warranties, so this exclusion may not apply to you.)

This limited warranty gives you specific legal rights. You may have other statutory rights that vary from state to state or from province to province, in which case this limited warranty does not affect such statutory rights.

For service under this warranty, it is suggested that a claim be made through the contractor or dealer from or through whom the product was purchased, or that a service request (including a description of the product model and of the defect) be sent to the following address:

In the United States:

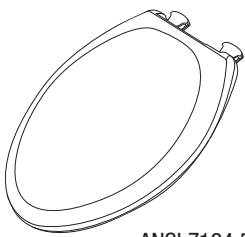
American Standard Brands
 P.O. Box 6820
 Piscataway, New Jersey 08855
 Attention: Director of Customer Care
 For residents of the United States, warranty information may also be obtained by calling the following toll free number: (800) 442-1902
www.americanstandard.com

In Canada:

AS Canada, ULC
 5900 Avebury Rd.
 Mississauga, Ontario
 Canada L5R 3M3
 Toll Free: (800) 387-0369
www.americanstandard.ca

In Mexico:

American Standard B&K Mexico
 S. de R.L. de C.V.
 Via Morelos #330
 Col. Santa Clara
 Ecatepec 55540 Edo. Mexico
 Toll Free: 01-800-839-1200
www.americanstandard.com.mx



ANSI Z124.5

CHAMPION® SLOW CLOSE TOILET SEAT ASIENTO "CHAMPION SLOW CLOSE" SIÈGE DE TOILETTE CHAMPION® SLOW CLOSE

MODELS 5330.010, 5325.010
MODELOS 5330.010, 5325.010
MODÈLE 5330.010, 5325.010



TM

To ensure that your installation proceeds smoothly, please read these instructions carefully before you begin.

Para asegurarse de una instalación sin problemas, favor de leer estas instrucciones cuidadosamente antes de empezar.

Pour s'assurer d'une installation sans inconvénients, veuillez lire attentivement ces instructions avant de commencer.

Installation Instructions Instrucciones para instalación Instructions D'Installation

1

2

3

4

5

6

7 After installation, check the tightness of the bolts to ensure a tight fit.

Después de la instalación, verifique que los tornillos estén apretados bien para tener un buen ajuste.

Une fois l'installation terminée, vérifiez à l'occasion si les boulons sont bien serrés pour vous assurer d'un bon ajustement.

CARE AND CLEANING...

To facilitate cleaning, the toilet seat may be removed by following the instructions below. When cleaning your toilet seat, wash it with mild, soapy water: rinse the seat thoroughly with clear water and dry with a soft cloth. Avoid detergents, disinfectants, or cleaning products in aerosol cans. NEVER use abrasive scouring powders on your seat. Some bathroom chemicals and cosmetics may damage the seat's finish.

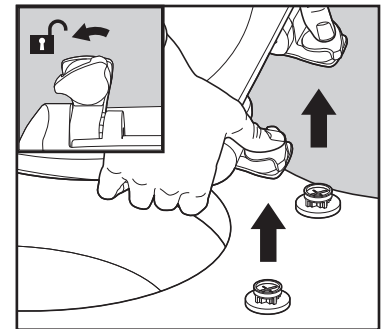
Mantenimiento y Limpieza...

Para limpiar sue inodoro, lávelo en agua preparada con jabón suave, enjuague bien con agua clara y seque con una franela suave. Evite detergentes, desinfectantes, o limpiadores en latas de aerosol. NUNCA use polvos fregados abrasivos o almohadillas abrasivas en el asiento de su inodoro. Algunas sustancias químicas para el baño y cosméticos pueden hacer daño al acabado del asiento. Después de la instalación, periódicamente verifique que los tornillos estén apretados bien para tener un buen ajuste.

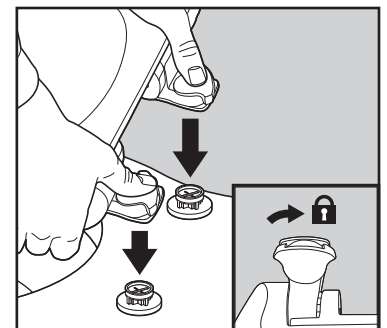
ENTRETIEN ET NETTOYAGE

Afin de faciliter le nettoyage, la siège de toilette peut être retiré en suivant les instructions présentées ci-dessous. Lorsque vous nettoyez le siège de toilette, lavez-le à l'eau tiède savonneuse. Rincez à fond à l'eau claire et essuyez le siège à l'aide d'un chiffon doux. Evitez les détergents, les désinfectants ou les produits de nettoyage présentés sous forme de bombe aérosol. N'utilisez JAMAIS sur le siège de poudres à récurer abrasives. Certains produits chimiques et cosmétiques pour la salle de bain peuvent endommager le fini du siège. Une fois l'installation terminée, vérifiez si les boulons sont bien serrés pour vous assurer d'un ajustement serré.

REMOVE Para Remover POUR ENLEVER



REPLACE Para Reinstalar POUR REPLACER



AVAILABLE REPLACEMENT PARTS / Piezas de Reemplazo Disponibles / PIÈCES DE RECHANGE DISPONIBLES

PART NUMBER	PART DESCRIPTION	Seat Post Mounting Kit
Número de Parte	Descripción de Parte	Kit de Montaje del Poste del Asiento
NUMÉRO DE LA PIÈCE	DESCRIPTION DE LA PIÈCE	Trousse d'assemblage
760084-0070A		

**AMERICAN STANDARD TEN-YEAR LIMITED WARRANTY
CHAMPION® SLOW CLOSE TOILET SEAT**

If inspection of this American Standard plumbing product, within ten years after its initial installation, confirms that it is defective in materials or workmanship, American Standard will repair or, at its option, exchange the product for a similar model.

This limited warranty **does not apply** to local building code compliance. Since local building codes vary considerably, the purchaser of this product should check with a local building or plumbing contractor to ensure local code compliance before installation.

This warranty **shall be void** if the product has been moved from its initial place of installation; if it has been subjected to faulty maintenance, abuse, misuse, accident or other damage; if it was not installed in accordance with American Standard's instructions; or if it has been modified in a manner inconsistent with the product as shipped by American Standard.

American Standard's option to repair or exchange the product under this warranty does not cover any labor or other costs of removal or installation, **nor shall American Standard be responsible for any other incidental or consequential damages attributable to a product defect or to the repair or exchange of a defective product, all of which are expressly excluded from this warranty.** (Some states or provinces do not allow the exclusion or limitation of implied warranties, so this exclusion may not apply to you.)

This warranty gives you specific legal rights. You may have other statutory rights that vary from state to state or from province to province, in which case this warranty does not affect such statutory rights.

For service under these warranties, it is suggested that a claim be made through the contractor or dealer from or through whom the product was purchased, or that a service request (including a description of the product model and of the defect) be sent to the following address:

**Diez Años de garantía limitada de American Standard para el
Asiento "CHAMPION SLOW CLOSE"**

Si dentro de diez años después de la instalación original de este producto de plomería de American Standard, se confirma que tiene defectos de manufactura o de fabricación, American Standard reparará, o por decisión propia, cambiará el producto por un modelo similar.

Esta garantía limitada no se aplica al cumplimiento de los códigos locales de construcción, debido a que éstos varían considerablemente. Antes de instalar este producto, el comprador debe verificar con un contratista local de construcción o de plomería que el mismo cumple con los códigos locales de construcción.

Esta garantía no es válida si el producto ha sido movido del lugar original de su instalación, si ha estado sometido a un mantenimiento pobre, abusado, mal usado, accidentado, u otros daños; si fue instalado sin seguir las instrucciones de American Standard; o si fue modificado de una forma que no es consistente con el producto enviado por American Standard.

La opción de American Standard para reparar o reemplazar este producto bajo esta garantía no incluye la mano de obra ni otros costos incurridos para removerlo o instalarlo. También queda expresamente excluido de esta garantía que American Standard no será responsable por otros daños directos o indirectos que puedan atribuirse al defecto del producto o a la reparación o cambio del producto defectuoso. (Algunos estados o territorios no permiten esta excepción o limitación de garantías implícitas. Por lo tanto, puede que este excepción no se aplique a su caso.)

Esta garantía le provee a usted derechos legales específicos. Puede que usted tenga otros derechos debido a estatutos que varían de estado a estado o entre los territorios, en cuyo caso esta garantía no afecta estos derechos por estatutos.

Para servicios bajo esta garantía, se sugiere que las reclamaciones sean presentadas al contratista o distribuidor donde se compró el producto o para solicitud de servicio (incluyendo el modelo del producto y una descripción del defecto) sea enviada a la siguiente dirección.

The United States

American Standard Inc.
P.O. Box 6820
Piscataway, New Jersey 08855
Attention: Director of Consumer Affairs

For residents of the United States, warranty information may also be obtained by calling the following toll free number: (800) 442-1902

Canada

American Standard
2480 Stanfield Rd.
Mississauga, Ontario
Canada L4Y 1S2

Sans frais: (800) 387-0369

México

Gerente de servicio al cliente
Ideal Standard, S.A. de C.V.
Vía Morelos #330
Col. Santa Clara
Escatepec 55540 Edo. México

**GARANTIE LIMITÉE DIX ANS AMERICAN STANDARD
SIEGE DE TOILETTE CHAMPION® SLOW CLOSE**

Si une inspection de ce produit de plomberie American Standard, dans un délai de dix (10) ans suite à l'installation initiale, confirme un défaut de matériau ou de fabrication, American Standard s'engage à réparer le produit ou à l'échanger contre un modèle semblable, à sa discrétion.

Cette garantie **ne s'applique pas** aux conformités des codes du bâtiment locaux. Vu que les codes du bâtiment locaux varient largement, l'acheteur de ce produit devrait vérifier auprès d'un entrepreneur en plomberie ou en bâtiment local les codes locaux auxquels il doit se conformer, avant l'installation.

Cette garantie **deviendra nulle et sans effet** si le produit a été déplacé de l'endroit d'installation initial; s'il a été soumis à un mauvais entretien, à l'abus, à une mauvaise utilisation, un accident ou autres dommages; s'il n'a pas été installé selon les instructions d'American Standard; ou s'il a été modifié d'une manière incompatible au produit tel que livré par American Standard.

L'option d'American Standard de réparer ou échanger le produit selon les conditions de cette garantie n'inclut aucuns frais pour la main-d'oeuvre ou autres frais encourus pour l'enlèvement ou l'installation, **ni aucune responsabilité d'American Standard pour tous dommages indirects ou accidentels, attribuables à un défaut dans le produit, ou à la réparation ou l'échange d'un produit défectueux, étant tous expressément exclus de cette garantie.** (Certains états ou provinces ne permettent pas d'exclusion ou de limitation des garanties implicites; cette exclusion peut donc ne pas s'appliquer à vous.)

Cette garantie vous donne des droits légaux spécifiques. Vous pouvez avoir d'autres droits statutaires qui varient d'un état à l'autre ou d'une province à l'autre, dans lequel cas cette garantie n'affecte pas ces droits statutaires.

Pour obtenir le service offert sous ces garanties, nous suggérons de faire une réclamation à l'entrepreneur ou au détaillant par lequel ou chez lequel le produit a été acheté ou de placer une demande de service (incluant une description du modèle du produit et de la défectuosité) en la faisant parvenir:

All product names listed herein are trademarks of American Standard Inc. unless otherwise noted.

Los nombres de los productos incluidos en este manual son marcas registradas de American Standard Inc.

Les noms des produits énumérés aux présentes sont des marques de commerce d'American Standard inc. sauf avis contraire.