

**AFWALL® MILLENIUM™ 1.6 GPF
FLUSHOMETER TOILET SYSTEM with EVERCLEAN®**

- 2856.016** 1.6 gpf Exposed Top Spud Bowl and Manual Flush Valve

BOWL:

- Wall-mount elongated flushometer valve toilet
- Vitreous china
- High Efficiency. Operates in the range of 1.1 gpf to 1.6 gpf (4.2 Lpf to 6.0 Lpf)
- Permanent EverClean® surface inhibits the growth of stain- and odor-causing bacteria, mold, and mildew on the surface
- Condensation channel
- Direct-fed siphon jet action
- 1-1/2" inlet spud
- Fully glazed 2-1/8" trapway
- 10" x 12" water surface area
- 100% factory flush tested
- Bolt caps and seat not included
- Model 3351.101

MANUAL FLUSH VALVE:

- Manual Piston-Type Water Closet Flush Valve for floor-mounted or wall-hung 1-1/2" top spud bowls
- Self-cleaning brass piston with integral wiper spring prevents clogging and reduces maintenance
- Piston operation delivers superior flush accuracy and repeatability
- Piston valve remains closed and does not need to be reset after loss of water pressure
- ADA compliant non-hold open handle provides automatic shut-off after every flush
- Positive seal ensures leak-free performance
- No external volume adjustment
- Durable chrome-plated cast brass construction is ideal for commercial applications
- Chloramine-resistant EPDM seals
- Adjustable tailpiece for rough-in flexibility
- Can be installed left or right handed
- Model 6047.161.002

Includes:

- 047007-0070A Inlet spud (furnished with bowl)
- 1" I.P.S. angle stop with back-flow prevention and vandal-resistant cap
- Sweat solder kit including cover tube and wall flange
- High back pressure vacuum breaker with down tube
- Spud coupling & flange for 1-1/2" top spud

To Be Specified:

- Color: White
- Seat: 5901.100 American Standard Seat
- 5901.110 American Standard Seat with EverClean®
- Alternate Seat: 5905.100 Heavy Duty American Standard Seat
- 5905.110 Heavy Duty American Standard Seat with EverClean
- Carrier Fitting (by others):



SEE REVERSE FOR ROUGHING-IN DIMENSIONS

System MaP* Score:

- 1,000 grams of miso @ 1.6 gpf

* Maximum Performance (MaP) testing performed by IAPMO R&T Lab. MaP Report conducted by Veritec Consulting, Inc. and Koeller and Company.

Operating Pressure:

Overall Range: 20-125 psi**

Recommended: 25 psi (flowing)-80 psi (static)

** Water pressure over 80 psi is not recommended for most plumbing fixtures.

Flow Requirement:

25gpm (94.6 L/min.)

Nominal Fixture Dimensions:

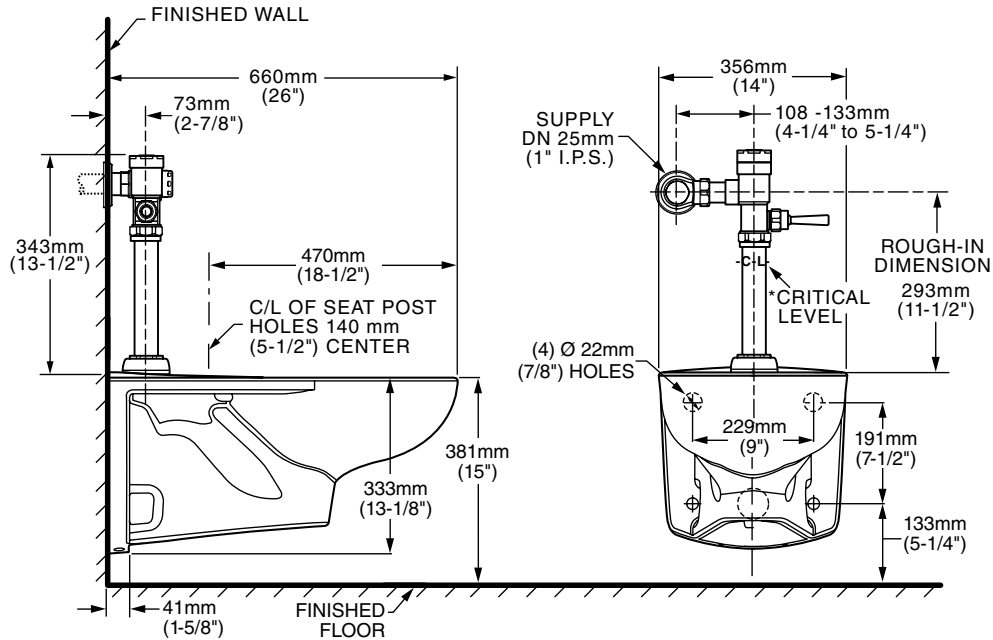
660 x 356 x 381mm (26" x 14" x 15")

**Fixture Compliance Certifications -
Meets or Exceeds the Following
Specifications:**

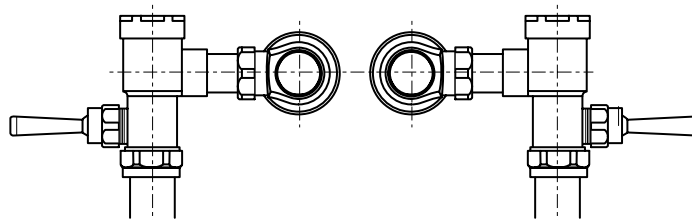
- ASME A112.19.2-2008 / CSA B45.1-08
for Vitreous China Fixtures

Valve Listings:

- ASSE 1037
- ANSI/ASME A112.19.2
- ADA Compliant



*Note: The Critical Line (-C-L) on Vacuum Breaker must typically be a minimum of 6" (152mm) above fixture. Consult Codes for details.



Valve Left or Right Hand Installation



**MEETS THE AMERICANS WITH DISABILITIES ACT GUIDELINES
AND ANSI A117.1 ACCESSIBLE AND USABLE BUILDINGS AND
FACILITIES - CHECK LOCAL CODES.**

- When installed so that top of seat is 432 to 483mm (17" to 19") from the finished floor.

**NOTES:
WASTE OUTLET SEAL RING MUST BE NEOPRENE OR GRAPHITE-FELT (WAX RING
NOT RECOMMENDED).**

SUGGESTED 2mm (1/16) CLEARANCE BETWEEN FACE OF WALL AND BACK OF BOWL.
TO COMPLY WITH AREA CODE GOVERNING THE HEIGHT OF VACUUM BREAKER ON
THE FLUSHOMETER VALVE, THE PLUMBER MUST VERIFY DIMENSIONS SHOWN FOR
SUPPLY ROUGHING.

CARRIER FITTING AS REQUIRED TO BE FURNISHED BY OTHERS.
PROVIDE SUITABLE REINFORCEMENT FOR ALL WALL SUPPORT.

IMPORTANT: Dimensions of fixtures are nominal and may vary within the range of
tolerances established by ANSI Standard A112.19.2.
These measurements are subject to change or cancellation. No responsibility is assumed
for use of superseded or voided pages

COMMERCIAL TOILET SEATS

- Open front toilet seat less cover
- Injection molded solid polypropylene
- Fits elongated bowl
- Features large molded-in bumpers
- External check hinge with 304 Series stainless steel hinge posts stops seat 11° beyond vertical
- Our new EverClean® surface inhibits the growth of stain- and odor-causing bacteria, mold, and mildew on the surface. EverClean® surface does not protect against disease causing bacteria, viruses, germs or other disease causing organisms.

- 5901.100** Elongated Heavy Duty bowl open front seat less cover
- 5901.110** Same as 5901.100 with EverClean® Surface

- 5905.100** Elongated Extra Heavy Duty bowl open front seat less cover
- 5905.110** Same as 5905.100 with EverClean® Surface

To Be Specified:

- Color: White

- 5910.100** Elongated Extra Heavy Duty Plus bowl open front seat less cover
- 5910.110** Same as 5910.100 with EverClean® Surface

To Be Specified:

- Color: White Linen Bone Silver
 Fawn Beige Black

SEE REVERSE FOR ROUGHING-IN DIMENSIONS



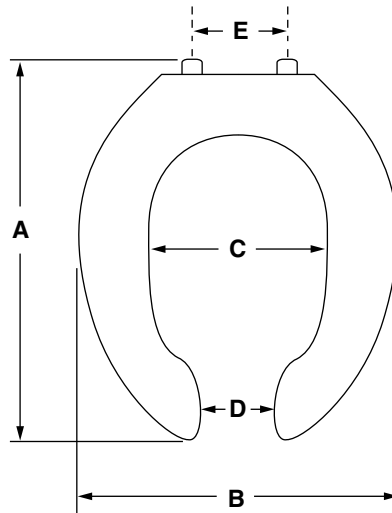
5901



5905



5910



Model #	5901	5905	5910
A	18-9/16" (471mm)	18-9/16" (471mm)	18-3/16" (462mm)
B	14-3/8" (365mm)	14-3/16" (360mm)	14-3/16" (360mm)
C	7-7/8" (200mm)	7-5/8" (194mm)	7-7/8" (200mm)
D	3-1/2" (89mm)	3" (76mm)	3-1/2" (89mm)
E	5-1/2" (140mm)	5-1/2" (140mm)	5-1/2" (140mm)
Ring Thickness	7/8" (22mm)	1" (25mm)	1" (25mm)
Ring Thickness with Bumper	1" (25mm)	1-1/8" (29mm)	1-1/8" (29mm)