

AFWALL® FloWise® ADA RETROFIT with EVERCLEAN®

- Wall-mounted elongated flushometer valve toilet
- Vitreous china
- High Efficiency, Low Consumption. Operates in the range of 1.28 gpf to 1.6 gpf (4.9 Lpf to 6.0 Lpf).
- Meets definition of HET (High Efficiency Toilet) when used with a 1.28 gpf high efficiency flush valve.
- Permanent EverClean® surface inhibits the growth of stain- and odor-causing bacteria, mold, and mildew on the surface
- Condensation channel
- Powerful direct-fed siphon jet action
- Fully-glazed 2-1/8" trapway
- 1-1/2" inlet spud
- 10" x 12" water surface area
- 100% factory flush tested

- 2294.011EC** Elongated bowl only, top spud
- 2296.019EC** Elongated bowl only, top spud with slotted rim for bedpan holding (White only)

Afwall FloWise ADA bowl replaces standard wall-hung 3.5 GPF or 1.6 GPF models and roughs-in at 410mm (16-1/8") rim height **to meet ADA with no need to modify the existing carrier or through wall supply** (providing centerline of current outlet is 133mm [5-1/4"] above finished floor).

System MaP* Score:

- 1,000 grams of miso @ 1.6 gpf or 1.28 gpf when used with an American Standard flush valve
- * Maximum Performance (MaP) testing performed by IAPMO R&T Lab. MaP Report conducted by Veritec Consulting, Inc. and Koeller and Company.

Component Parts:

- 047007-0070A** Inlet spud (furnished with bowl)
- 736046-100** Flushometer valve rough-in adapter kit (furnished with bowl)

Nominal Dimensions:

635 x 375 x 410mm
(25" x 14-3/4" x 16-1/8")

For Top spud bowls, American Standard kit #736046-100 Flushometer Valve Conversion Kit containing a 25mm (1") chrome-plated street ell, a vacuum breaker, and a 330mm (13") tail piece included to meet minimum 152mm (6") code between bowl and vacuum breaker.

Recommended working pressure—between 25 psi at valve when flushing and 80 psi static

Fixture only, less seat, carrier, bolt caps, and flush valve

Compliance Certifications -

Meets or Exceeds the Following Specifications:

- ASME A112.19.2-2008/CSA B45.1-08 for Vitreous China Fixtures



SEE REVERSE FOR ROUGHING-IN DIMENSIONS

To Be Specified:

- Color: White Bone Linen Black
- Seat:
 - American Standard #5901.100 Heavy duty open front less cover
 - American Standard #5905.100 Extra heavy duty open front less cover
 - American Standard #5905.110 Extra heavy duty open front less cover with EverClean® Surface
 - Other
- Flushometer Valve:
 - 1.6 gpf:
 - Sensor-Operated: American Standard Selectronic® DC Power #6065.161.002 (Top Spud)
 - Manual: American Standard #6047.161.002 (Top Spud)
 - 1.28 gpf:
 - Sensor-Operated: American Standard Selectronic® DC Power #6065.121.002 (Top Spud)
 - Manual: American Standard #6047.121.002 (Top Spud)
 - Carrier Fitting J.R. Smith 210L or equal



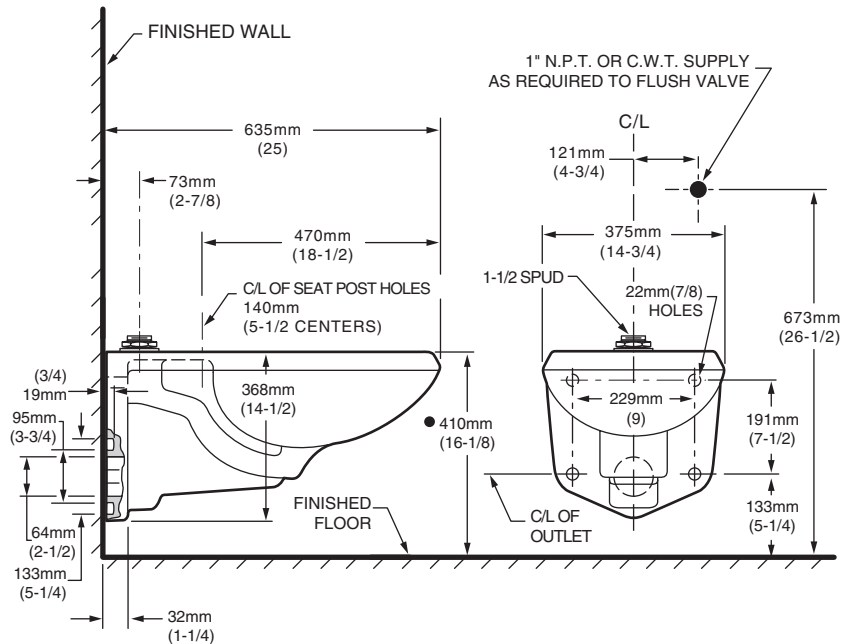
MEETS THE AMERICANS WITH DISABILITIES ACT GUIDELINES AND ANSI A117.1 REQUIREMENTS FOR ACCESSIBLE AND USABLE BUILDING FACILITIES - CHECK LOCAL CODES.

- When installed so top of seat is 432 to 483mm (17" to 19") from the finished floor.

EVERCLEAN®
Surface



2294.011EC / 2296.019EC



NOTES:

● Toilet designed to meet ADA accessibility standards when top of seat height set at 432 to 483mm (17" to 19") from finished floor.

PRODUCT 2294.011EC SHOWN, 2296.019EC SAME AS EXCEPT WITH SLOTTED RIM FOR BED PAN HOLDING.

* REQUIRES AMERICAN STANDARD KIT 736046-100 TO UPGRADE EXISTING INSTALLATION OF FLUSH VALVE AND COMPONENTS.

WASTE OUTLET SEAL RING MUST BE NEOPRENE OR GRAPHITE-FELT (WAX RING NOT RECOMMENDED).

SUGGESTED 1/16" CLEARANCE BETWEEN FACE OF WALL AND BACK OF BOWL. TO COMPLY WITH AREA CODE GOVERNING THE HEIGHT OF VACUUM BREAKER ON THE FLUSHOMETER VALVE, THE PLUMBER MUST VERIFY DIMENSIONS SHOWN FOR SUPPLY ROUGHING.

FLUSHOMETER VALVE NOT INCLUDED WITH FIXTURE AND MUST BE ORDERED SEPARATELY.

CARRIER FITTING AS REQUIRED TO BE FURNISHED BY OTHERS.

PROVIDE SUITABLE REINFORCEMENT FOR ALL WALL SUPPORTS.

IMPORTANT: Dimensions of fixtures are nominal and may vary within the range of tolerances established by ANSI Standard A112.19.2.

These measurements are subject to change or cancellation. No responsibility is assumed for use of superseded or voided pages



GENERAL DESCRIPTION:

Exposed, Battery Powered, Sensor Operated Selectronic™ Water Closet Flush Valve for floor-mounted or wall-hung 1-1/2" top spud bowls.

Inlet includes 1" I.P.S. angle stop with back-flow protection, vandal-resistant cap, sweat solder kit, cover tube and wall flange.

Outlet includes 1-1/2" vacuum breaker with adjustable tailpiece, spud coupling and flange.

PRODUCT FEATURES:

- Electronic flush valve with Selectronic™ proximity system for "Hands Free" operation
- Self-Cleaning Piston operation helps prevent clogging and reduces maintenance
- Positive seal ensures leak-free performance
- Fully mechanical Manual Override Button can flush toilet during a power outage
- Range can be adjusted manually or by remote control
- Sensor & electronic controls are fully enclosed and water resistant
- Automatically flushes after 24 hours of non-use to maintain trap seal
- Safety timer helps prevent vandalism by turning off the valve if sensor is covered for more than 1 minute
- 3-second Flush Delay
- Low Battery indicator
- Battery can be changed without turning off the water
- Factory-installed 6V lithium battery included
- Can be installed left or right-handed
- ADA compliant

MODEL NUMBER:

- ❑ **6065.121.002** Flush Valve for 11-1/2" Supply C/L to top of bowl, 1.28 gpf
- ❑ **6065.122.002** Flush Valve for 27" Supply C/L to top of bowl, 1.28 gpf
- ❑ **6065.525.002** Retrofit for Existing Flush Valves, 1.28 gpf. Replaces industry standard manual and electronic valves. Does not include the vacuum breaker assembly, angle stop or sweat solder kit.

OPERATING PRESSURE:

Overall Range: 20-125 psi**

Recommended: 25 psi (flowing)-80 psi (static)

FLOW REQUIREMENT:

25gpm (94.6 L/min.)

** Water pressure over 80 psi is not recommended for most plumbing fixtures.

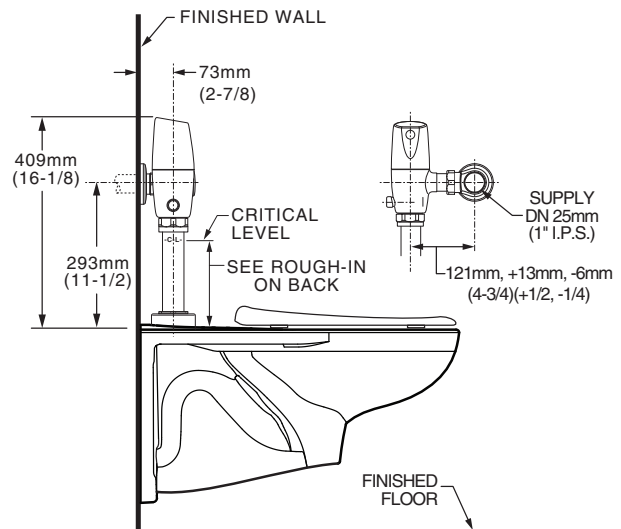
BATTERY LIFE:

Up to 4-year life, (approx. 200,000 cycles)

ACCESSORIES:

- Cast wall flanges (3/4", 1" & 1-1/2")
- Solid ring pipe supports (2-1/2" & 6" C-E)
- Split ring pipe supports (2-1/2" & 6" C-E)

**TYPICAL WATER CLOSET INSTALLATION:
AFWALL™ TOILET SHOWN**



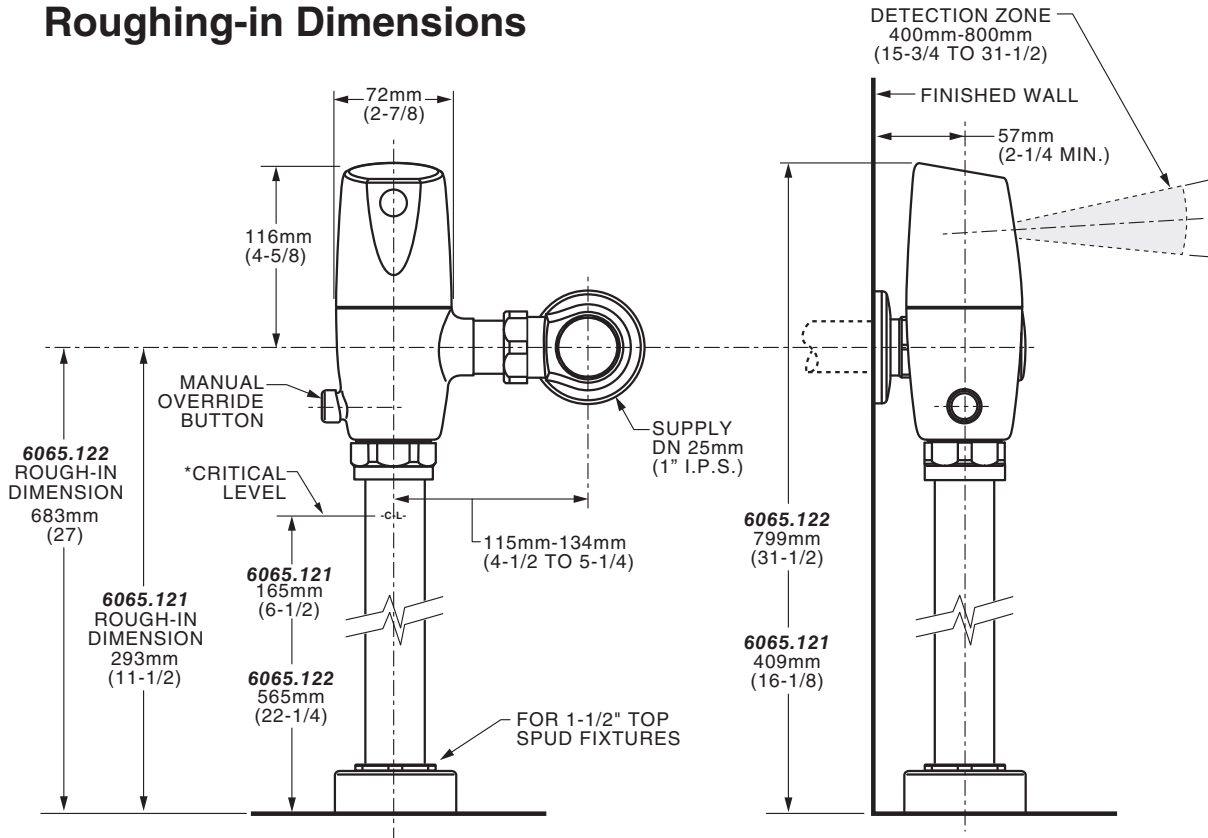
RECOMMENDED SPECIFICATION:

Electronic proximity infrared sensor activated toilet flush valve shall feature self-cleaning piston valve. Includes a fully mechanical manual over-ride that can provide a complete flush without battery power. Includes cast brass valve body and metal cover with chrome finish, vandal resistant stop cap and lithium battery. Angle stop with back-flow protection and vacuum breaker included. 1.28 gpf / 4.8 Lpf Flush valve shall be American Standard Model # 6065.12_.002.

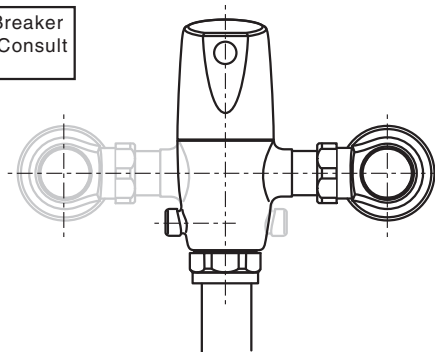
LISTINGS:

- ASSE 1037
- ANSI/ASME A112.19.2
- ADA Compliant

Roughing-in Dimensions



*Note: The Critical Line (-C-L-) on Vacuum Breaker must typically be 6" (152mm) above fixture. Consult Codes for details.



Right or Left Hand Installation

COMMERCIAL TOILET SEATS

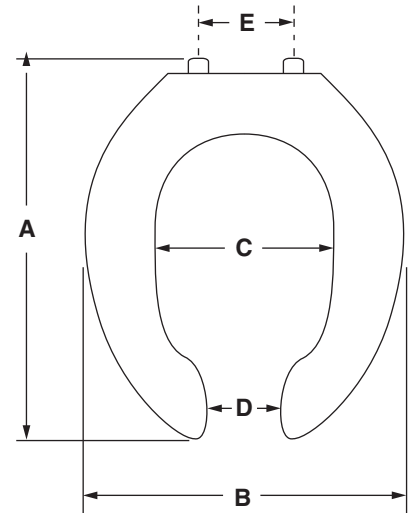
- 5901.100** Elongated Heavy Duty bowl open front seat less cover
- 5901.100SS** Same as 5901.100 with self-sustaining hinge
- 5901.110T** Same as 5901.100 with EverClean® Surface
- 5901.110T5** Master Pack of 5 - 5901.110T seats individually boxed and labeled for easy sell through

- Open front toilet seat less cover
- Injection molded solid polypropylene
- Fits elongated bowl
- Features large molded-in bumpers
- External check hinge with 304 Series stainless steel hinge posts stops seat 11° beyond vertical
- EverClean® silver-based surface permanently inhibits the growth of stain and odor causing bacteria, mold and mildew on the surface. EverClean® surface does not protect against disease causing bacteria.



5901

Model #	5901
A	18-9/16" (471mm)
B	14-3/8" (365mm)
C	7-7/8" (200mm)
D	3-1/2" (89mm)
E	5-1/2" (140mm)
Ring Thickness	7/8" (22mm)
Ring Thickness with Bumper	1" (25mm)



To Be Specified:
 Color: White