

CHAMPION® PRO™ RIGHT HEIGHT® ROUND FRONT TOILET

211BA.104

- Features **Champion® Flushing System**
- Vitreous china
- High Efficiency Toilet (HET), ultra-low consumption (1.28 gpf/4.8 Lpf), utilizes 20% less water
- Meets EPA WaterSense® Criteria (pending)
- Trade exclusive tank
- PowerWash® rim scrubs bowl with each flush
- Robust metal trip lever & metal shank fill valve
- Includes EZ-Install tools w/color match bowl caps
- EverClean® Surface included
- 4" piston-action Accelerator™ flush valve
- Fully-glazed 2-3/8" trapway
- 16-1/2" rim height for accessible applications
- 12" (305mm) rough-in
- Generous 9" x 8" water surface area
- Chrome finish trip lever is supplied
- 1,000g MaP Score** at 1.28gpf
- 10 year warranty



- 211BA.105** Same as above except with trip lever on right hand side
- 3195B.101** Right Height® Round Front Bowl
- 4225A.104** Tank

Nominal Dimensions:

718 x 483 x 785mm (28-1/4" x 19" x 30-7/8")

Fixture only, seat and supply sold separately

Alternative Tank Configurations Available:

- 4225A.154** Tank complete with Aquaguard Liner
- 4225A.164** Tank complete with tank cover locking device
- 4225A.174** Tank complete with Aquaguard Liner and tank cover locking device
- 4225A.105** Tank complete with trip lever located on right side

Compliance Certifications -

Meets or Exceeds the Following Specifications:

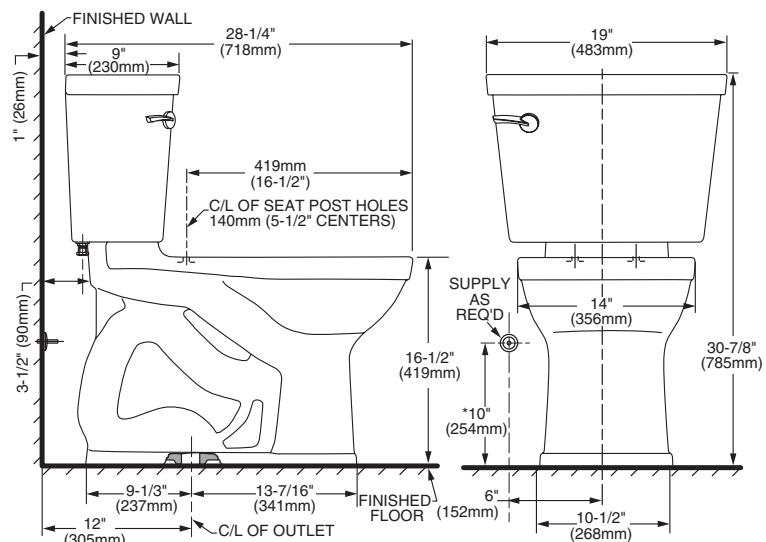
- ASME A112.19.2-2008/CSA B45.1-08 for Vitreous China Fixtures
- US EPA WaterSense® Specification for HETs

** Maximum Performance (MaP) testing performed by IAPMO R&T Lab. MaP Report conducted by Veritec Consulting, Inc. and Koeller and Company.

To Be Specified:

- Color: White Bone Linen
- Seat: #5330.010 Round Front Champion® Slow Close solid plastic seat and cover
- Supply with stop:

MEETS THE AMERICANS WITH DISABILITIES ACT GUIDELINES AND ANSI A117.1 REQUIREMENTS FOR ACCESSIBLE AND USABLE BUILDING FACILITIES-CHECK LOCAL CODES.



NOTES:

THIS TOILET IS DESIGNED TO ROUGH-IN AT A MINIMUM DIMENSION OF 305MM (12") FROM FINISHED WALL TO C/L OF OUTLET. SUPPLY NOT INCLUDED WITH FIXTURE AND MUST BE ORDERED SEPARATELY. * DIMENSION SHOWN FOR LOCATION OF SUPPLY IS SUGGESTED.

IMPORTANT: Dimensions of fixtures are nominal and may vary within the range of tolerances established by ANSI Standard A112.19.2. These measurements are subject to change or cancellation. No responsibility is assumed for use of superseded or voided pages.

Champion® **PRO**



CHAMPION® SLOW-CLOSE TOILET SEATS

- ❑ **5325.010** Elongated
- ❑ **5330.010** Round Front

- Solid plastic seat
- Closed seat with cover
- Convenient Slow-Close features prevents seat from slamming
- Unique Easy Lift off feature allows for quick removal and replacement of seat and cover for easy cleaning of toilet without any tools
- Seat complete with bolts and dual-faced adhesive
- Fits any standard elongated (5325.010) or round front (5330.010) toilets



AVAILABLE REPLACEMENT PARTS

- **760084-0070A** Toilet Seat Bolt Kit (complete with bolts, nuts and washers)



SHOWN: CONVENIENT SLOW CLOSE FEATURE



SHOWN: UNIQUE EASY LIFT OFF FEATURE

- Left - rotate hinge counter clockwise to unlock
- Center - seat removed from hinge system
- Right - rotate hinges clockwise to lock seat in place