

# INSTALLATION INSTRUCTIONS CARE AND MAINTENANCE

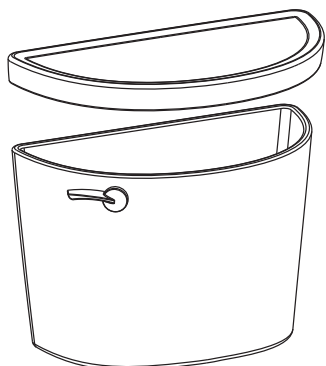


## Champion® PRO 2-piece Toilet 211AA Series Right Height® Elongated 211BA Series Right Height® Round Front 211CA Series Elongated

Thank you for selecting American Standard - the benchmark of fine quality for over 100 years. To ensure this product is installed properly, please read these instructions carefully before you begin. (Certain installations may require professional help.) Also be sure your installation conforms to local codes.

**⚠ CAUTION: PRODUCT IS FRAGILE. TO AVOID BREAKAGE AND POSSIBLE INJURY HANDLE WITH CARE!**  
NOTE: Pictures may not exactly define contour of china and components.

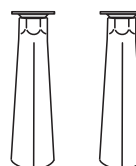
### TANK 4225A



#### EZ-INSTALL KIT INCLUDED WITH TANK



Tank To Bowl Gasket

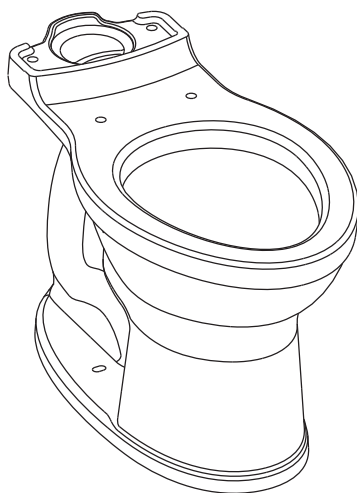


Attachment Handles with Nuts (2)

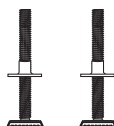


Plastic Washers (2)

### BOWL 3195A RIGHT HEIGHT® ELONGATED BOWL 3195B RIGHT HEIGHT® ROUND FRONT BOWL 3195C ELONGATED



#### EZ-INSTALL KIT INCLUDED WITH BOWL



T-Bolts with Retainer (2)

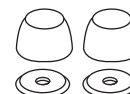


Bolt Caps (2)

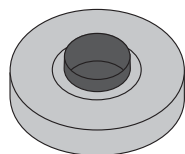


Bowl-To-Floor Knobs (2)

Also includes Standard Bolt Caps (2)



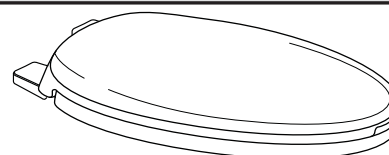
### SOLD SEPARATELY



Wax Ring



Water Supply Line



Slow Close Toilet Seat

SAVE FOR FUTURE USE



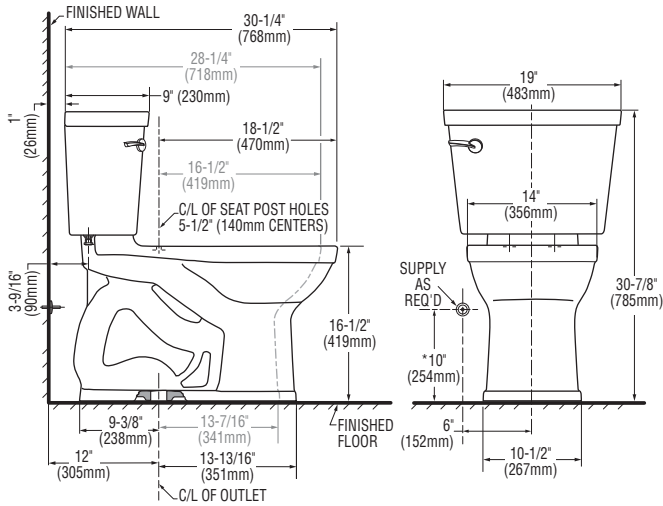
Product names listed herein are trademarks of AS America, Inc.  
© AS America, Inc. 2013

7301836-100 Rev. C

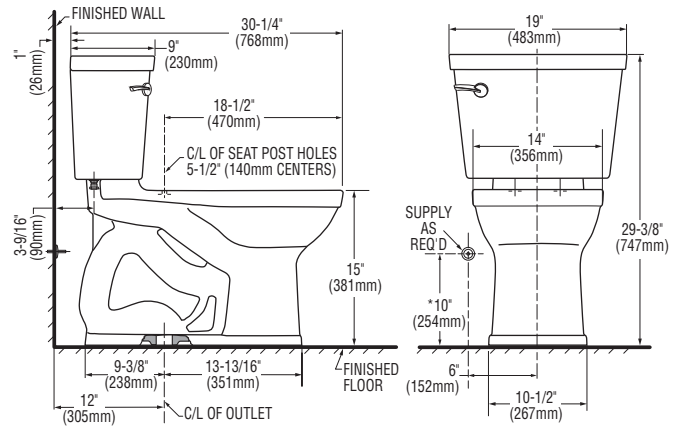
7301836-100C

**ROUGHING-IN DIMENSIONS:** NOTE: Distance from wall to closet flange centerline must be as listed below: A = 12" (305mm)

Champion® PRO 2-piece Toilet 211BA Series Right Height® Round Front/  
Champion® PRO 2-piece Toilet 211AA Series Right Height® Elongated

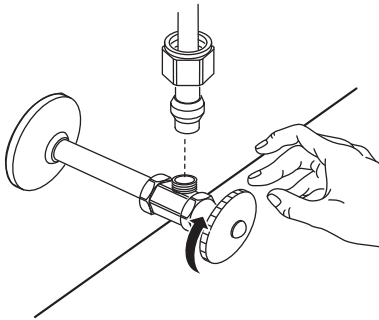


Champion® PRO 2-piece Toilet 211CA Series Normal Height Elongated



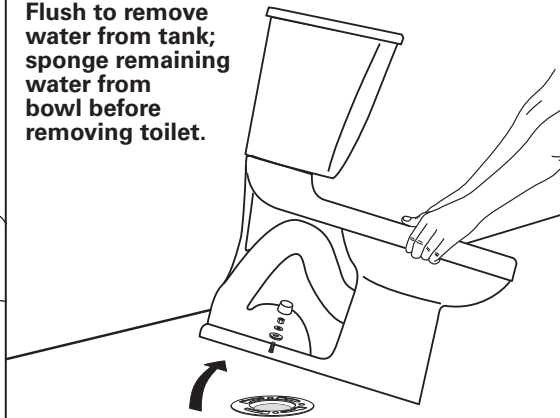
**Before You Start:**

**Turn Off Water Supply**

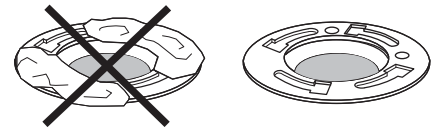


**If Removing An Existing Toilet**

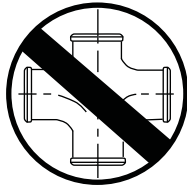
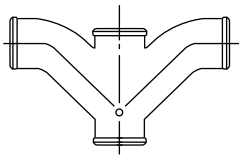
Flush to remove water from tank; sponge remaining water from bowl before removing toilet.



**Clean Flange**



**Caution:** If leaving floor flange open for more than 1-2 hours, cover flange to prevent escaping sewer gases.

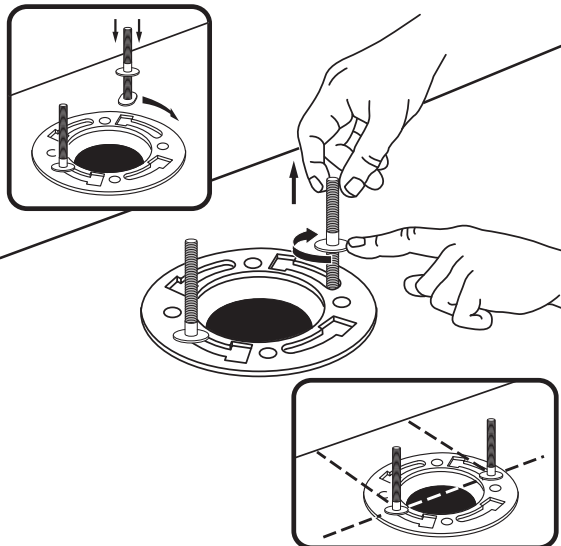


Recommended fitting type for back-to-back installations.

**BACK-TO-BACK INSTALLATION**

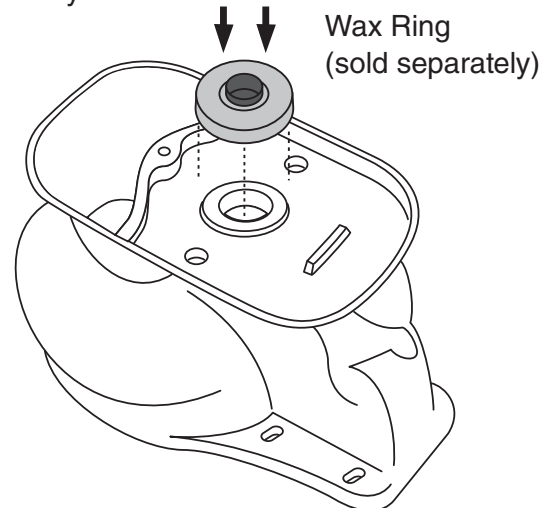
Depending upon your plumbing and venting conditions, the flow from the Champion® PRO in a back-to-back installation may create a vacuum on the system and draw water from the opposing bowl. The National Standards Plumbing Code prohibits the use of a cross fitting for drainage as throw over is possible. The code does approve a directional "Y" style fitting with proper venting to direct the water downward and away from the other toilet.

**1**



**2**

Press firmly.



3

Apply weight evenly. Do not move after placement. Water tight seal may break.

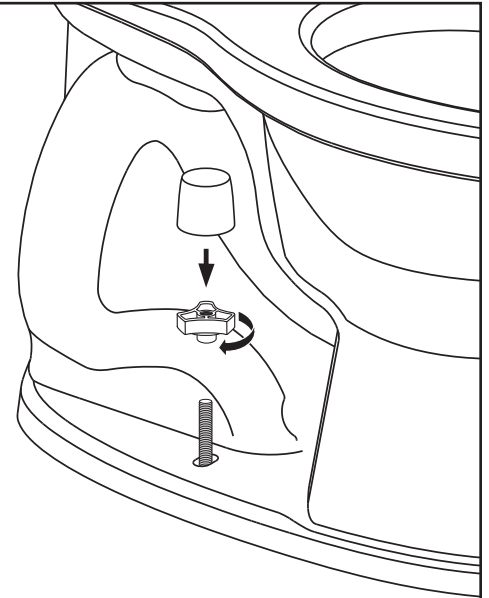


4

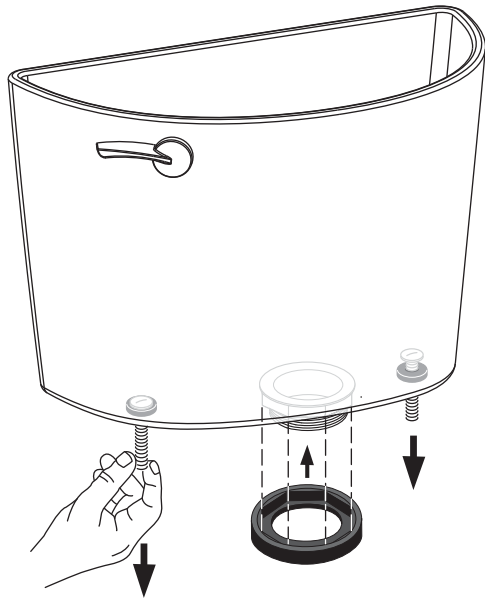
**⚠ Hand tighten only. Do not overtighten.**

**NOTE:** 1/4" EZ-BOLT AND CAP SHOWN.

IF 5/16" BOLT USE STANDARD DISK AND CAP INCLUDED.



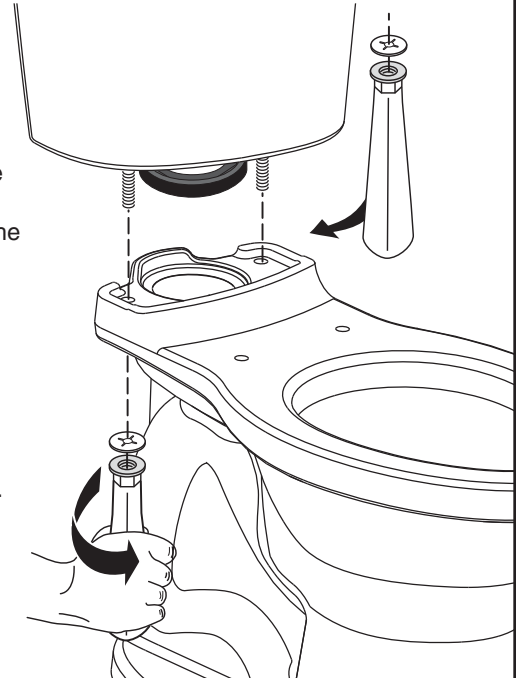
5



6

Tighten handles alternately until the tank contacts the front and back of the bowl achieving china-to-china contact.

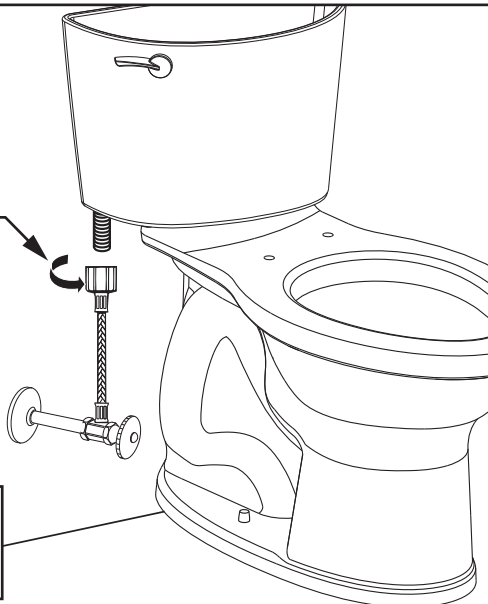
**NOTE:** To ease installation, push down on the top of the tank while tightening handles.



7

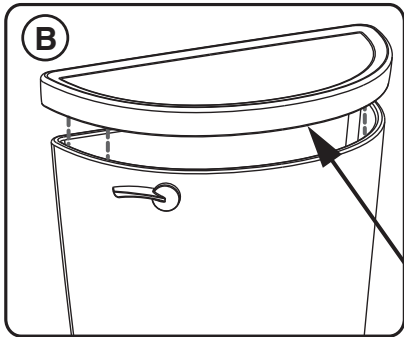
**A** Connect water supply line. (Sold separately) Hand tighten nut.

**B** Turn on water supply.

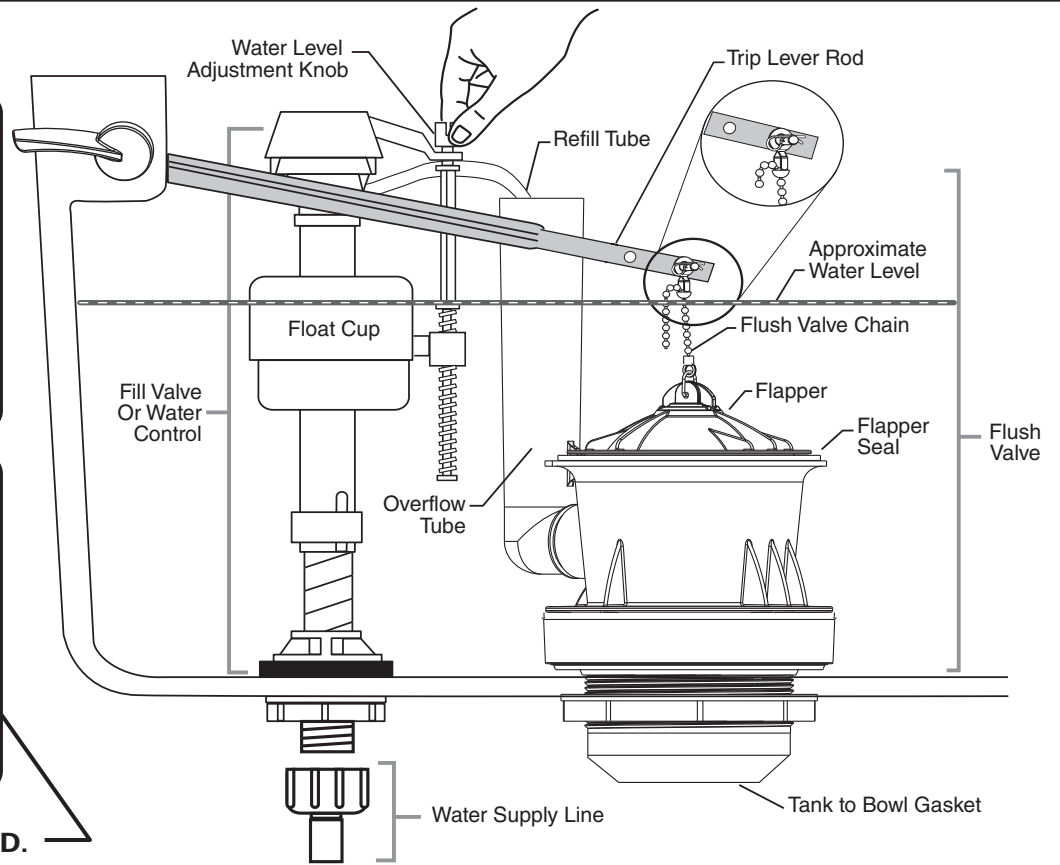


**⚠ WARNING:** Overtightening of water supply line nuts could result in breakage and potential flooding. If the connection leaks after hand tightening, replace the supply line. Do not use any type of sealant on the water supply connection. Use of plumber's putty, pipe dope, or any other type of sealant will void the warranty.

**A**  
Adjust water level to level indicated on tank by turning water level adjustment knob to move float cup up or down.



**REPAIR PARTS LABEL LOCATED UNDER TANK LID.**



**CARE AND CLEANING**

When cleaning your toilet, wash it with mild, soapy water, rinse thoroughly with clear water and dry with a soft cloth.

**WARNING:** Do not use in-tank cleaners. These products can seriously corrode fittings in the tank. This damage can cause leakage and property damage. American Standard shall not be responsible or liable for any damage caused by the use of in-tank cleaners.

**TROUBLESHOOTING GUIDE - See Step 8 For Diagram**

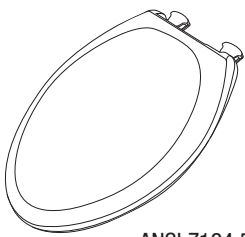
Problem	Possible Cause	Corrective Action
Does not flush	<ul style="list-style-type: none"> <li>a. Water supply valve closed.</li> <li>b. Supply line blocked.</li> <li>c. Flush valve chain too loose or disconnected.</li> <li>d. Sand or debris lodged in water control.</li> </ul>	<ul style="list-style-type: none"> <li>a. Open valve and allow water to fill tank.</li> <li>b. Shut off water supply, disconnect supply line and inspect all gaskets and washers. Reassemble.</li> <li>c. Readjust chain length as required.</li> <li>d. Shut off water supply. Remove cap and clean as per Fluidmaster maintenance instructions at: <a href="http://www.americanstandard-us.com/enews/fluidmasterguide.pdf">www.americanstandard-us.com/enews/fluidmasterguide.pdf</a></li> </ul>
Poor or sluggish flush	<ul style="list-style-type: none"> <li>a. Bowl water level too low.</li> <li>b. Supply valve partly closed.</li> <li>c. Partially clogged trapway and/or drain pipe and/or vent.</li> <li>d. Supply pressure too low.</li> </ul>	<ul style="list-style-type: none"> <li>a. Check that refill tube is connected to water control and inserted into overflow tube without being kinked or damaged.</li> <li>b. Open supply valve fully. Be sure that proper supply tube size is used.</li> <li>c. Remove obstruction. Consult a plumber if necessary.</li> <li>d. Normal supply pressure must be at least 20 psi.</li> </ul>
Toilet leaks	<ul style="list-style-type: none"> <li>a. Poor supply line connection.</li> <li>b. Poor bowl to tank/floor connection.</li> </ul>	<ul style="list-style-type: none"> <li>a. Review Step 7 of installation procedure.</li> <li>b. Review Step 1 through 6 of installation procedure.</li> </ul>
Toilet does not shut off	<ul style="list-style-type: none"> <li>a. Flapper seal leaking or deformed.</li> <li>b. Sand or debris lodged in water control.</li> <li>c. Flush valve chain too tight, holding flapper open.</li> </ul>	<ul style="list-style-type: none"> <li>a. Clean debris from seal surface. Replace flapper seal as needed. See web for more info.</li> <li>b. Shut off water supply. Remove cap and clean as per Fluidmaster maintenance instructions at: <a href="http://www.americanstandard-us.com/enews/fluidmasterguide.pdf">www.americanstandard-us.com/enews/fluidmasterguide.pdf</a></li> <li>c. Readjust chain length as needed.</li> </ul>
Toilet bowl rocks after installation	<ul style="list-style-type: none"> <li>a. Wax ring not fully compressed.</li> <li>b. Floor not level.</li> </ul>	<ul style="list-style-type: none"> <li>a. Retighten bowl-to-floor knobs.</li> <li>b. Use toilet shims and /or place a bead of caulk around the base of the toilet.</li> </ul>

**FOR REPAIR PARTS LIST, SEE LABEL UNDER TANK LID.**

**In the United States:**  
American Standard Brands  
P.O. Box 6820  
Piscataway, New Jersey 08855  
Attention: Director of Customer Care  
For residents of the United States, warranty information may also be obtained by calling the following toll free number: (800) 442-1902  
[www.americanstandard.com](http://www.americanstandard.com)

**In Canada:**  
AS Canada, ULC  
5900 Avebury Rd.  
Mississauga, Ontario  
Canada L5R 3M3  
Toll Free: (800) 387-0369  
[www.americanstandard.ca](http://www.americanstandard.ca)

**In Mexico:**  
American Standard B&K Mexico  
S. de R.L. de C.V.  
Via Morelos #330  
Col. Santa Clara  
Ecatepec 55540 Edo. Mexico  
Toll Free: 01-800-839-1200  
[www.americanstandard.com.mx](http://www.americanstandard.com.mx)



ANSI Z124.5

# CHAMPION® SLOW CLOSE TOILET SEAT ASIENTO "CHAMPION SLOW CLOSE" SIÈGE DE TOILETTE CHAMPION® SLOW CLOSE

MODELS 5330.010, 5325.010  
MODELOS 5330.010, 5325.010  
MODÈLE 5330.010, 5325.010



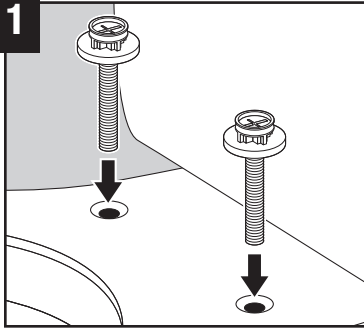
TM

To ensure that your installation proceeds smoothly, please read these instructions carefully before you begin.

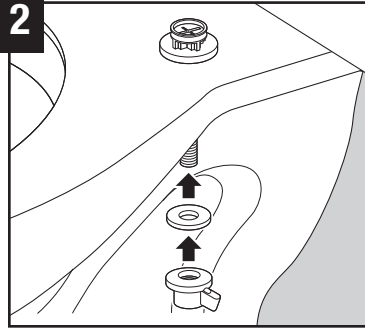
Para asegurarse de una instalación sin problemas, favor de leer estas instrucciones cuidadosamente antes de empezar.

Pour s'assurer d'une installation sans inconvénients, veuillez lire attentivement ces instructions avant de commencer.

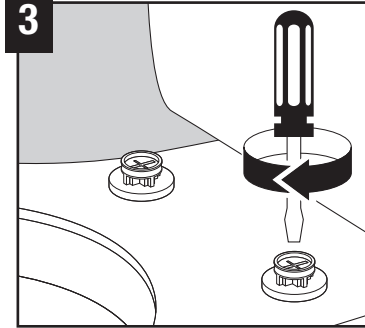
## Installation Instructions Instrucciones para instalación Instructions D'Installation



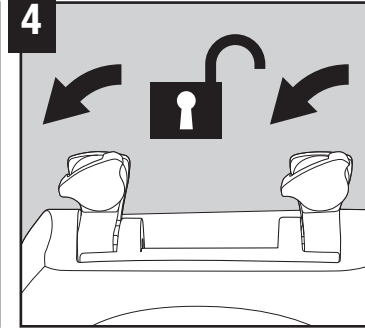
**1**



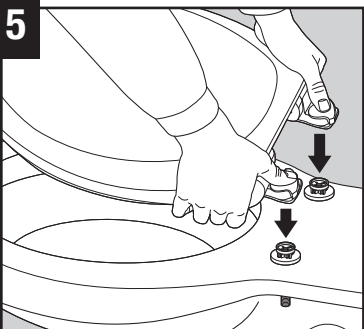
**2**



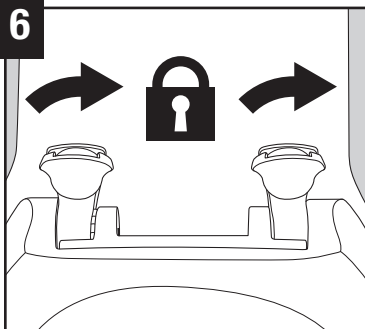
**3**



**4**



**5**



**6**

**7** After installation, check the tightness of the bolts to ensure a tight fit.

Después de la instalación, verifique que los tornillos estén apretados bien para tener un buen ajuste.

Une fois l'installation terminée, vérifiez à l'occasion si les boulons sont bien serrés pour vous assurer d'un bon ajustement.

## CARE AND CLEANING...

To facilitate cleaning, the toilet seat may be removed by following the instructions below. When cleaning your toilet seat, wash it with mild, soapy water: rinse the seat thoroughly with clear water and dry with a soft cloth. Avoid detergents, disinfectants, or cleaning products in aerosol cans. NEVER use abrasive scouring powders on your seat. Some bathroom chemicals and cosmetics may damage the seat's finish.

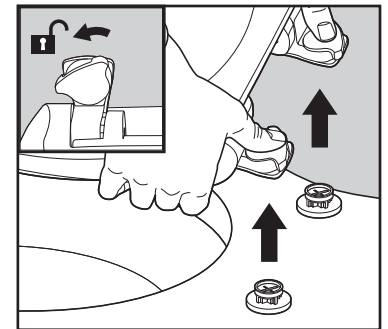
## Mantenimiento y Limpieza...

Para limpiar sue inodoro, lávelo en agua preparada con jabón suave, enjuague bien con agua clara y seque con una franela suave. Evite detergentes, desinfectantes, o limpiadores en latas de aerosol. NUNCA use polvos fregados abrasivos o almohadillas abrasivas en el asiento de su inodoro. Algunas sustancias químicas para el baño y cosméticos pueden hacer daño al acabado del asiento. Después de la instalación, periódicamente verifique que los tornillos estén apretados bien para tener un buen ajuste.

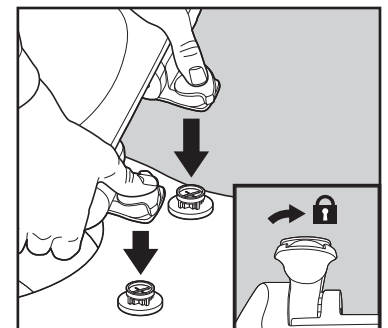
## ENTRETIEN ET NETTOYAGE

Afin de faciliter le nettoyage, la siège de toilette peut être retiré en suivant les instructions présentées ci-dessous. Lorsque vous nettoyez le siège de toilette, lavez-le à l'eau tiède savonneuse. Rincez à fond à l'eau claire et essuyez le siège à l'aide d'un chiffon doux. Evitez les détergents, les désinfectants ou les produits de nettoyage présentés sous forme de bombe aérosol. N'utilisez JAMAIS sur le siège de poudres à récurer abrasives. Certains produits chimiques et cosmétiques pour la salle de bain peuvent endommager le fini du siège. Une fois l'installation terminée, vérifiez si les boulons sont bien serrés pour vous assurer d'un ajustement serré.

## REMOVE Para Remover POUR ENLEVER



## REPLACE Para Reinstalar POUR REPLACER



## AVAILABLE REPLACEMENT PARTS / Piezas de Reemplazo Disponibles / PIÈCES DE RECHANGE DISPONIBLES

PART NUMBER	PART DESCRIPTION	Seat Post Mounting Kit
Número de Parte	Descripción de Parte	Kit de Montaje del Poste del Asiento
NUMÉRO DE LA PIÈCE	DESCRIPTION DE LA PIÈCE	Trousse d'assemblage
760084-0070A		

**AMERICAN STANDARD TEN-YEAR LIMITED WARRANTY  
CHAMPION® SLOW CLOSE TOILET SEAT**

If inspection of this American Standard plumbing product, within ten years after its initial installation, confirms that it is defective in materials or workmanship, American Standard will repair or, at its option, exchange the product for a similar model.

This limited warranty **does not apply** to local building code compliance. Since local building codes vary considerably, the purchaser of this product should check with a local building or plumbing contractor to ensure local code compliance before installation.

This warranty **shall be void** if the product has been moved from its initial place of installation; if it has been subjected to faulty maintenance, abuse, misuse, accident or other damage; if it was not installed in accordance with American Standard's instructions; or if it has been modified in a manner inconsistent with the product as shipped by American Standard.

American Standard's option to repair or exchange the product under this warranty does not cover any labor or other costs of removal or installation, **nor shall American Standard be responsible for any other incidental or consequential damages attributable to a product defect or to the repair or exchange of a defective product, all of which are expressly excluded from this warranty.** (Some states or provinces do not allow the exclusion or limitation of implied warranties, so this exclusion may not apply to you.)

This warranty gives you specific legal rights. You may have other statutory rights that vary from state to state or from province to province, in which case this warranty does not affect such statutory rights.

For service under these warranties, it is suggested that a claim be made through the contractor or dealer from or through whom the product was purchased, or that a service request (including a description of the product model and of the defect) be sent to the following address:

**Diez Años de garantía limitada de American Standard para el  
Asiento "CHAMPION SLOW CLOSE"**

Si dentro de diez años después de la instalación original de este producto de plomería de American Standard, se confirma que tiene defectos de manufactura o de fabricación, American Standard reparará, o por decisión propia, cambiará el producto por un modelo similar.

Esta garantía limitada no se aplica al cumplimiento de los códigos locales de construcción, debido a que éstos varían considerablemente. Antes de instalar este producto, el comprador debe verificar con un contratista local de construcción o de plomería que el mismo cumple con los códigos locales de construcción.

Esta garantía no es válida si el producto ha sido movido del lugar original de su instalación, si ha estado sometido a un mantenimiento pobre, abusado, mal usado, accidentado, u otros daños; si fue instalado sin seguir las instrucciones de American Standard; o si fue modificado de una forma que no es consistente con el producto enviado por American Standard.

La opción de American Standard para reparar o reemplazar este producto bajo esta garantía no incluye la mano de obra ni otros costos incurridos para removerlo o instalarlo. También queda expresamente excluido de esta garantía que American Standard no será responsable por otros daños directos o indirectos que puedan atribuirse al defecto del producto o a la reparación o cambio del producto defectuoso. (Algunos estados o territorios no permiten esta excepción o limitación de garantías implícitas. Por lo tanto, puede que este excepción no se aplique a su caso.)

Esta garantía le provee a usted derechos legales específicos. Puede que usted tenga otros derechos debido a estatutos que varían de estado a estado o entre los territorios, en cuyo caso esta garantía no afecta estos derechos por estatutos.

Para servicios bajo esta garantía, se sugiere que las reclamaciones sean presentadas al contratista o distribuidor donde se compró el producto o para solicitud de servicio (incluyendo el modelo del producto y una descripción del defecto) sea enviada a la siguiente dirección.

**The United States**

American Standard Inc.  
P.O. Box 6820  
Piscataway, New Jersey 08855  
Attention: Director of Consumer Affairs

For residents of the United States, warranty information may also be obtained by calling the following toll free number: (800) 442-1902

**Canada**

American Standard  
2480 Stanfield Rd.  
Mississauga, Ontario  
Canada L4Y 1S2

Sans frais: (800) 387-0369

**México**

Gerente de servicio al cliente  
Ideal Standard, S.A. de C.V.  
Vía Morelos #330  
Col. Santa Clara  
Escatepec 55540 Edo. México

**GARANTIE LIMITÉE DIX ANS AMERICAN STANDARD  
SIEGE DE TOILETTE CHAMPION® SLOW CLOSE**

Si une inspection de ce produit de plomberie American Standard, dans un délai de dix (10) ans suite à l'installation initiale, confirme un défaut de matériau ou de fabrication, American Standard s'engage à réparer le produit ou à l'échanger contre un modèle semblable, à sa discrétion.

Cette garantie **ne s'applique pas** aux conformités des codes du bâtiment locaux. Vu que les codes du bâtiment locaux varient largement, l'acheteur de ce produit devrait vérifier auprès d'un entrepreneur en plomberie ou en bâtiment local les codes locaux auxquels il doit se conformer, avant l'installation.

Cette garantie **deviendra nulle et sans effet** si le produit a été déplacé de l'endroit d'installation initial; s'il a été soumis à un mauvais entretien, à l'abus, à une mauvaise utilisation, un accident ou autres dommages; s'il n'a pas été installé selon les instructions d'American Standard; ou s'il a été modifié d'une manière incompatible au produit tel que livré par American Standard.

L'option d'American Standard de réparer ou échanger le produit selon les conditions de cette garantie n'inclut aucuns frais pour la main-d'oeuvre ou autres frais encourus pour l'enlèvement ou l'installation, **ni aucune responsabilité d'American Standard pour tous dommages indirects ou accidentels, attribuables à un défaut dans le produit, ou à la réparation ou l'échange d'un produit défectueux, étant tous expressément exclus de cette garantie.** (Certains états ou provinces ne permettent pas d'exclusion ou de limitation des garanties implicites; cette exclusion peut donc ne pas s'appliquer à vous.)

Cette garantie vous donne des droits légaux spécifiques. Vous pouvez avoir d'autres droits statutaires qui varient d'un état à l'autre ou d'une province à l'autre, dans lequel cas cette garantie n'affecte pas ces droits statutaires.

Pour obtenir le service offert sous ces garanties, nous suggérons de faire une réclamation à l'entrepreneur ou au détaillant par lequel ou chez lequel le produit a été acheté ou de placer une demande de service (incluant une description du modèle du produit et de la défectuosité) en la faisant parvenir:

All product names listed herein are trademarks of American Standard Inc. unless otherwise noted.

Los nombres de los productos incluidos en este manual son marcas registradas de American Standard Inc.

Les noms des produits énumérés aux présentes sont des marques de commerce d'American Standard inc. sauf avis contraire.

FOR AFTER-SALES SERVICE CALL 1 (800) 442-1902. WEEKDAYS.

Para servicio después del horario normal de ventas, puede llamar al teléfono 1-800-442-1902 lunes a viernes.

SERVICE APRES-VENTE: COMMUNIQUEZ AU 1-800-442-1902 (DU LUNDI AU VENDREDI).

1B 599 6870

760054-100

©2005