



ULTIMA™ VORMAX™ HET RIGHT HEIGHT® ELONGATED COMPLETE TOILET

VITREOUS CHINA

BARRIER FREE

ULTIMA™ VORMAX™ HET RIGHT HEIGHT® ELONGATED COMPLETE TOILET

203AA.104

- VorMax Flushing System cleans 2 times better than conventional toilets*
- CleanCurve™ Rim eliminates the rim area where dirt and buildup hide
- EverClean® surface inhibits the growth of stain- and odor-causing bacteria, mold and mildew on the surface
- Meets definition for HET (High Efficiency Toilet)
- High efficiency (4.8 Lpf/1.28 gpf)
- Meets EPA WaterSense® criteria
- 305mm (12") rough-in
- Comfortable 16-1/2" rim height for ADA accessible applications
- Superior solid waste removal with a 2-1/16" fully glazed trapway
- Generous 9" x 8" water surface area
- Dual Injection Flush Valves
- Chrome-plated handle
- 2 color-matched bolt hole covers
- 100% factory flush tested
- Lifetime warranty on chinaware and 10 year warranty on all mechanical parts



Seat sold separately.

SEE REVERSE FOR ADDITIONAL
ROUGHING-IN DIMENSIONS

Nominal Dimensions:

30-5/8" x 17-1/2" x 30-11/16"
(778 x 444 x 780mm)

Supply line not included.

Compliance Certifications -

Meets or Exceeds the Following Specifications:

- ASME A112.19.2-2008/CSA B45.1-08 for Vitreous China Fixtures
- US EPA WaterSense® Specification for HET's

Δ **Source:** IAPMO R&T Labs Test Report No.109-141486-002, comparing VorMax™ against conventional under-the-rim-water-dispersal toilets from major retailers.

To Be Specified:

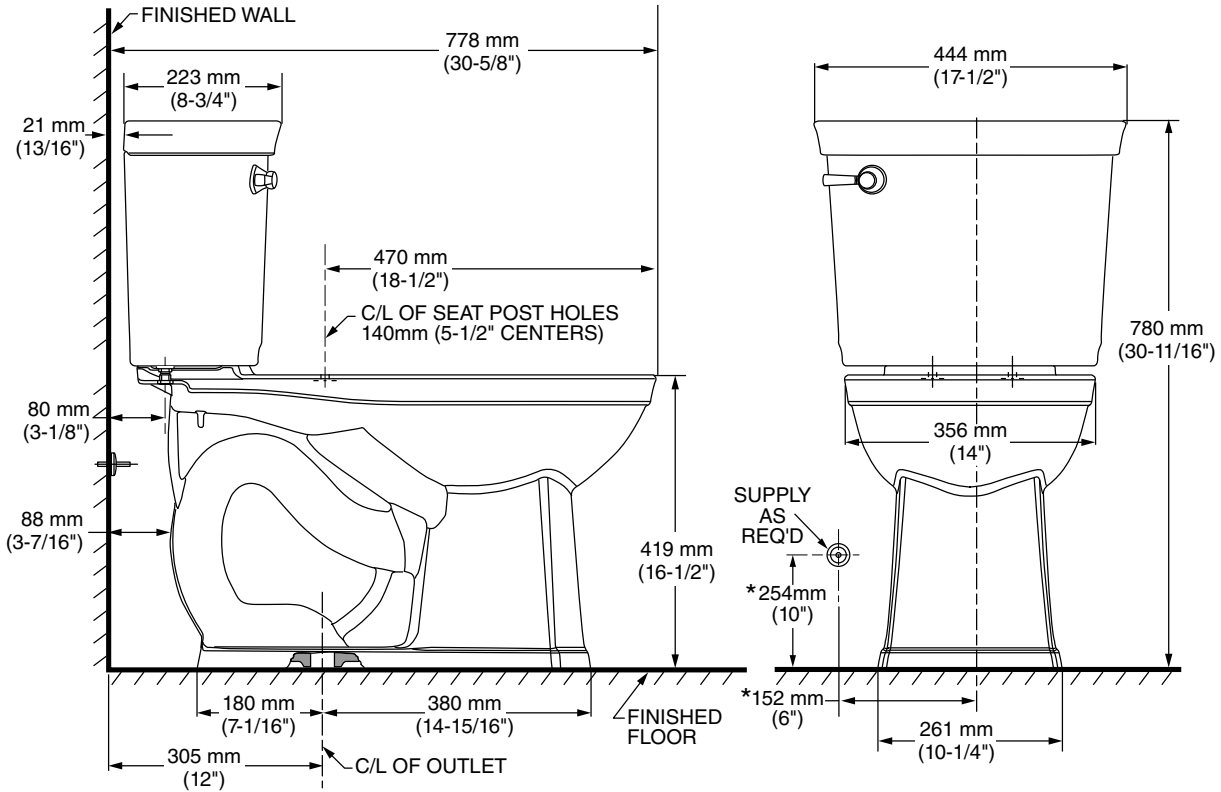
- Color: White
- Supply with stop:



MEETS THE AMERICANS WITH DISABILITIES ACT GUIDELINES AND ICC ANSI A117.1 REQUIREMENTS FOR ACCESSIBLE AND USABLE BUILDING FACILITIES-CHECK LOCAL CODES.

EVERCLEAN®
Surface





NOTES:
THIS TOILET IS DESIGNED TO ROUGH-IN AT A MINIMUM DIMENSION OF 305mm (12") FROM FINISHED WALL TO C/L OF OUTLET.
SUPPLY NOT INCLUDED WITH FIXTURE AND MUST BE ORDERED SEPARATELY.
* DIMENSION SHOWN FOR LOCATION OF SUPPLY IS SUGGESTED.

IMPORTANT: Dimensions of fixtures are nominal and may vary within the range of tolerances established by ANSI Standard A112.19.2. These measurements are subject to change or cancellation. No responsibility is assumed for use of superseded or voided pages.

CHAMPION® SLOW-CLOSE TOILET SEATS

- ❑ **5325.010** Elongated
- ❑ **5330.010** Round Front

- Solid plastic seat
- Closed seat with cover
- Convenient Slow-Close features prevents seat from slamming
- Unique Easy Lift off feature allows for quick removal and replacement of seat and cover for easy cleaning of toilet without any tools
- Seat complete with bolts and dual-faced adhesive
- Fits any standard elongated (5325.010) or round front (5330.010) toilets



AVAILABLE REPLACEMENT PARTS

- **760084-0070A** Toilet Seat Bolt Kit (complete with bolts, nuts and washers)



SHOWN: CONVENIENT SLOW CLOSE FEATURE



SHOWN: UNIQUE EASY LIFT OFF FEATURE

- Left - rotate hinge counter clockwise to unlock
- Center - seat removed from hinge system
- Right - rotate hinges clockwise to lock seat in place