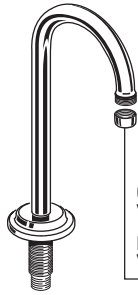


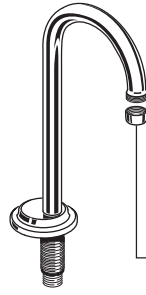
## SPREAD LAVATORY FAUCETS

MODEL NUMBERS

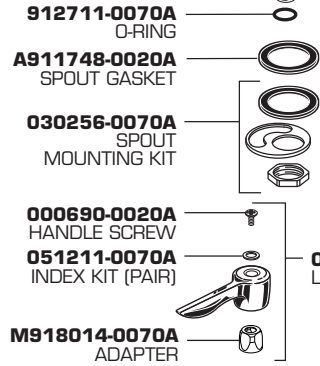
**6500 6530**  
**6502 6532**



**066074-0070A**  
VR AERATOR, 0.5gpm  
**M922858-0020A**  
VR AERATOR, 0.35gpm



**066074-0070A**  
VR AERATOR, 0.5gpm  
**M922858-0020A**  
VR AERATOR, 0.35gpm



**912711-0070A**  
O-RING  
**A911748-0020A**  
SPOUT GASKET  
**030256-0070A**  
SPOUT MOUNTING KIT  
**000690-0020A**  
HANDLE SCREW  
**051211-0070A**  
INDEX KIT (PAIR)

**051210-0020A**  
LEVER HANDLE

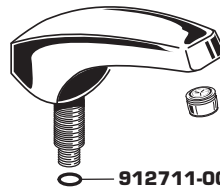
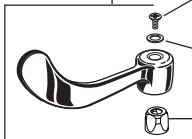
**M918014-0070A**  
ADAPTER

**051217-0020A**  
WRIST BLADE HANDLE

**051322-0020A**  
VANDAL PROOF SCREW  
**000690-0020A**  
HANDLE SCREW

**051211-0070A**  
INDEX KIT

**M918014-0070A**  
ADAPTER



**M964481-0070A**  
AERATOR 1.2 GPM  
**066508-0020A**  
AERATOR 0.5VR GPM  
**M922286-0020A**  
AERATOR 0.35 GPM

**912711-0070A**  
O-RING

**904939-0020A**  
BONNET NUT

**951764-0070A**  
CARTRIDGE

**051212-0020A**  
ESCUTCHEON KIT

**051213-0070A**  
VALVEMOUNTING KIT

**024220-0070A**  
COUPLING NUT

**028757-0070A**  
SPOUT GASKET

**030256-0070A**  
SPOUT MOUNTING KIT

**012112-0070A**  
TUBE SEAL & COUPLING KIT

**033757-0070A**  
TEE MOUNTING KIT

**012111-0070A**  
TUBE & TEE KIT (8" CENTERS)

**066064-0070A**  
TUBE & TEE KIT (12" CENTERS)

**033757-0070A**  
TEE MOUNTING KIT

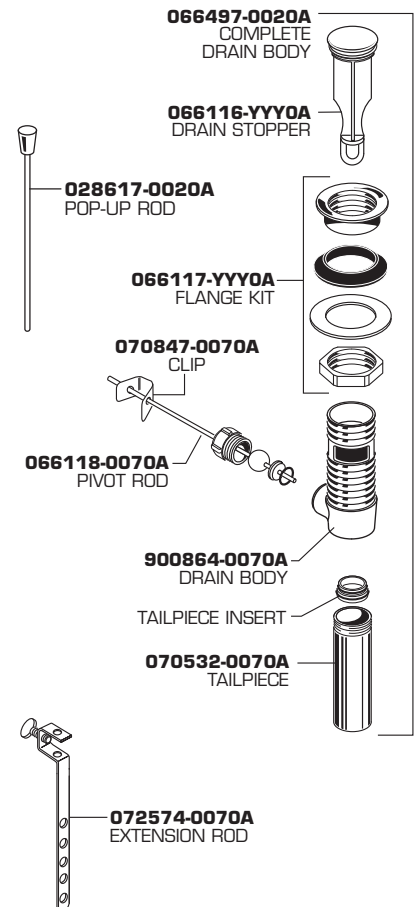
**M970033-0070A**  
FLEXIBLE HOSE & TEE KIT



**015025-YYY0A**  
DRAIN COMPLETE

**070532-0040A**  
TAILPIECE

### FOR PRODUCTS SOLD BEFORE 1/1/16



**066497-0020A**  
COMPLETE DRAIN BODY

**066116-YYY0A**  
DRAIN STOPPER

**028617-0020A**  
POP-UP ROD

**066117-YYY0A**  
FLANGE KIT

**070847-0070A**  
CLIP

**066118-0070A**  
PIVOT ROD

**900864-0070A**  
DRAIN BODY

TAILPIECE INSERT

**070532-0070A**  
TAILPIECE

**072574-0070A**  
EXTENSION ROD

#### HOT LINE FOR HELP

For toll-free information and answers to your questions, call:  
1 (800) 442-1902  
Mon. - Fri. 8:00 a.m. to 8:00 p.m. EST  
Saturday 10:00 a.m. to 4:00 p.m. EST  
IN CANADA 1-800-387-0369  
(TORONTO 1-905-306-1093)  
Weekdays 8:00 a.m. to 7:00 p.m. EST  
IN MEXICO 01-800-839-1200



Product names listed herein are trademarks of AS America, Inc.  
© AS America, Inc. 2015